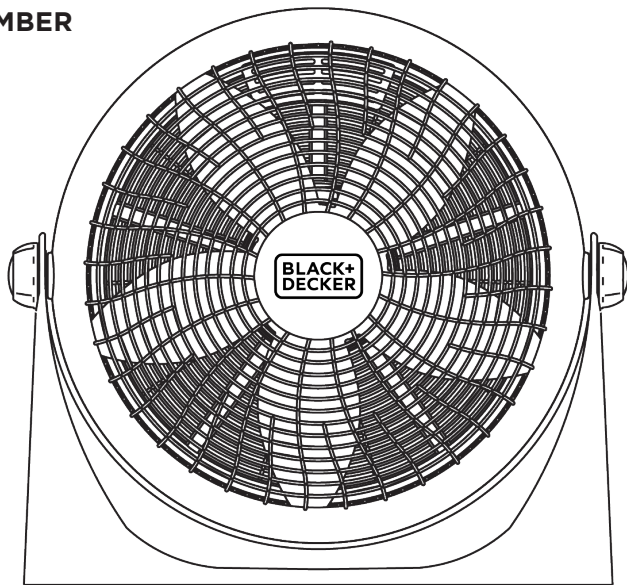


BLACK+[®] DECKER

16 IN. FLOOR FAN INSTRUCTION MANUAL

CATALOG NUMBER

BFF16B



Thank you for choosing BLACK+DECKER!

PLEASE READ BEFORE RETURNING THIS PRODUCT FOR ANY REASON.

If you have a question or experience a problem with your BLACK+DECKER purchase, go to www.blackanddecker.com/instantanswers

If you can't find the answer or do not have access to the Internet, call 844-299-0879 from 9:00 a.m. to 7:00 p.m. EST Mon. - Fri. to speak with an agent. Please have the catalog number available when you call.

SAVE THIS MANUAL FOR FUTURE REFERENCE.

CONTENTS

SAFETY INFORMATION

Important Safety Instructions.....	4-5
Electrical Requirements.....	5

SET UP & USE

Parts & Features.....	6
Operation Of Your Fan	7
Replacing the Fuse.....	8

CLEANING & CARE.....	8
---------------------------------	----------

TROUBLESHOOTING & WARRANTY

Before You Call For Service.....	9
Customer Service.....	9
Troubleshooting.....	10
Limited Warranty.....	11

PRODUCT REGISTRATION

Thank you for purchasing our BLACK+DECKER product. This easy-to-use manual will guide you in getting the best use of your fan.

Remember to record the model and serial numbers. They are on a label on the rear.

Model number

Serial number

Date of purchase

Staple your receipt to your manual.
You will need it to obtain warranty service.

SAFETY INFORMATION



DANGER

DANGER - Immediate hazards which **WILL** result in severe personal injury or death



WARNING

WARNING - Hazards or unsafe practices which **COULD** result in severe personal injury or death



CAUTION

CAUTION - Hazards or unsafe practices which **COULD** result in minor personal injury

IMPORTANT SAFETY INSTRUCTIONS



WARNING

When using electrical appliances, basic safety precautions should be followed, including the following

1. READ ALL INSTRUCTIONS BEFORE USE
2. Never insert fingers, pencils, or any other object through the grill when fan is running
3. Disconnect fan when moving from one location to another.
4. Disconnect fan when not in use and before cleaning and servicing.
5. To protect against risk of electrical shock, do not immerse fan in water or any other liquid.
6. Do not let cord hang over edge of table or counter.
7. Be sure fan is on a stable surface when operating to avoid overturning.
8. Do not use fan in window. Rain may create electrical hazard.
9. Close supervision is necessary when any appliance is used by or near children.
10. This product employs overload protection (fuse). A blown fuse indicates an overload or short-circuit situation. If the fuse blows, unplug the product from the outlet. Replace the fuse as per the user manual (follow product marking for proper fuse rating) and check the product. If the replacement fuse blows, a short-circuit may be present and the product should be discarded or returned to an authorized service facility for examination and/or repair.
11. Do not operate any fan with a damaged cord or plug. Discard fan or return to an authorized service facility for examination and/or repair.
12. Do not run cord under carpeting. Do not cover cord with throw rugs, runners, or similar coverings. Do not route cord under furniture or appliances. Arrange cord away from traffic area and where it will not be tripped over.
13. To Reduce The Risk Of Fire Or Electric Shock, Do Not Use This Fan With Any Solid-State Speed Control Device.
14. Do not use outdoors.

SAFETY INFORMATION

READ AND SAVE THESE INSTRUCTIONS HOUSEHOLD USE ONLY

ELECTRICAL REQUIREMENTS

This appliance has a polarized plug (one blade is wider than the other). To reduce the risk of electric shock, this plug is intended to fit into a polarized outlet only one way. If the plug does not fit into the outlet, reverse the plug. If it still does not fit, contact a qualified electrician. Do not attempt to modify the plug in any way.

DOUBLE INSULATION

Double insulated appliances are constructed throughout with two separate layers of electrical insulation or one single layer of reinforced insulation between the user and the appliance's electrical system. Products built with this insulation system are not intended to be grounded. As a result, this appliance is equipped with a two-prong plug which permits it to be used without concern for maintaining a ground connection.

NOTE: Double insulation does not take the place of normal safety precautions when operating this appliance. The secondary insulation system is for protection against injury resulting from a possible failure of the primary insulation within the product.

 **CAUTION:** WHEN SERVICING USE ONLY IDENTICAL REPLACEMENT PARTS.

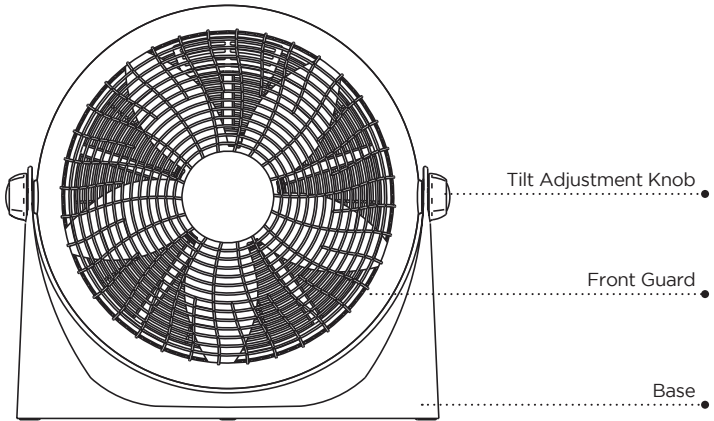
POWER SUPPLY CORD

1. If the power supply cord is too short, do not use an extension cord. Have a qualified electrician or service person install an outlet near the appliance.

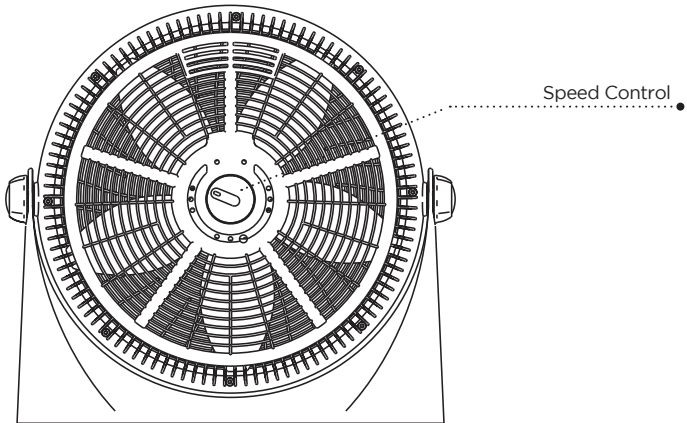
SET UP & USE

PARTS & FEATURES

FRONT







BACK

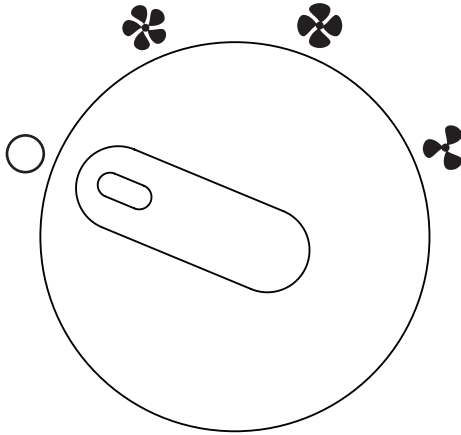


SET UP & USE

OPERATION OF YOUR FAN

SPEED CONTROL

The speed control is located on the rear side of the fan in the center of the grill. Turn the knob to move from OFF  to either HIGH  MEDIUM  or LOW  speed. Turn the knob to the OFF position at any time to power off the unit.



WARNING: To avoid injury when directing airflow, do not rest hands on base while pushing on guards.

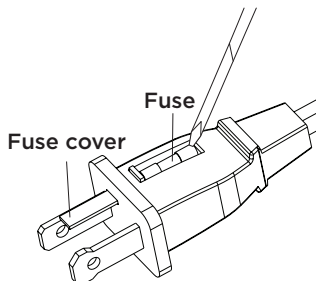
SET UP & USE

REPLACING THE FUSE

⚠ CAUTION: Turn off fan and disconnect plug from power source before replacing fuse.

- Open fuse cover located on the side of the power cord plug by sliding it toward the plug blades
- Remove fuse carefully by taking a small tool and slowly prying out one end. Once you have one end out, slowly pry out the other end.
- To avoid the risk of fire, replace only with 2.5 Amp, 125V fuse.
- Close fuse cover by sliding cover toward the top of the plug.

⚠ CAUTION: Risk of fire. Do not replace attachment plug. Contains a safety device (fuse) that should not be removed. Discard product if the attachment plug is damaged.



CLEANING AND MAINTENANCE

⚠ WARNING: Be sure to turn off fan and unplug from the electrical supply source before cleaning.

Be sure not to get water or any other liquid inside the motor.
Do not disassemble the fan for cleaning.

- To ensure adequate air circulation to the motor, keep vents at the rear of the motor housing free of dust, debris, etc. Unplug fan before using a vacuum cleaner to clean these vents. Do not disassemble the fan motor to clean.
- Plastic parts of the fan should be cleaned with mild soap and a damp cloth or sponge. Rinse with clean water to remove any soapy film residue.
- Be sure not to get water or any other liquid inside the motor.

TROUBLESHOOTING & WARRANTY

BEFORE YOU CALL FOR SERVICE

IF THE APPLIANCE FAILS TO OPERATE:

- A) Check to make sure that the appliance is plugged in securely. If it is not, remove the plug from the outlet, wait 10 seconds and plug it in again securely.
- B) Check for a blown circuit fuse or a tripped main circuit breaker. If these seem to be operating properly, test the outlet with another appliance.

IF NONE OF THE ABOVE SOLVES THE PROBLEM, CONTACT A QUALIFIED TECHNICIAN. DO NOT TRY TO ADJUST OR REPAIR THE APPLIANCE YOURSELF.

IMPORTANT

DO NOT RETURN THIS PRODUCT TO THE STORE

If you have a problem with this product, please contact the BLACK+DECKER Customer Satisfaction Center at

844-299-0879 or service@appliance.com.

DATED PROOF OF PURCHASE, MODEL # AND SERIAL #
REQUIRED FOR WARRANTY SERVICE

TROUBLESHOOTING & WARRANTY

Troubleshoot your problem by using the chart below. If the appliance still does not work properly, contact W Appliance Co. customer service center or the nearest authorized service center. Customers must never troubleshoot internal components.

TROUBLE	POSSIBLE CAUSE	POSSIBLE REMEDY
Appliance does not turn on	Appliance is not plugged in	Check that appliance is plugged into a working outlet
	The fuse cover may be open	Disconnect the plug from outlet and close the cover of the fuse.

SPECIFICATIONS

BFF16B

- Unit Dimensions (W x D x H): 20.55" x 6.38" x 19.17"
- Net Weight: Approx. 5.5 lb

TROUBLESHOOTING & WARRANTY

LIMITED WARRANTY

Any repair, replacement, or warranty service, and all questions about this product should be directed to W Appliance Co. at **844-299-0879** from the USA or Puerto Rico.

W Appliance Co. warrants to the original purchaser that the product will be free from defects in material, parts and workmanship for the period designated for this product. The warranty commences the day the product is purchased and covers up to a period of **1 year (12 months) for labor/1 year (12 months) for parts (manufacturing defects only)**.

W Appliance Co. agrees that it will, at its option, replace the defective product with either a new or remanufactured unit equivalent to your original purchase during the warranty period.

Exclusions: This warranty does not apply to the below:

1. If the appearance or exterior of the product has been damaged or defaced, altered or modified in design or construction.
2. If the product original serial number has been altered or removed or cannot be readily determined.
3. If there is damaged due to power line surge, user damage to the AC power cord or connection to improper voltage source.
4. If damage is due to general misuse, accidents or acts of God.
5. If repair attempts are done by unauthorized service agents, use of parts other than genuine parts or parts obtained from persons other than authorized service companies.
6. On units that have been transferred from the original owner.
7. On products that have been purchased as refurbished, like new, second-hand, in a "As-Is" or "Final Sale" terms.
8. To products used in a commercial or rental setting.
9. To products used in settings other than ordinary household use or used other than in accordance with the provided instructions.
10. To damages for service calls for improper installations.
11. Transportation and shipping costs associated with the replacement of the unit.
12. Service calls to instruct you how to use your product.
13. Service calls to repair or replace the house fuse, reset the circuit breaker or correct the wiring in the house.

REPAIR OR REPLACEMENT AS PROVIDED UNDER THIS WARRANTY IS THE EXCLUSIVE REMEDY OF THE CUSTOMER; W Appliance Co. SHALL NOT BE LIABLE FOR ANY INCIDENTAL OR CONSEQUENTIAL DAMAGES FOR BREACH OF ANY EXPRESS OR IMPLIED WARRANTY ON THIS PRODUCT, EXCEPT TO THE EXTENT PROHIBITED BY APPLICABLE LAW. ANY IMPLIED WARRANTY OF MERCHANTABILITY OF FITNESS FOR A PARTICULAR PURPOSE ON THIS PRODUCT IS LIMITED TO THE DURATION OF THE WARRANTY.

Some states do not allow the exclusion or limitations of incidental or consequential damages, or limitations on how long the warranty lasts. In these cases the above exclusions or limitations may not apply to you. This warranty gives you specific legal rights and you may also have other rights which vary from state to state.

Obtaining Service: To obtain service, product literature, supplies or accessories please call **844-299-0879** to create a ticket for exchange/repair. Please make sure to provide the date of purchase, model number and a brief description of the problem. Our customer service representative will contact you or send detailed return instructions.

W Appliance Co. does not warrant that the appliance will work properly in all environmental conditions, and makes no warranty and representation, either implied or expressed, with respect to the quality, performance, merchantability, or fitness for a particular purpose other than the purpose identified within this user's manual. W Appliance Co. has made every effort to ensure that this user's manual is accurate and disclaims liability for any inaccuracies or omissions that may have occurred. Information in this user's manual is subject to change without notice and does not represent a commitment on the part of W Appliance Co. W Appliance Co. reserves the right to make improvements to this user's manual and/or to the products described in this user's manual at any time without notice. If you find information in this manual that is incorrect, misleading, or incomplete, please contact us at **844-299-0879**.

W Appliance Co.
1356 Broadway
New York, NY 10018

BLACK & DECKER, BLACK+DECKER, the BLACK & DECKER and BLACK+DECKER logos and product names and the orange and black color scheme are trademarks of The Black & Decker Corporation, used under license. All rights reserved.

Product in this box may differ slightly from that pictured. Does not affect function. Not all accessories shown in photography are included in this package.

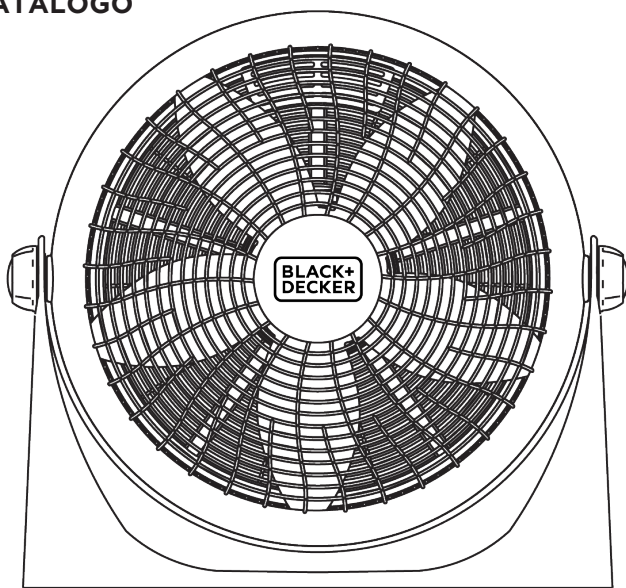
Imported by W Appliance, Inc., 1356 Broadway, New York, NY 10018

BLACK+[®] DECKER

16 PULGADAS. VENTILADOR DE PISO MANUAL DE INSTRUCCIONES

NÚMERO DE CATÁLOGO

BFF16B



¡Gracias por elegir BLACK+DECKER!

POR FAVOR, LEA ESTE MANUAL ANTES DE DEVOLVER ESTE PRODUCTO POR CUALQUIER MOTIVO.

Si tiene una pregunta o sufre un problema con su compra de BLACK+DECKER, diríjase a www.blackanddecker.com/instantanswers

Si no puede encontrar la respuesta o no tiene acceso a Internet, llame al 844-299-0879 desde 9:00 a.m. to 7:00 p.m. EST, de lun. a vie. para hablar con un agente. Tenga el número de catálogo a mano cuando llame.

GUARDE ESTE MANUAL PARA SU REFERENCIA EN EL FUTURO.

CONTENIDO

INFORMACIÓN DE SEGURIDAD

Instrucciones Importantes de Seguridad.....	15-16
Requerimientos Eléctricos	16

CONFIGURACIÓN Y USO

Partes y Características	17
Operación de su Ventilador.....	18
Remplazar el Fusible	19

LIMPIEZA Y CUIDADO19

SOLUCIÓN DE PROBLEMAS Y GARANTÍA

Antes de Llamar al Servicio.....	20
Atención al Cliente.....	20
Solución de Problemas.....	21
Garantía Limitada	22

REGISTRO DEL PRODUCTO

Gracias por comprar nuestro producto BLACK+DECKER. Este manual fácil de usar le guiará para hacer el mejor uso de su ventilador.

Recuerde anotar el número de modelo y los números de serie. Se encuentran en una etiqueta en la parte posterior del producto.

Número de modelo

Número de serie

Fecha de compra

Grape el recibo de compra a su manual. Lo necesitará para obtener el servicio de garantía.

INFORMACIÓN DE SEGURIDAD



PELIGRO

PELIGRO - Riesgos inmediatos que **RESULTARÁN** en lesiones personales o la muerte.



ADVERTENCIA

ADVERTENCIA - Riesgos o prácticas prácticas peligrosas que **PODRÍAN RESULTAR** en lesiones personales severas o la muerte.



CAUTION

PRECAUCIÓN - Riesgos o prácticas prácticas peligrosas que **PODRÍAN RESULTAR** en lesiones personales menores.

INSTRUCCIONES DE SEGURIDAD IMPORTANTES



ADVERTENCIA

Quando se usen aparatos eléctricos, se deben tomar precauciones de seguridad básicas, incluidas las siguientes

1. LEA TODAS LAS INSTRUCCIONES ANTES DEL USO
2. Nuca coloque los dedos, lápices, o cualquier otro objeto a través de la rejilla cuando el ventilador esté en uso.
3. Desconecte el ventilador cuando lo esté moviendo de un lugar a otro.
4. Desconecte el ventilador cuando no esté en uso y antes de limpiarlo y mantenimiento.
5. Para protegerse del riesgo de descarga eléctrica, no sumerja el ventilador en agua o cualquier otro líquido.
6. No deje que el cable cuelgue del borde de la mesa o la encimera.
7. Asegúrese de que el ventilador esté en una superficie estable cuando esté en uso para evitar que vuelque.
8. No use el ventilador en una ventana. La lluvia puede crear un riesgo eléctrico.
9. Se requiere la supervisión estrecha por parte de un adulto cuando cualquier aparato sea usado por o cerca de niños.
10. Este producto cuenta con protección de sobrecarga (fusible). Un fusible quemado indica una sobrecarga o un cortocircuito. Si el fusible se quema, desenchufe el producto de la toma. Reemplace el fusible de acuerdo al manual de usuario (siga las marcas en el producto para usar el fusible adecuado) y verifique el producto. Si el fusible de recambio se quema, es posible que haya un cortocircuito y el producto deba ser descartado o devuelto a un Servicio Técnico autorizado para su examinación y/o reparación.
11. No use ningún ventilador con un cable o enchufe dañado. Descarte el ventilador o devuélvalo a un Servicio Técnico autorizado para su examinación y/o reparación.
12. No coloque el cable bajo ningún tipo de alfombrado. No cubra el cable con tapetes, camineros, alfombras o coberturas similares. No encamine el cable bajo muebles o aparatos. Organice el cable lejos de áreas de tránsito y donde no se pueda tropezar con él.
13. Para reducir el riesgo de incendio o descarga eléctrica, no use este ventilador con ningún dispositivo de control de velocidad de estado sólido.
14. No usar en el exterior.

SAFETY INFORMATION

LEA Y GUARDE ESTAS INSTRUCCIONES ÚNICAMENTE USO DOMÉSTICO

REQUERIMIENTOS ELÉCTRICOS

Este aparato tiene un enchufe polarizado (una clavija es más ancha de la otra). Para reducir el riesgo de descarga eléctrica, este enchufe fue diseñado para encajar en una toma polarizada de una sola manera. Si el enchufe no encaja en la toma, dé vuelta el enchufe. Si de todas maneras no encaja, contacte a un electricista calificado. No intente modificar el enchufe de forma alguna.

AISLAMIENTO DOBLE

Aislamiento doble

Los electrodomésticos con doble aislamiento están contruidos en su totalidad con dos capas separadas de aislamiento eléctrico o una sola capa de aislamiento reforzado entre el usuario y el sistema eléctrico del electrodoméstico. Los productos fabricados con este sistema de aislamiento no están destinados a conectarse a tierra. Como resultado, este aparato está equipado con un enchufe de dos clavijas que permite su uso sin preocuparse por mantener una conexión a tierra.

NOTA: El aislamiento doble no reemplaza las precauciones de seguridad normales al operar este aparato. El sistema de aislamiento secundario es para protección contra lesiones resultantes de una posible falla del aislamiento primario dentro del producto.

 **PRECAUCIÓN:** AL REALIZAR EL SERVICIO, UTILICE SÓLO PIEZAS DE REPUESTO IDENTICAS.

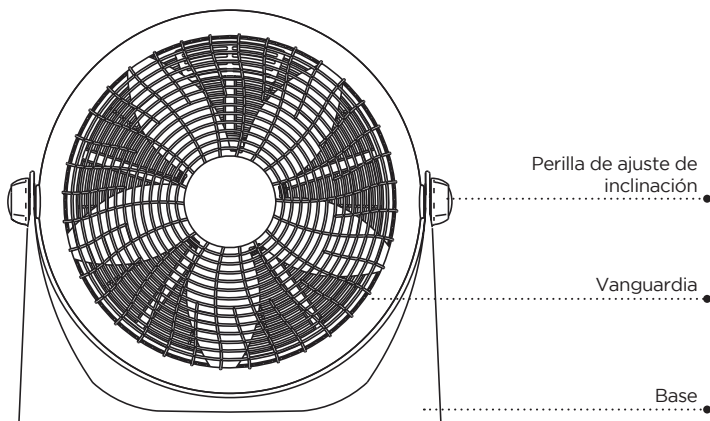
CABLE DE ALIMENTACIÓN ELÉCTRICA

1. Si el cable de alimentación es demasiado corto, no utilice un cable de extensión. Haga que un electricista calificado o una persona de servicio instale un tomacorriente cerca del electrodoméstico.

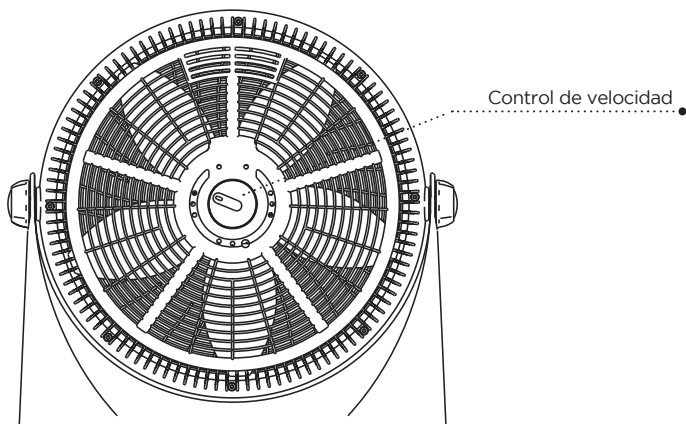
CONFIGURACIÓN Y USO

PIEZAS Y CARACTERÍSTICAS

PARTE DELANTERA





ESPALDA



CONFIGURACIÓN Y USO

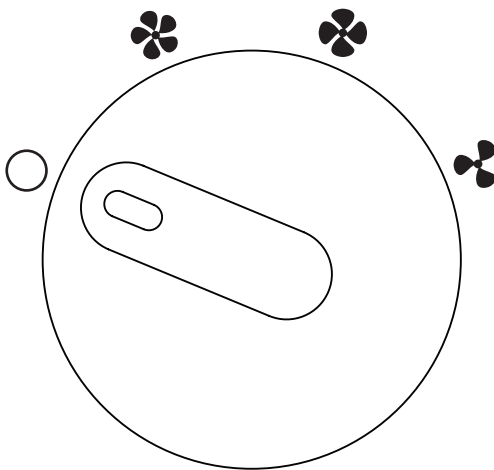
OPERACIÓN DE SU VENTILADOR

CONTROL DE POTENCIA/VELOCIDAD

El control de velocidad está ubicado en la parte trasera del ventilador en el centro de la parrilla. Gire la perilla para pasar de APAGADO  a velocidad ALTA 

MEDIA  o BAJA 

Gire la perilla a la posición APAGADO en cualquier momento para apagar la unidad.



⚠ PRECAUCIÓN: Para evitar lesiones al dirigir el flujo de aire, no apoye las manos en la base mientras empujando a los guardias.

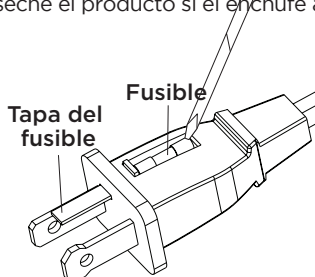
CONFIGURACIÓN Y USO

REEMPLAZAR EL FUSIBLE

⚠ PRECAUCIÓN: Apague el ventilador y desconecte el enchufe de la fuente de alimentación antes de reemplazar el fusible.

- Abra la cubierta del fusible ubicada en el lado del enchufe del cable de alimentación deslizándola hacia las clavijas del enchufe
- Quite cuidadosamente el fusible usando una herramienta pequeña y levantando lentamente uno de los extremos. Una vez que tenga uno de los extremos fuera, levante lentamente el otro extremo.
- Para evitar riesgos de incendio, solamente replácelo con un fusible de 2,5A a 125V.
- Cierre la tapa del fusible deslizándola hacia la parte superior del enchufe.

⚠ PRECAUCIÓN: Riesgo de fuego. No reemplace el enchufe de conexión. Contiene un dispositivo de seguridad (fusible) que no se debe quitar. Deseche el producto si el enchufe adjunto está dañado.



LIMPIEZA Y MANTENIMIENTO

⚠ ADVERTENCIA: Asegúrese de apagar el ventilador y desconectarlo de la toma de corriente antes de la limpieza. Asegúrese de no introducir agua ni otros líquidos en el motor. No desmonte el ventilador para su limpieza.

- Para garantizar una circulación de aire adecuada hacia el motor, mantenga las rejillas de ventilación en la parte trasera de la carcasa del motor libres de polvo, desechos, etc. Desenchufe el ventilador antes de usar una aspiradora para limpiar estas rejillas de ventilación. No desmonte el motor del ventilador para limpiarlo.
- Las piezas de plástico del ventilador deben limpiarse con un jabón suave y un paño húmedo o una esponja. Enjuague con agua limpia para eliminar cualquier residuo de película jabonosa.
- Asegúrese de que no entre agua ni ningún otro líquido dentro del motor. Asegúrese de apagar el ventilador y desenchufarlo de la fuente de suministro eléctrico antes de limpiarlo.

SOLUCIÓN DE PROBLEMAS Y GARANTÍA

ANTES DE LLAMAR AL SERVICIO TÉCNICO

SI EL APARATO NO FUNCIONA:

- A) Asegúrese de que el aparato está enchufado firmemente. De lo contrario, retire el enchufe de la toma, espere 10 segundos y conéctelo nuevamente de forma segura.
- B) Compruebe si hay algún fusible quemado o un disyuntor disparado. Si éstos parecen estar operando como es debido, pruebe la toma con otro aparato.

SI NINGUNO DE LOS PASOS ANTERIORES RESUELVE EL PROBLEMA, CONTACTE A UN TÉCNICO CALIFICADO. NO INTENTE AJUSTAR O REPARAR EL APARATO POR USTED MISMO.

IMPORTANTE

NO DEVUELVA ESTE PRODUCTO A LA TIENDA

Si tiene problemas con este producto, por favor contacte al Centro de Satisfacción del Cliente de BLACK+DECKER. a través del 844-299-0879 o a service@appliance.com.

UNA PRUEBA DE COMPRA CON FECHA, No. DE MODELO Y No. DE SERIE SON OBLIGATORIOS PARA EL SERVICIO DE GARANTÍA

SOLUCIÓN DE PROBLEMAS Y GARANTÍA

Intente solucionar su problema mediante el siguiente cuadro. Si el aparato aún no funciona correctamente, contacte al centro de atención al cliente de, o el centro de servicio autorizado de W Appliance Co. más cercano. Los clientes no deben nunca intentar solucionar problemas de componentes internos.

PROBLEMA	CAUSA POSIBLE	POSIBLE SOLUCIÓN
El aparato no enciende	El aparato no está enchufado.	Asegúrese de que el aparato está enchufado a una toma que funcione
	La tapa del fusible puede estar abierta	Desconecte el enchufe de la toma y cierre la cubierta del fusible

ESPECIFICACIONES

BFF16B

- Dimensiones de la unidad (AN x P x AL): 20.55" x 6.38" x 19.17"
- Peso neto: aprox. 5.5 lb (1,36 kg)

SOLUCIÓN DE PROBLEMAS Y GARANTÍA

GARANTÍA LIMITADA

Cualquier reparación, recambio, o servicio de garantía, y todas las preguntas sobre este producto deben ser dirigidas a W Appliance Co. al **844-299-0879** desde EE.UU. o Puerto Rico.

W Appliance Co. garantiza al comprador original que el producto estará libre de defectos de materiales, partes y mano de obra por el período designado para este producto. La garantía comienza el día en el que el producto es comprado y cubre un período de hasta 1 año (12 meses) por la mano de obra/1 año (12 meses) por las partes (solamente defectos de manufacturación).

W Appliance Co. acepta que, de acuerdo con su criterio, reemplazará el producto defectuoso por uno nuevo o uno remanufacturado equivalente a su compra original durante el período de garantía.

Exclusiones: Esta garantía no aplica a lo siguiente:

1. Si la apariencia o el exterior del producto han sido dañados o desfigurados, alterados o modificados en diseño o construcción.
2. Si el número de serie original del producto ha sido alterado o removido o no puede ser determinado fácilmente.
3. Si hay daños debido a sobretensión en la línea eléctrica, daño por parte del usuario al cable de alimentación de CA o conexión a una fuente de voltaje no adecuada.
4. Si el daño se debe al mal uso general, accidentes o "actos de Dios".
5. Si existen intentos de reparación por parte de agentes de servicio no autorizados, uso de partes que no sean originales u obtenidas de personas que no sean las compañías de servicio autorizadas.
6. Unidades que hayan sido transferidas por el dueño original a un tercero.
7. A productos que hayan sido comprados como renovados, como nuevos, de segunda mano, en términos de venta final o "como se ve".
8. A productos usados en un entorno comercial o de alquiler.
9. A productos usados en entornos que no sean el doméstico ordinario o usados de otra manera que no sea de acuerdo con las instrucciones brindadas.
10. A daños por visitas técnicas por instalaciones inadecuadas.
11. Costos de transporte y envío asociados con el reemplazo de la unidad.
12. Visitas técnicas para darle instrucciones de cómo usar su producto.
13. Visitas técnicas para reparar o cambiar el fusible de la casa, reiniciar el disyuntor o corregir el cableado de la casa.

LA REPARACIÓN O EL REMPLAZO COMO SE ESTABLECE EN ESTA GARANTÍA SON LA SOLUCIÓN EXCLUSIVA DEL CLIENTE; W Appliance Co. NO SERÁ RESPONSABLE POR CUALQUIER DAÑO ACCIDENTAL O A CONSECUENCIA DEL INCUMPLIMIENTO DE CUALQUIER GARANTÍA EXPRESADA O IMPLÍCITA SOBRE ESTE PRODUCTO, EXCEPTO EN LA MEDIDA DE LO PROHIBIDO POR LA LEY VIGENTE. CUALQUIER GARANTÍA IMPLÍCITA DE COMERCIABILIDAD O APTITUD PARA UN PROPÓSITO EN PARTICULAR DE ESTE PRODUCTO SE LIMITA A LA DURACIÓN DE LA GARANTÍA.

Algunos estados no permiten la exclusión o las limitaciones de daños accidentales o consecuentes, o limitaciones de qué tan larga es la garantía. En estos casos, las exclusiones o limitaciones antes mencionadas no se aplican a usted. Esta garantía le otorga derechos legales específicos y puede que tenga también otros derechos que varían de estado a estado.

Obteniendo servicio: para obtener servicio, literatura del producto, suministros y accesorios, por favor llame al 844-299-0879 para crear un ticket de cambio o reparación. Por favor, asegúrese de proporcionar la fecha de compra, número de modelo y una breve descripción del problema. Un representante de nuestro servicio de atención al cliente lo contactará o le enviará instrucciones detalladas para la devolución.

W Appliance Co. no garantiza que el aparato funcionará adecuadamente en todas las condiciones ambientales, y no otorga garantía alguna ni defensa, ya sea implícita o expresada, con respecto a la calidad, desempeño, comerciabilidad, o aptitud para un propósito particular más allá del propósito identificado en este manual de usuario. W Appliance Co. ha realizado todos los esfuerzos para asegurarse de que este manual es preciso y renuncia a la responsabilidad sobre cualquier imprecisión u omisión que pueda haber ocurrido. La información en este manual de usuario está sujeta a cambiar sin aviso previo y no representa un compromiso por parte de W Appliance Co. W Appliance Co. se reserva el derecho de hacer mejoras a este manual de usuario y/o al producto descrito en este manual de usuario en cualquier momento sin aviso previo. Si encuentra en este manual información que sea incorrecta, engañosa, o esté incompleta, por favor contáctenos al **844-299-0879**.

W Appliance Co.
1356 Broadway
New York, NY 10018

BLACK & DECKER, BLACK+DECKER, los logotipos de BLACK & DECKER y BLACK+DECKER y la combinación de colores naranja y negro son marcas comerciales de The Black & Decker Corporation, utilizadas bajo licencia. Todos los derechos están reservados.

El producto en esta caja puede diferir ligeramente del que aparece en la imagen. No afecta al funcionamiento. No todos los accesorios mostrados en la fotografía están incluidos en este paquete.

Importado por W Appliance, Inc., 1356 Broadway, Nueva York, NY 10018

Impreso en China