

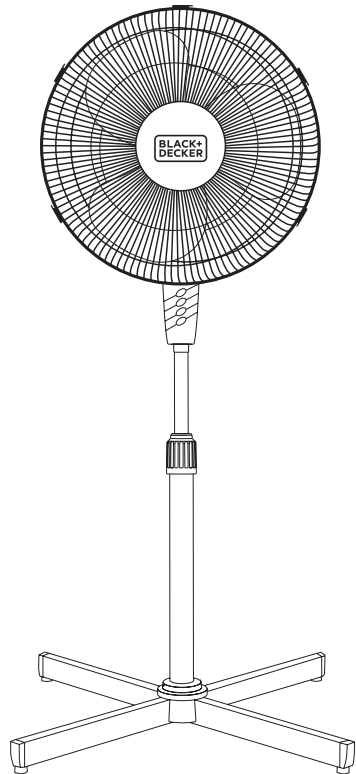
# BLACK+<sup>®</sup> DECKER



**ACTIVATE  
WARRANTY**

## **18" STAND FAN INSTRUCTION MANUAL**

**CATALOG NUMBER  
BFP18SXB  
BFP18SXW**



**Thank you for choosing BLACK+DECKER!**

**PLEASE READ BEFORE RETURNING THIS PRODUCT FOR ANY REASON.**

If you have a question or experience a problem with your BLACK+DECKER purchase, go to [www.blackanddecker.com/instantanswers](http://www.blackanddecker.com/instantanswers). If you can't find the answer or do not have access to the Internet, call 844-299-0879 from 10:30 a.m. to 6:30 p.m. EST Mon. - Fri. to speak with an agent. Please have the catalog number available when you call.

**SAVE THIS MANUAL FOR FUTURE REFERENCE.**



# CONTENTS

## SAFETY INFORMATION

Important Safety Instructions.....	4-5
Electrical Requirements.....	5

## SET UP & USE

Parts & Features .....	6
Operation & Use .....	7-9
Replacing the Fuse.....	10

<b>CLEANING &amp; CARE.....</b>	<b>10</b>
---------------------------------	-----------

## TROUBLESHOOTING & WARRANTY

Before You Call for Service.....	11
Customer Service.....	11
Troubleshooting.....	11
Limited Warranty.....	12

# PRODUCT REGISTRATION

Thank you for purchasing our BLACK+DECKER product. This easy-to-use manual will guide you in getting the best use of your fan.

Remember to record the model and serial numbers. They are on a label on the rear.

---

Model number

---

Serial number

---

Date of purchase

Staple your receipt to your manual. You will need it to obtain warranty service.

## SAFETY INFORMATION



### DANGER

**DANGER** - Immediate hazards which **WILL** result in severe personal injury or death



### WARNING

**WARNING** - Hazards or unsafe practices which **COULD** result in severe personal injury or death



### CAUTION

**CAUTION** - Hazards or unsafe practices which **COULD** result in minor personal injury

# IMPORTANT SAFETY INSTRUCTIONS



## WARNING

When using electrical appliances, basic safety precautions should be followed, including the following

1. READ ALL INSTRUCTIONS BEFORE USE
2. Never insert fingers, pencils, or any other object through the grill when fan is running.
3. Disconnect fan when moving from one location to another.
4. Disconnect fan when not in use and before cleaning.
5. To protect against risk of electrical shock, do not immerse fan in water or any other liquid.
6. Do not let cord hang over edge of table or counter.
7. Be sure fan is on a stable surface when operating to avoid overturning.
8. Do not use fan in window. Rain may create electrical hazard.
9. Close supervision is necessary when any appliance is used by or near children.
10. This product employs overload protection (fuse). A blown fuse indicates an overload or short-circuit situation. If the fuse blows, unplug the product from the outlet. Replace the fuse as per the user manual (follow product marking for proper fuse rating) and check the product. If the replacement fuse blows, a short-circuit may be present and the product should be discarded or returned to an authorized service facility for examination and/or repair.
11. Do not operate any fan with a damaged cord or plug. Discard fan or return to an authorized service facility for examination and/or repair.
12. Do not run cord under carpeting. Do not cover cord with throw rugs, runners, or similar coverings. Do not route cord under furniture or appliances. Arrange cord away from traffic area and where it will not be tripped over.

## SAFETY INFORMATION

13. To reduce the risk of fire or electric shock, DO NOT use this fan with any solid state speed control devices.
14. Do not use outdoors.
15. Ensure that the fan is switched off from the supply mains before removing the grille.

## SAVE THESE INSTRUCTIONS

### HOUSEHOLD USE ONLY

### ELECTRICAL REQUIREMENTS

This appliance has a polarized plug (one blade is wider than the other). To reduce the risk of electric shock, this plug is intended to fit into a polarized outlet only one way.

- ▲ WARNING:** If the plug does not fit into the outlet, reverse the plug. If it still does not fit, contact a qualified electrician. Do not attempt to modify the plug in any way.

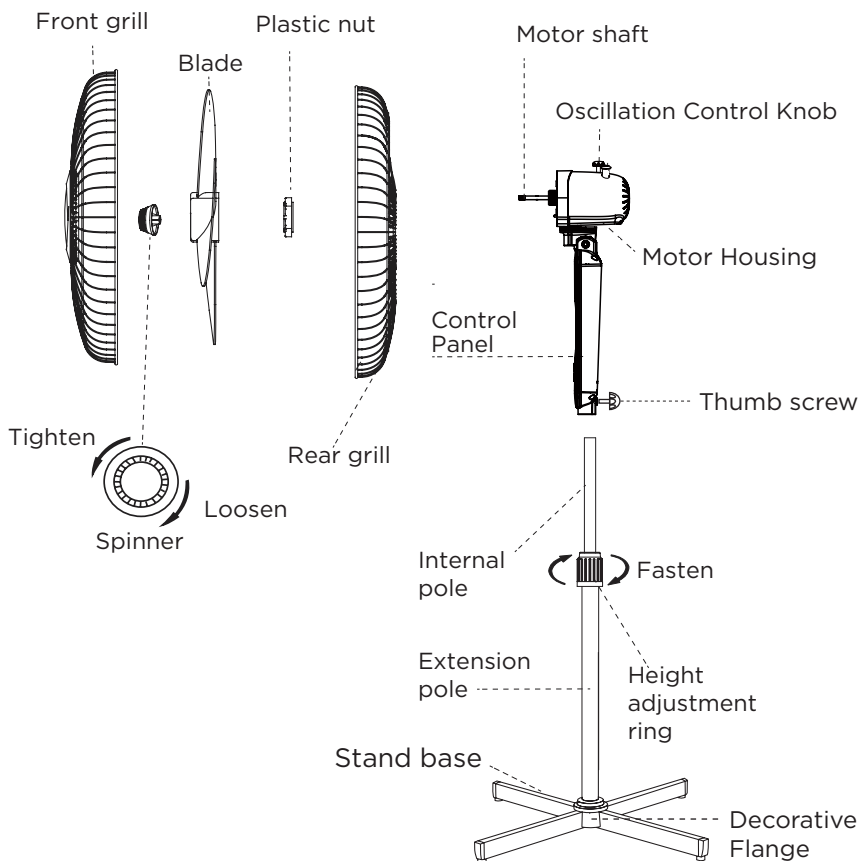
### POWER SUPPLY CORD

1. If it is absolutely necessary to use longer cord sets or an extension cord, extreme care must be exercised.
  - a) The marked electrical rating of the cord set or extension cord must be equal to or greater than the electrical rating of the appliance. The longer cord should be arranged so that it will not drape over the counter top or table top where it can be pulled on by children or tripped over unintentionally.

**NOTE:** Neither BLACK+DECKER nor the dealer can accept any liability for damage to the product or personal injury resulting from failure to observe the electrical connection procedures.

# SET UP & USE

## PARTS & FEATURES

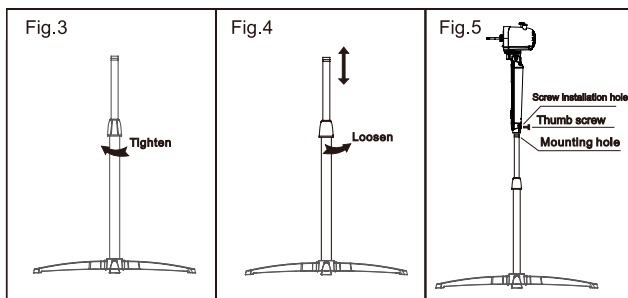
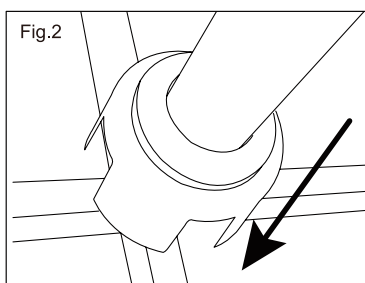
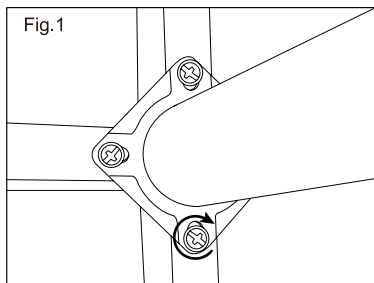


Pictures are for illustration purposes only, and may differ slightly from model purchased.

## SET UP & USE

### ASSEMBLY OF BASE & COLUMN UNIT

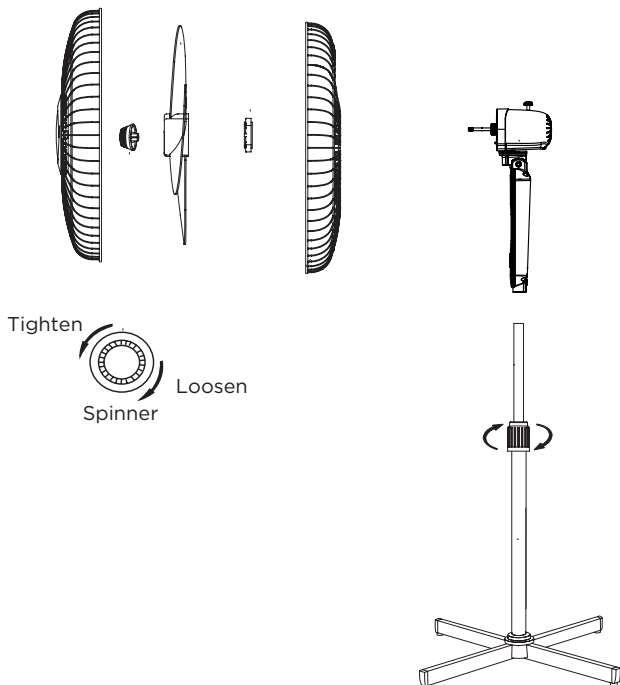
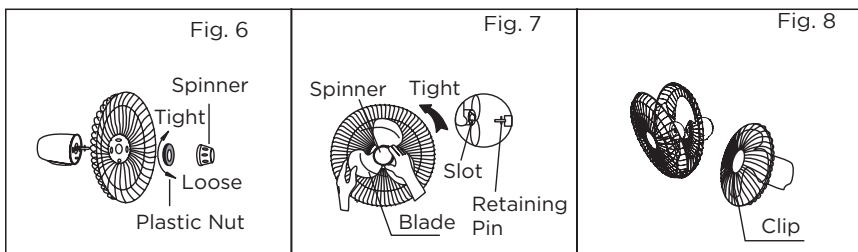
1. Insert the bottom of the extension pole into the center of the stand base. Attach with the 4 supplied screws (Fig.1).
2. Remove the thumbscrew on the top of the extension pole and slide the decorative flange down the pole to cover the screws (Fig.2).
3. Loosen the height adjustment ring and adjust the internal pole to the desired height. Adjustment ring by turning it clockwise (Fig.3 & Fig.4).  
**NOTE:** If you can't find the internal pole, it has slid inside the extension pole. You will need to retrieve it by pulling it out from the extension pole.
4. To attach the motor housing assembly to the internal pole, loosen the thumb screw on the bottom. Place the motor housing on the internal pole and align with the groove. Tighten the thumb screw (Fig.5).



## SET UP & USE

### GRILL & FAN BLADE ASSEMBLY

1. Unscrew the spinner clockwise and the plastic nut counterclockwise to remove both of them. Fix the rear grill so it sits perfectly flush to the motor then tighten the plastic nut clockwise (see Fig.6).
2. Insert the blade into shaft, and make sure the motor shaft pin is fitted into groove of the blade. Turn the spinner counterclockwise to tighten the blade (see Fig.7).
3. Fasten the front grill and the rear grill to each other by aligning the top front grill clip with the rear grill clip locations. Securely fasten the front grill and the rear grill to each other by using the remaining grill clips (see Fig.8) .





## SET UP & USE

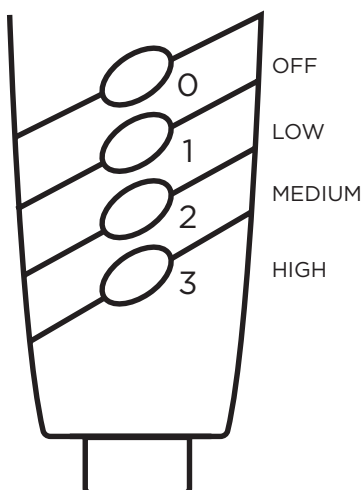
### OPERATION INSTRUCTIONS

**FAN ON/OFF & SPEED CONTROL:** To operate the fan select a fan speed 1 (Low), 2 (Medium), 3 (High) by pressing the corresponding button. Press 0 to turn the fan OFF.

**OSCILLATION CONTROL:** To make the fan oscillate, press down the oscillation control knob located on the top of the motor housing. To resume directional airflow, pull the oscillation control knob up to its initial position.

**TILT ADJUSTING:** To adjust the air flow upward or downward, push the grill section lightly to the desired direction.

**HEIGHT ADJUSTING:** The height of the fan can be adjusted by loosening the height adjustment ring. Carefully raise or lower to desired height and re-tighten the height adjustment ring.

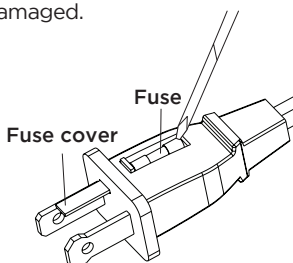


## SET UP & USE

### REPLACING THE FUSE

- Disconnect fan from power outlet by grabbing the plug at the end of the cord. Do not unplug by pulling the cord itself.
- Open fuse cover located in the side of the power cord plug by sliding it toward the plug blades.
- Remove fuse carefully by taking a small tool and slowly prying out one end. Once you have one end out, slowly pry out the other end.
- To avoid the risk of fire, replace only with similar 2.5 Amp, 125V fuse.
- Close fuse cover by sliding cover toward the top of the plug.

**⚠ CAUTION:** Do not attempt to replace the plug itself. Discard the product entirely if the plug itself is damaged.



### CLEANING AND CARE

**⚠ WARNING:** Never attempt to run the fan without the grill in place and properly secured. Failure to have the grill in place can result in serious injury. Be sure to unplug from the electrical supply source before cleaning. Be sure not to get water or any other liquid inside the motor.

- Plastic parts of the fan should be cleaned with mild soap and a damp cloth or sponge. Rinse with clean water to remove any soapy film residue.

## TROUBLESHOOTING & WARRANTY

### BEFORE YOU CALL FOR SERVICE

IF THE APPLIANCE FAILS TO OPERATE:

- A) Check to make sure that the appliance is plugged in securely. If it is not, remove the plug from the outlet, wait 10 seconds and plug it in again securely.
- B) Check for a blown circuit fuse or a tripped main circuit breaker. If these seem to be operating properly, test the outlet with another appliance.

IF NONE OF THE ABOVE SOLVES THE PROBLEM, CONTACT A QUALIFIED TECHNICIAN. DO NOT TRY TO ADJUST OR REPAIR THE APPLIANCE YOURSELF.

### CUSTOMER SERVICE

## IMPORTANT

### DO NOT RETURN THIS PRODUCT TO THE STORE

If you have a problem with this product, please contact the W Appliance Co. Customer Satisfaction Center at 844-299-0879 or [service@equitybrands.com](mailto:service@equitybrands.com).

### DATED PROOF OF PURCHASE, MODEL # AND SERIAL # REQUIRED FOR WARRANTY SERVICE

Troubleshoot your problem by using the chart below. If the appliance still does not work properly, contact W Appliance Co. customer service center or the nearest authorized service center. Customers must never troubleshoot internal components.

TROUBLE	POSSIBLE CAUSE	POSSIBLE REMEDY
Appliance does not turn on	Appliance is not plugged in	Check that appliance is plugged into a working outlet
	The fuse cover may be open	Disconnect the plug from outlet and close the cover of the fuse.

# TROUBLESHOOTING & WARRANTY

## LIMITED WARRANTY

Any repair, replacement, or warranty service, and all questions about this product should be directed to W Appliance Co. at **844-299-0879** from the USA or Puerto Rico.

W Appliance Co. warrants to the original purchaser that the product will be free from defects in material, parts and workmanship for the period designated for this product. The warranty commences the day the product is purchased and covers up to a period of **1 year (12 months) for labor/1 year (12 months) for parts (manufacturing defects only)**.

W Appliance Co. agrees that it will, at its option, replace the defective product with either a new or remanufactured unit equivalent to your original purchase during the warranty period.

**Exclusions:** This warranty does not apply to the below:

1. If the appearance or exterior of the product has been damaged or defaced, altered or modified in design or construction.
2. If the product original serial number has been altered or removed or cannot be readily determined.
3. If there is damaged due to power line surge, user damage to the AC power cord or connection to improper voltage source.
4. If damage is due to general misuse, accidents or acts of God.
5. If repair attempts are done by unauthorized service agents, use of parts other than genuine parts or parts obtained from persons other than authorized service companies.
6. On units that have been transferred from the original owner.
7. On products that have been purchased as refurbished, like new, second-hand, in a "As-Is" or "Final Sale" terms.
8. To products used in a commercial or rental setting.
9. To products used in settings other than ordinary household use or used other than in accordance with the provided instructions.
10. To damages for service calls for improper installations.
11. Transportation and shipping costs associated with the replacement of the unit.
12. Service calls to instruct you how to use your product.
13. Service calls to repair or replace the house fuse, reset the circuit breaker or correct the wiring in the house.

REPAIR OR REPLACEMENT AS PROVIDED UNDER THIS WARRANTY IS THE EXCLUSIVE REMEDY OF THE CUSTOMER; W Appliance Co. SHALL NOT BE LIABLE FOR ANY INCIDENTAL OR CONSEQUENTIAL DAMAGES FOR BREACH OF ANY EXPRESS OR IMPLIED WARRANTY ON THIS PRODUCT, EXCEPT TO THE EXTENT PROHIBITED BY APPLICABLE LAW. ANY IMPLIED WARRANTY OF MERCHANTABILITY OF FITNESS FOR A PARTICULAR PURPOSE ON THIS PRODUCT IS LIMITED TO THE DURATION OF THE WARRANTY.

Some states do not allow the exclusion or limitations of incidental or consequential damages, or limitations on how long the warranty lasts. In these cases the above exclusions or limitations may not apply to you. This warranty gives you specific legal rights and you may also have other rights which vary from state to state.

**Obtaining Service:** To obtain service, product literature, supplies or accessories please call **844-299-0879** to create a ticket for exchange/repair. Please make sure to provide the date of purchase, model number and a brief description of the problem. Our customer service representative will contact you or send detailed return instructions.

W Appliance Co. does not warrant that the appliance will work properly in all environmental conditions, and makes no warranty and representation, either implied or expressed, with respect to the quality, performance, merchantability, or fitness for a particular purpose other than the purpose identified within this user's manual. W Appliance Co. has made every effort to ensure that this user's manual is accurate and disclaims liability for any inaccuracies or omissions that may have occurred. Information in this user's manual is subject to change without notice and does not represent a commitment on the part of W Appliance Co. W Appliance Co. reserves the right to make improvements to this user's manual and/or to the products described in this user's manual at any time without notice. If you find information in this manual that is incorrect, misleading, or incomplete, please contact us at **844-299-0879**.

W Appliance Co.  
1356 Broadway  
New York, NY 10018



BLACK & DECKER, BLACK+DECKER, the BLACK & DECKER and BLACK+DECKER logos and product names are trademarks of The Black & Decker Corporation, used under license. All rights reserved.

Product in this box may differ slightly from that pictured. Does not affect function. Not all accessories shown in photography are included in this package.

Imported by W Appliance, Inc., 1356 Broadway, New York, NY 10018  
Customer Service: 844-299-0879

April 2024

Printed in China  
Page 13



# TABLE DES MATIÈRES

## INFORMATION DE SÉCURITÉ

Consignes de sécurité importantes.....	16-17
Exigences électriques.....	17

## CONFIGURATION ET UTILISATION

Pièces et caractéristiques.....	18
Fonctionnement et utilisation.....	19-21
Remplacement du fusible.....	22

## NETTOYAGE ET ENTRETIEN.....22

## DÉPANNAGE ET GARANTIE

Avant d'appeler du service.....	23
Service client.....	23
Dépannage.....	23
Garantie limitée.....	24

# ENREGISTREMENT DU PRODUIT

Merci d'avoir acheté notre produit BLACK+DECKER. Ce manuel facile à utiliser vous guidera dans l'utilisation optimale de votre ventilateur.

N'oubliez pas d'enregistrer les numéros de modèle et de série. Ils sont sur une étiquette à l'arrière.

Agrafez votre reçu à votre manuel. Vous en aurez besoin pour obtenir un service de garantie.

---

Numéro de modèle

---

Numéro de série

---

Date d'achat

## INFORMATIONS DE SÉCURITÉ

### DANGER

**DANGER** - Risques immédiats qui **VONT** entraîner des blessures graves ou la mort

### AVERTISSEMENT

**AVERTISSEMENT** - Risques ou pratiques dangereuses qui **POURRAIENT** entraîner des blessures graves ou la mort

### ATTENTION

**ATTENTION** - Risques ou pratiques dangereuses qui **POURRAIENT** entraîner des blessures mineures

# CONSIGNES DE SÉCURITÉ IMPORTANTES

## AVERTISSEMENT

Lors de l'utilisation d'appareils électriques, des précautions de base devrait être suivi, y compris les suivants

1. LIRE TOUTES LES INSTRUCTIONS AVANT UTILISATION
2. Ne jamais insérer les doigts, les crayons ou tout autre objet à travers la grille lorsque le ventilateur est en marche.
3. Débranchez le ventilateur lorsque vous vous déplacez d'un endroit à un autre.
4. Débrancher le ventilateur lorsqu'il n'est pas utilisé et avant de le nettoyer.
5. Pour éviter tout risque d'électrocution, ne pas immerger le ventilateur dans l'eau ou tout autre liquide.
6. Ne pas laisser le cordon pendre par-dessus le bord d'une table ou d'un comptoir.
7. Assurez-vous que le ventilateur est sur une surface stable en fonctionnement pour éviter le renversement.
8. N'utilisez pas le ventilateur dans une fenêtre. La pluie peut créer un danger électrique.
9. Une surveillance étroite est nécessaire lorsque tout appareil est utilisé par ou à proximité des enfants.
10. Ce produit utilise une protection contre la surcharge (fusible). Un fusible grillé indique une situation de surcharge ou de court-circuit. Si le fusible saute, débranchez le produit de la prise. Remplacez le fusible conformément au manuel de l'utilisateur (suivez les indications du produit pour obtenir la cote de fusible appropriée) et vérifiez le produit. Si le fusible de remplacement saute, un court-circuit peut être présent et le produit doit être jeté ou renvoyé à un centre de service agréé pour examen et/ou réparation.
11. Ne pas utiliser un ventilateur avec une fiche ou un cordon endommagé. Jeter le ventilateur ou retourner à un centre de service autorisé pour examen et / ou réparation.



## INFORMATIONS DE SÉCURITÉ

12. Ne pas passer le cordon sous un tapis. Ne pas couvrir le cordon avec des carpettes, des tapis de couloir ou des revêtements similaires. Ne pas faire passer le cordon sous des meubles ou des appareils. Disposez le cordon loin de la zone de circulation pour empêcher un trébuchement.
13. Pour réduire le risque d'incendie ou d'électrocution, N'UTILISEZ PAS ce ventilateur avec des dispositifs de contrôle de vitesse à semi-conducteurs.
14. Ne pas utiliser à l'extérieur.
15. Assurez-vous que le ventilateur est hors tension avant d'enlever la grille.

## SAUVEGARDER CES INSTRUCTIONS USAGE DOMESTIQUE SEULEMENT

### EXIGENCES ÉLECTRIQUES

Cet appareil a une fiche polarisée (une lame est plus large que l'autre). Pour réduire le risque de décharge électrique, cette prise est prévue pour s'adapter dans une prise polarisée d'une seule façon.

**▲ AVERTISSEMENT:** Si la fiche ne s'enfonce pas complètement dans la prise, la brancher dans l'autre sens. Si elle ne s'enfonce toujours pas, contactez un électricien qualifié. Ne pas tenter de modifier la fiche de quelque façon que ce soit.

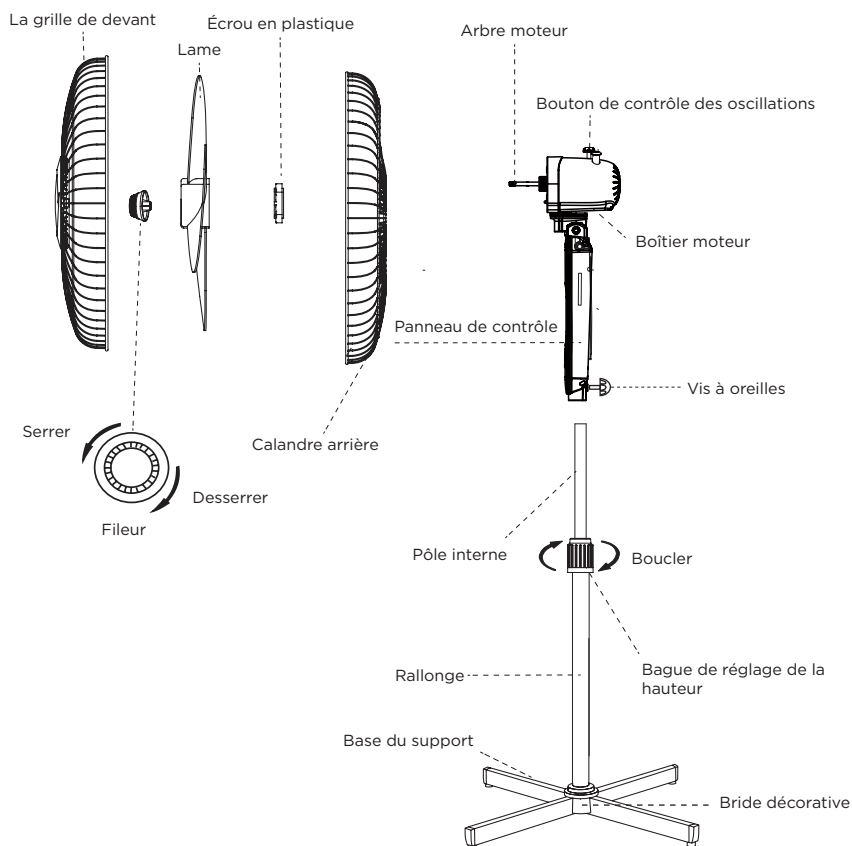
### CORDON D'ALIMENTATION

1. S'il est absolument nécessaire d'utiliser des cordons plus longs ou une rallonge, il faut faire très attention.
  - a) La cote électrique marquée du cordon ou de la rallonge doit être égale ou supérieure à la puissance nominale de l'appareil. Le cordon plus long doit être placé de sorte qu'il ne dépasse pas le dessus du comptoir ou le dessus de la table où il peut être tiré par des enfants ou trébuché involontairement.

**REMARQUE:** Ni BLACK + DECKER ni le revendeur ne peuvent être tenus responsables des dommages au produit ou des blessures résultant du non-respect des procédures de connexion électrique.

# CONFIGURATION ET UTILISATION

## PIÈCES & CARACTÉRISTIQUES



Les images sont uniquement à des fins d'illustration et peuvent différer légèrement du modèle acheté.

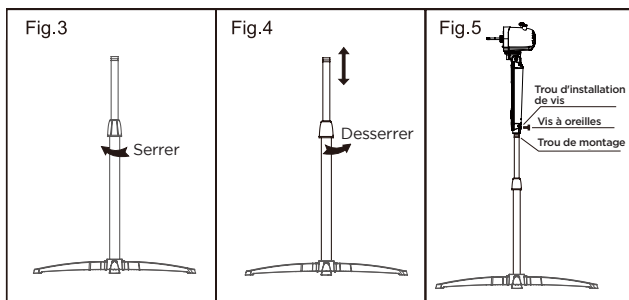
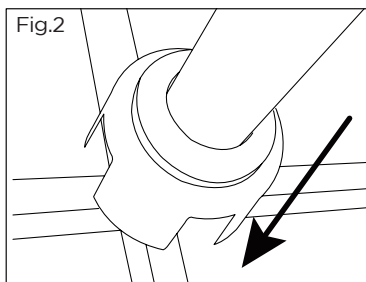
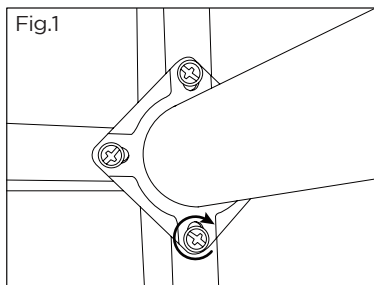
# CONFIGURATION ET UTILISATION

## ASSEMBLAGE DE L'UNITÉ DE BASE ET DE LA COLONNE

1. Insérez le bas de la rallonge au centre de la base du support. Fixez avec les 4 vis fournies (Fig.1).
2. Retirez la vis moletée sur le dessus du poteau d'extension et faites glisser la bride décorative vers le bas du poteau pour couvrir les vis (Fig.2).
3. Desserrez la bague de réglage de la hauteur et ajustez le poteau interne à la hauteur souhaitée. Bague de réglage en la tournant dans le sens des aiguilles d'une montre (Fig.3 & Fig.4).

**REMARQUE:** Si vous ne trouvez pas le poteau interne, il a glissé à l'intérieur de la rallonge. Vous devrez le récupérer en le retirant de la rallonge.

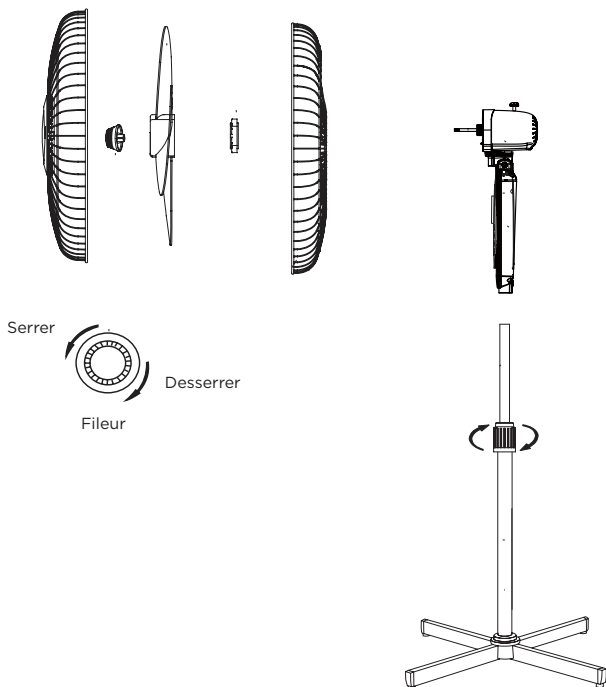
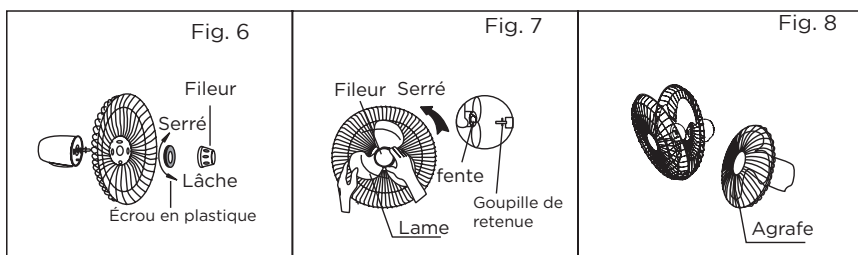
4. To attach the motor housing assembly to the internal pole, loosen the thumb screw on the bottom. Place the motor housing on the internal pole and align with the groove. Tighten the thumb screw (Fig.5).



# CONFIGURATION ET UTILISATION

## ENSEMBLE GRIL ET PALES DE VENTILATEUR

1. Dévissez la visseuse dans le sens des aiguilles d'une montre et l'écrou en plastique dans le sens inverse des aiguilles d'une montre pour les retirer tous les deux. Fixez la grille arrière de manière à ce qu'elle affleure parfaitement le moteur, puis serrez l'écrou en plastique dans le sens des aiguilles d'une montre (voir Fig.6).
2. Insérez la lame dans l'arbre et assurez-vous que la goupille de l'arbre du moteur est insérée dans la rainure de la lame. Tournez la roulette dans le sens inverse des aiguilles d'une montre pour serrer la lame (voir Fig.7).
3. Fixez la grille avant et la grille arrière l'une à l'autre en alignant le clip supérieur de la grille avant avec les emplacements des clips de la grille arrière. Fixez solidement la grille avant et la grille arrière l'une à l'autre à l'aide des clips de grille restants (voir Fig.8).



# CONFIGURATION ET UTILISATION

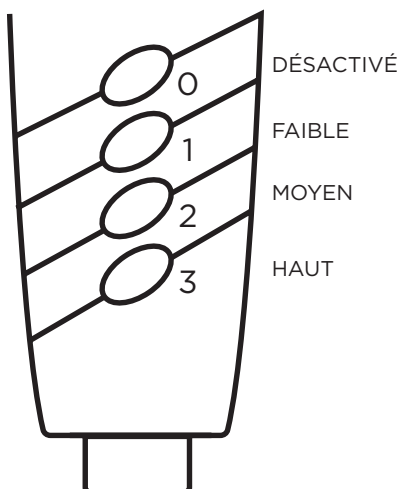
## INSTRUCTIONS D'UTILISATION

**MARCHE/ARRÊT DU VENTILATEUR ET CONTRÔLE DE LA VITESSE:** Pour faire fonctionner le ventilateur, sélectionnez une vitesse de ventilateur 1 (faible), 2 (moyenne), 3 (élevée) en appuyant sur le bouton correspondant. Appuyez sur 0 pour éteindre le ventilateur.

**CONTRÔLE D'OSCILLATION:** Pour faire osciller le ventilateur, appuyez sur le bouton de contrôle d'oscillation situé sur le dessus du boîtier du moteur. Pour reprendre le flux d'air directionnel, tirez le bouton de commande d'oscillation jusqu'à sa position initiale.

**RÉGLAGE DE L'INCLINAISON:** Pour régler le débit d'air vers le haut ou vers le bas, poussez légèrement la section du gril dans la direction souhaitée.

**RÉGLAGE DE LA HAUTEUR:** La hauteur du ventilateur peut être réglée en desserrant la bague de réglage de la hauteur. Soulevez ou abaissez soigneusement à la hauteur souhaitée et resserrez la bague de réglage de la hauteur.

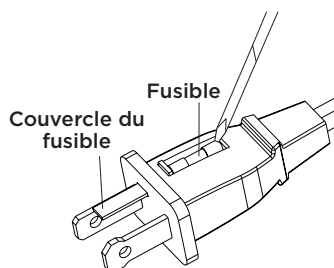


## CONFIGURATION ET UTILISATION

### REPLACEMENT DU FUSIBLE

- Débranchez le ventilateur de la prise de courant en saisissant la fiche à l'extrémité du cordon. Ne débranchez pas en tirant le cordon lui-même
- Ouvrez le couvercle du fusible situé sur le côté de la fiche du cordon d'alimentation en le faisant glisser vers les lames de la fiche
- Retirez soigneusement le fusible en prenant un petit outil et en tirant lentement une extrémité. Une fois que vous avez une extrémité, soulevez lentement l'autre extrémité.
- Pour éviter tout risque d'incendie, remplacez-le uniquement par un fusible similaire de 2.5 A, 125 V.
- Fermez le couvercle du fusible en faisant glisser le couvercle vers le haut de la prise.

**⚠ ATTENTION:** N'essayez pas de remplacer la fiche elle-même. Jetez le produit entièrement si la fiche elle-même est endommagée.



### NETTOYAGE ET SOINS

**⚠ AVERTISSEMENT:** N'essayez jamais de faire fonctionner le ventilateur sans que la grille soit en place et correctement fixée. Ne pas mettre le gril en place peut entraîner des blessures graves.

Assurez-vous de débrancher la source d'alimentation électrique avant de nettoyer. Assurez-vous de ne pas avoir d'eau ou tout autre liquide à l'intérieur du moteur.

- Les pièces en plastique du ventilateur doivent être nettoyées avec un savon doux et un chiffon humide ou une éponge. Rincer à l'eau propre pour enlever tout résidu de film savonneux.

## DÉPANNAGE ET GARANTIE

### AVANT D'APPELER POUR LE SERVICE

SI L'APPAREIL NE FONCTIONNE PAS:

- A) Assurez-vous que l'appareil est branché solidement. Si ce n'est pas le cas, retirez la fiche de la prise, attendez 10 secondes et branchez-le à nouveau sécuritairement.
- B) Vérifiez qu'il n'y a pas de fusible de circuit grillé ou de disjoncteur principal déclenché. Si celles-ci semblent fonctionner correctement, testez la prise avec un autre appareil.

SI AUCUNE DE CES RÉPONSES RÉSOULT LE PROBLÈME, CONTACTEZ UN TECHNICIEN QUALIFIÉ. N'ESSAYEZ PAS D'AJUSTER OU DE RÉPARER L'APPAREIL VOUS-MÊME.

### SERVICE CLIENTS

## IMPORTANT

### NE PAS RETOURNER CE PRODUIT AU MAGASIN

Si vous avez un problème avec ce produit, veuillez communiquer avec le Centre De Satisfaction Client de W Appliance Co. au 844-299-0879 ou [service@equitybrands.com](mailto:service@equitybrands.com).

### PREUVE D'ACHAT DATÉE, # DE MODÈLE ET # DE SÉRIE REQUIS POUR LE SERVICE SOUS GARANTIE

Localisez votre problème en utilisant le tableau ci-dessous. Si l'appareil ne fonctionne toujours pas correctement, contactez le service clientèle de W Appliance Co. ou le centre de service agréé le plus proche. Les clients ne doivent jamais dépanner les composants internes.

PROBLÈME	CAUSE POSSIBLE	SOLUTION POSSIBLE
L'appareil ne s'allume pas	L'appareil n'est pas branché	Vérifiez que l'appareil est branché dans une prise de courant
	Le couvercle du fusible peut être ouvert	Débranchez la fiche de la prise et fermez le couvercle du fusible.

# DÉPANNAGE ET GARANTIE

## GARANTIE LIMITÉE

Toute réparation, remplacement ou réparation sous garantie, et toutes les questions sur ce produit doivent être adressées à W Appliance Co. au **844-299-0879** depuis les États-Unis ou de Porto Rico.

W Appliance Co. garantit à l'acheteur original que le produit sera exempt de défauts de matériel, de pièces et de fabrication pour la période désignée pour ce produit. La garantie commence le jour de l'achat du produit et couvre une période maximale de **1 an (12 mois) pour la main-d'œuvre / 1 an (12 mois) pour les pièces (défauts de fabrication uniquement)**.

W Appliance Co. accepte de remplacer, à sa discrétion, le produit défectueux par une unité neuve ou reconstruite équivalente à votre achat initial pendant la période de garantie.

**Exclusions:** Cette garantie ne s'applique pas à ce qui suit:

1. Si l'apparence ou l'extérieur du produit a été endommagé ou déformé, altéré ou modifié dans la conception ou la construction.
2. Si le numéro de série original a été modifié ou supprimé ou ne peut être déterminée facilement.
3. S'il y a des dommages causés par une surtension de la ligne d'alimentation, des dommages de l'utilisateur au cordon d'alimentation CA ou une connexion à une source de tension incorrecte.
4. Si le dommage résulte de la mauvaise utilisation générale, des accidents ou des cas de force majeure.
5. Si les réparations sont effectuées par des agents de service non autorisés, l'utilisation des pièces autres que des pièces originales ou pièces obtenues auprès de personnes autres que les entreprises de services autorisées.
6. Sur les unités qui ont été transférées du propriétaire original.
7. Sur les produits qui ont été achetés comme remis à neuf, comme neuf, d'occasion, dans des termes "Tel Quel" ou "Vente Finale".
8. Aux produits utilisés dans un contexte commercial ou de location.
9. Aux produits utilisés dans des environnements autres que d'un usage domestique ou utilisé autrement que conformément aux instructions fournies.
10. Pour les dommages pour les appels de service pour les installations incorrects.
11. Les frais de transport et d'expédition associés au remplacement de l'unité.
12. Appels de service pour vous expliquer comment utiliser votre produit.
13. Les appels de service pour réparer ou remplacer le fusible de la maison, réinitialiser le disjoncteur ou corriger le câblage dans la maison.

LA RÉPARATION OU LE REMPLACEMENT PRÉVU EN VERTU DE CETTE GARANTIE EST LE RECOURS EXCLUSIF DU CLIENT; W Appliance Co. NE POURRA ÊTRE TENUE RESPONSABLE D'AUCUN DOMMAGE ACCESSOIRE OU INDIRECT EN CAS DE NON-RESPECT DE TOUTE GARANTIE EXPRESSE OU IMPLICITE SUR CET APPAREIL, SAUF DANS LA MESURE INTERDITE PAR LA LOI APPLICABLE. TOUTE GARANTIE IMPLICITE DE QUALITÉ MARCHANDE OU D'APTITUDE À UN USAGE PARTICULIER SUR CE PRODUIT EST LIMITÉE À LA DURÉE DE LA GARANTIE.

Certains États n'autorisent pas l'exclusion ou limitation de dommages accessoires ou indirects, ou la limitation sur la durée de la garantie. Dans ces cas les exclusions ou limitations ci-dessus peuvent ne pas s'appliquer à vous. Cette garantie vous donne des droits légaux précis, et vous pourriez aussi avoir d'autres droits légaux qui varient d'un état à l'autre.

**Obtention de Service:** Pour obtenir un service, documentation sur les produits, des fournitures ou des accessoires, veuillez appeler **844-299-0879** pour créer un ticket d'échange/réparation. Veuillez vous assurer de fournir la date d'achat, numéro de modèle et une brève description du problème. Notre représentant du service à la clientèle vous contactera ou vous enverra des instructions de retour détaillées.

concerne la qualité, performance, qualité marchande ou aptitude à un usage particulier autre que celui identifié dans ce manuel de l'utilisateur. W Appliance Co. a fait tous les efforts pour s'assurer que ce manuel de l'utilisateur est exact et décline toute responsabilité pour toute inexactitude ou omission qui pourrait avoir eu lieu. Les informations contenues dans ce manuel de l'utilisateur sont sujettes à modification sans préavis et ne représente pas un engagement de la part de W Appliance Co. W Appliance Co. se réserve le droit d'apporter des améliorations à ce manuel de l'utilisateur et/ou aux produits décrits dans ce manuel de l'utilisateur à tout moment sans préavis. Si vous trouvez des informations dans ce manuel qui sont erronées, trompeuses ou incomplètes, veuillez nous contacter à **844-299-0879**.

W Appliance Co.  
1356 Broadway  
New York, NY 10018





BLACK & DECKER, BLACK+DECKER, les logos et noms de produits BLACK & DECKER et BLACK+DECKER sont des marques commerciales de The Black & Decker Corporation, utilisées sous licence. Tous droits réservés.

Le produit dans cette boîte peut différer légèrement de celui illustré. N'affecte pas la fonction. Tous les accessoires montrés sur la photographie ne sont pas inclus dans ce package.

Importé par W Appliance, Inc., 1356 Broadway, New York, NY 10018  
Service client: 844-299-0879

# CONTENIDO

## INFORMACIÓN DE SEGURIDAD

Instrucciones de seguridad importantes .....	27-28
Requisitos eléctricos .....	28

## CONFIGURACIÓN Y USO

Piezas y características.....	29
Operación y uso.....	30-32
Reemplazo del fusible.....	33

## LIMPIEZA Y CUIDADO.....33

## SOLUCIÓN DE PROBLEMAS Y GARANTÍA

Antes de llamar para solicitar servicio .....	34
Servicio al Cliente .....	34
Solución de problemas .....	34
Garantía limitada .....	35

# REGISTRO DEL PRODUCTO

Gracias por comprar nuestro producto BLACK+DECKER. Este manual fácil de usar le guiará para hacer el mejor uso de su ventilador.

Recuerdo anotar el número de modelo y los números de serie. Se encuentran en una etiqueta en la parte posterior.

\_\_\_\_\_

Número de modelo

\_\_\_\_\_

Número de serie

\_\_\_\_\_

Fecha de compra

Grape el recibo de compra a su manual. Lo necesitará para obtener el servicio de garantía.

## INFORMACIÓN DE SEGURIDAD

### PELIGRO

**PELIGRO** - Riesgos inmediatos que RESULTARÁN en lesiones personales severas o la muerte

### ADVERTENCIA

**ADVERTENCIA** - Riesgos o prácticas peligrosas que PODRÍAN RESULTAR en lesiones personales severas o la muerte

### PRECAUCIÓN

**PRECAUCIÓN** - Riesgos o prácticas peligrosas que PODRÍAN RESULTAR en lesiones personales severas o la muerte

## INSTRUCCIONES IMPORTANTES DE SEGURIDAD

### ADVERTENCIA

Quando se usen aparatos eléctricos, se deben tomar precauciones de seguridad básicas, incluidas las siguientes

1. LEA TODAS LAS INSTRUCCIONES ANTES DEL USO
2. Nunca coloque los dedos, lápices, o cualquier otro objeto a través de la rejilla cuando el ventilador esté en uso.
3. Desconecte el ventilador cuando lo esté moviendo de un lugar a otro.
4. Desconecte el ventilador cuando no esté en uso y antes de limpiarlo.
5. Para protegerse del riesgo de descarga eléctrica, no sumerja el ventilador en agua o cualquier otro líquido.
6. No deje que el cable cuelgue del borde de la mesa o la encimera.
7. Asegúrese de que el ventilador esté en una superficie estable cuando esté en uso para evitar que vuelque.
8. No use el ventilador en una ventana. La lluvia puede crear un riesgo eléctrico.
9. Se requiere la supervisión estrecha por parte de un adulto cuando cualquier aparato sea usado por o cerca de niños.
10. Este producto cuenta con protección de sobrecarga (fusible). Un fusible quemado indica una sobrecarga o un cortocircuito. Si el fusible se quema, desenchufe el producto de la toma. Reemplace el fusible de acuerdo al manual de usuario (siga las marcas en el producto para usar el fusible adecuado) y verifique el producto. Si el fusible de recambio se quema, es posible que haya un cortocircuito y el producto deba ser descartado o devuelto a un Servicio Técnico autorizado para su examinación y/o reparación.
11. No use ningún ventilador con un cable o enchufe dañado. Descarte el ventilador o devuélvalo a un Servicio Técnico autorizado para su examinación y/o reparación.

## INFORMACIÓN DE SEGURIDAD

12. No coloque el cable bajo ningún tipo de alfombrado. No cubra el cable con tapetes, camineros, alfombras o coberturas similares. No encamine el cable bajo muebles o aparatos. Organice el cable lejos de áreas de tránsito y donde no se pueda tropezar con él.
13. Para reducir el riesgo de descarga eléctrica o incendio, NO use este ventilador con ningún dispositivo de control de velocidad de estado sólido.
14. No usar en el exterior.
15. Asegúrese de que el ventilador esté desconectado de la corriente eléctrica antes de remover la rejilla.

## GUARDE ESTAS INSTRUCCIONES ÚNICAMENTE USO DOMÉSTICO

### REQUERIMIENTOS ELÉCTRICOS

Este aparato tiene un enchufe polarizado (una clavija es más ancha de la otra). Para reducir el riesgo de descarga eléctrica, este enchufe fue diseñado para encajar en una toma polarizada de una sola manera.

- ⚠ ADVERTENCIA:** Si el enchufe no encaja en la toma, de vuelta el enchufe. Si de todas maneras no encaja, contacte a un electricista calificado. No intente modificar el enchufe de forma alguna.

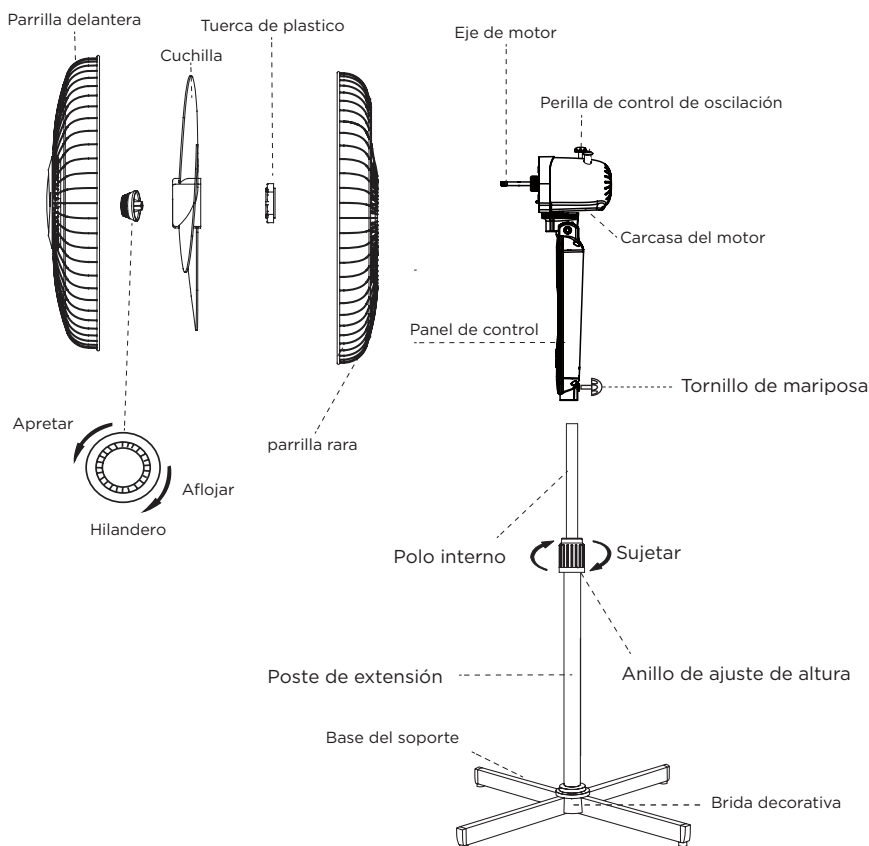
### CABLE DE ALIMENTACIÓN

1. Si fuese absolutamente necesario utilizar un alargue o una regleta, se debe tener cuidado extremo.
  - a) La capacidad eléctrica marcada en el alargue o regleta debe ser igual a o mayor que la capacidad eléctrica del aparato. El cable más largo debe ser dispuesto de manera tal que no cuelgue de la encimera o la mesa para evitar que los niños tiren de él o que alguien se tropiece accidentalmente.

**NOTA:** Ni BLACK+DECKER ni el distribuidor pueden aceptar ningún tipo de responsabilidad por daños al producto o daños personales que resulten del fallo de respetar los procedimientos de conexión eléctrica.

# CONFIGURACIÓN Y USO

## PARTES Y FUNCIONALIDADES

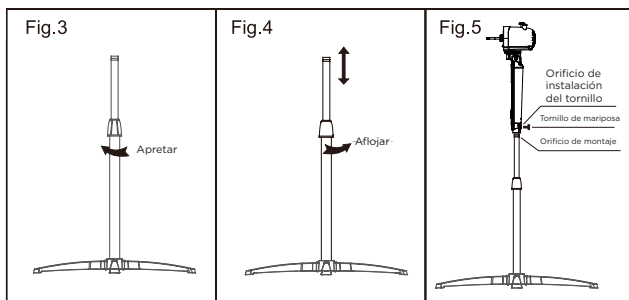
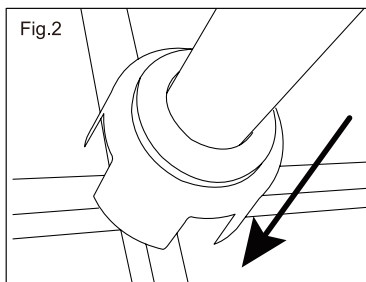
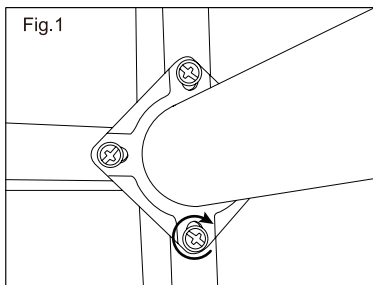


Las imágenes son sólo para fines ilustrativos y pueden diferir ligeramente del modelo comprado.

# CONFIGURACIÓN Y USO

## MONTAJE DE UNIDAD BASE Y COLUMNA

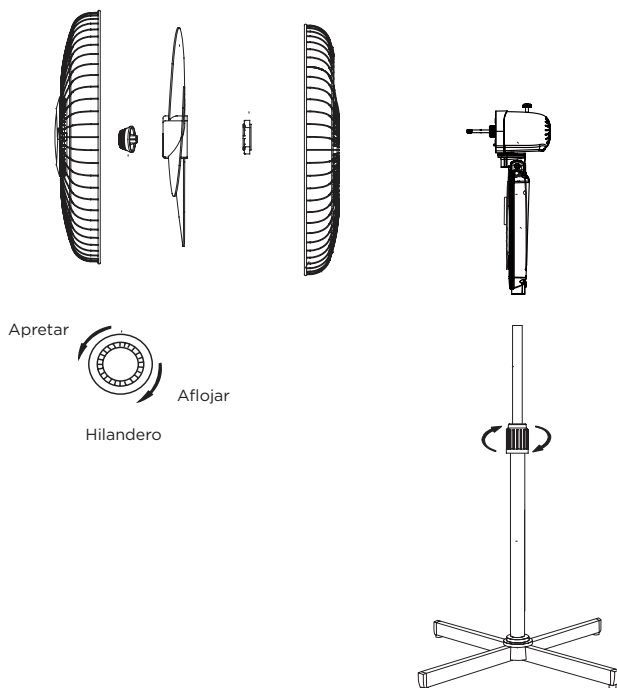
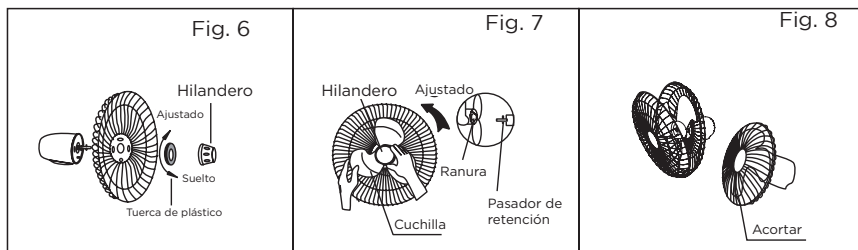
1. Inserte la parte inferior del poste de extensión en el centro de la base del soporte. Fije con los 4 tornillos suministrados (Fig.1).
2. Retire el tornillo de mariposa en la parte superior del poste de extensión y deslice la brida decorativa hacia abajo para cubrir los tornillos (Fig.2).
3. Afloje el anillo de ajuste de altura y ajuste el poste interno a la altura deseada. Anillo de ajuste girándolo en el sentido de las agujas del reloj (Fig.3 y Fig.4).  
**NOTA:** Si no puede encontrar el poste interno, se ha deslizado dentro del poste de extensión. Deberá recuperarlo sacándolo del poste de extensión.
4. Para fijar el conjunto de la carcasa del motor al poste interno, afloje el tornillo de mariposa en la parte inferior. Coloque la carcasa del motor en el poste interno y alinee con la ranura. Apriete el tornillo de mariposa (Fig.5).



# CONFIGURACIÓN Y USO

## CONJUNTO DE PARRILLA Y ASPAS DEL VENTILADOR

1. Desatornille la rueda giratoria en el sentido de las agujas del reloj y la tuerca de plástico en el sentido contrario a las agujas del reloj para quitar ambas. Fije la parrilla trasera para que quede perfectamente al ras del motor y luego apriete la tuerca de plástico en el sentido de las agujas del reloj (ver Fig.6).
2. Inserte la cuchilla en el eje y asegúrese de que el pasador del eje del motor encaje en la ranura de la cuchilla. Gire la rueda giratoria en el sentido contrario a las agujas del reloj para apretar la hoja (ver Fig.7).
3. Sujete la parrilla delantera y la parrilla trasera entre sí alineando el clip superior de la parrilla delantera con las ubicaciones de los clips de la parrilla trasera. Sujete firmemente la parrilla delantera y la parrilla trasera entre sí usando los clips de parrilla restantes (ver Fig.8).



## CONFIGURACIÓN Y USO

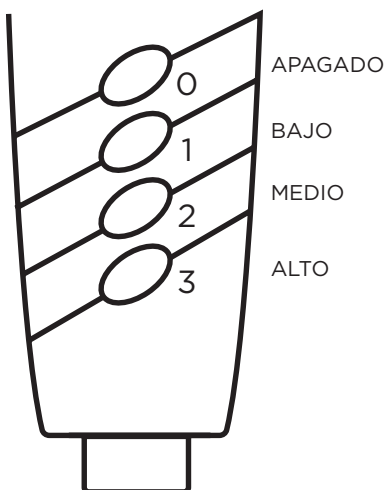
### INSTRUCCIONES DE OPERACIÓN

**ENCENDIDO/APAGADO DEL VENTILADOR Y CONTROL DE VELOCIDAD:** Para operar el ventilador, seleccione una velocidad de ventilador 1 (baja), 2 (media), 3 (alta) presionando el botón correspondiente. Presione 0 para apagar el ventilador.

**CONTROL DE OSCILACIÓN:** Para hacer que el ventilador oscile, presione hacia abajo la perilla de control de oscilación ubicada en la parte superior de la carcasa del motor. Para reanudar el flujo de aire direccional, tire de la perilla de control de oscilación hasta su posición inicial.

**AJUSTE DE INCLINACIÓN:** Para ajustar el flujo de aire hacia arriba o hacia abajo, empuje la sección de la parrilla ligeramente en la dirección deseada.

**AJUSTE DE ALTURA:** La altura del ventilador se puede ajustar aflojando el anillo de ajuste de altura. Levante o baje con cuidado hasta la altura deseada y vuelva a apretar el anillo de ajuste de altura.



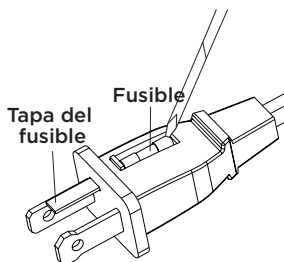


## CONFIGURACIÓN Y USO

### REEMPLAZAR EL FUSIBLE

- Desconecte el ventilador de la toma de corriente tomando el enchufe al final del cable. No lo desenchufe tirando del cable.
- Abra la cubierta del fusible ubicada en el lado del enchufe del cable de alimentación deslizándola hacia las clavijas del enchufe
- Quite cuidadosamente el fusible usando una herramienta pequeña y levantando lentamente uno de los extremos. Una vez que tenga uno de los extremos fuera, levante lentamente el otro extremo.
- Para evitar riesgos de incendio, solamente replácelo con un fusible similar de 2.5A a 125V.
- Cierre la tapa del fusible deslizándola hacia la parte superior del enchufe.

**PRECAUCIÓN:** No intente reemplazar el enchufe. Descarte completamente el producto si el enchufe está dañado.



### LIMPIEZA Y CUIDADO

**⚠️ ADVERTENCIA:** Nunca intente usar el ventilador sin la rejilla en su lugar y adecuadamente asegurada. No tener la rejilla colocada puede resultar en lesiones graves. Asegúrese de desconectar de la toma de corriente antes de la limpieza. Asegúrese de no introducir agua ni otros líquidos en el motor.

- Las partes plásticas del ventilador deberían ser limpiadas con jabón suave y un paño o esponja húmedos. Enjuague con agua para eliminar cualquier resto de jabón.

## SOLUCIÓN DE PROBLEMAS Y GARANTÍA

### ANTES DE LLAMAR AL SERVICIO TÉCNICO

SI EL APARATO NO FUNCIONA:

- A) Asegúrese de que el aparato está enchufado firmemente. De lo contrario, retire el enchufe de la toma, espere 10 segundos y conéctelo nuevamente de forma segura.
- B) Compruebe si hay algún fusible quemado o un disyuntor disparado. Si éstos parecen estar operando como es debido, pruebe la toma con otro aparato.

SI NINGUNO DE LOS PASOS ANTERIORES RESUELVE EL PROBLEMA, CONTACTE A UN TÉCNICO CALIFICADO. NO INTENTE AJUSTAR O REPARAR EL APARATO POR USTED MISMO.

### SERVICIO AL CLIENTE

## IMPORTANTE

### NO DEVUELVA ESTE PRODUCTO A LA TIENDA

Si tiene problemas con este producto, por favor, contacte al Centro de Satisfacción del Cliente de W Appliance Co. a través del 844-299-0879 o a [service@equitybrands.com](mailto:service@equitybrands.com).

**UNA PRUEBA DE COMPRA CON FECHA, No. DE MODELO Y No. DE SERIE SON OBLIGATORIOS PARA EL SERVICIO DE GARANTÍA**

Intente solucionar su problema mediante el siguiente cuadro. Si el aparato aún no funciona correctamente, contacte al centro de atención al cliente de, o el centro de servicio autorizado de W Appliance Co. más cercano. Los clientes no deben nunca intentar solucionar problemas de componentes internos.

PROBLEMA	CAUSA POSIBLE	POSIBLE SOLUCIÓN
El aparato no enciende.	El aparato no está enchufado	Asegúrese de que el aparato está enchufado a una toma que funcione
	La tapa del fusible puede estar abierta	Desconecte el enchufe de la toma y cierre la cubierta del fusible

# SOLUCIÓN DE PROBLEMAS Y GARANTÍA

## GARANTÍA LIMITADA

Cualquier reparación, recambio, o servicio de garantía, y todas las preguntas sobre este producto deben ser dirigidas a W Appliance Co. al 844-299-0879 desde EE.UU. o Puerto Rico.

W Appliance Co. garantiza al comprador original que el producto estará libre de defectos de materiales, partes y mano de obra por el período designado para este producto. La garantía comienza el día en el que el producto es comprado y cubre un período de hasta **1 año (12 meses) por la mano de obra/1 año (12 meses) por las partes (solamente defectos de manufacturación)**.

W Appliance Co. acepta que, de acuerdo con su criterio, reemplazará el producto defectuoso por uno nuevo o uno remanufacturado equivalente a su compra original durante el período de garantía.

**Exclusiones:** Esta garantía no aplica a lo siguiente:

1. Si la apariencia o el exterior del producto han sido dañados o desfigurados, alterados o modificados en diseño o construcción.
2. Si el número de serie original del producto ha sido alterado o removido o no puede ser determinado fácilmente.
3. Si hay daños debido a sobretensión en la línea eléctrica, daño por parte del usuario al cable de alimentación de CA o conexión a una fuente de voltaje no adecuada.
4. Si el daño se debe al mal uso general, accidentes o "actos de Dios".
5. Si existen intentos de reparación por parte de agentes de servicio no autorizados, uso de partes que no sean originales u obtenidas de personas que no sean las compañías de servicio autorizadas.
6. Unidades que hayan sido transferidas por el dueño original a un tercero.
7. A productos que hayan sido comprados como renovados, como nuevos, de segunda mano, en términos de venta final o "como se ve".
8. A productos usados en un entorno comercial o de alquiler.
9. A productos usados en entornos que no sean el doméstico ordinario o usados de otra manera que no sea de acuerdo con las instrucciones brindadas.
10. A daños por visitas técnicas por instalaciones inadecuadas.
11. Costos de transporte y envío asociados con el reemplazo de la unidad.
12. Visitas técnicas para darle instrucciones de cómo usar su producto.
13. Visitas técnicas para reparar o cambiar el fusible de la casa, reiniciar el disyuntor o corregir el cableado de la casa.

LA REPARACIÓN O EL REMPLAZO COMO SE ESTABLECE EN ESTA GARANTÍA SON LA SOLUCIÓN EXCLUSIVA DEL CLIENTE; W Appliance Co. NO SERÁ RESPONSABLE POR CUALQUIER DAÑO ACCIDENTAL O A CONSECUENCIA DEL INCUMPLIMIENTO DE CUALQUIER GARANTÍA EXPRESADA O IMPLÍCITA SOBRE ESTE PRODUCTO, EXCEPTO EN LA MEDIDA DE LO PROHIBIDO POR LA LEY VIGENTE. CUALQUIER GARANTÍA IMPLÍCITA DE COMERCIABILIDAD O APTITUD PARA UN PROPÓSITO EN PARTICULAR DE ESTE PRODUCTO SE LIMITA A LA DURACIÓN DE LA GARANTÍA.

Algunos estados no permiten la exclusión o las limitaciones de daños accidentales o consecuentes, o limitaciones de qué tan larga es la garantía. En estos casos, las exclusiones o limitaciones antes mencionadas no se aplican a usted. Esta garantía le otorga derechos legales específicos y puede que tenga también otros derechos que varían de estado a estado.

**Obtención de servicio:** Para obtener servicio, literatura del producto, suministros y accesorios, por favor llame al **844-299-0879** para crear un ticket de cambio o reparación. Por favor, asegúrese de proporcionar la fecha de compra, número de modelo y una breve descripción del problema. Un representante de nuestro servicio de atención al cliente lo contactará o le enviará instrucciones detalladas para la devolución.

W Appliance Co. no garantiza que el aparato funcionará adecuadamente en todas las condiciones ambientales, y no otorga garantía alguna ni defensa, ya sea implícita o expresada, con respecto a la calidad, desempeño, comerciabilidad, o aptitud para un propósito particular más allá del que se especifica en este manual de usuario. W Appliance Co. ha realizado todos los esfuerzos para asegurarse de que este manual es preciso y renuncia a la responsabilidad sobre cualquier imprecisión u omisión que pueda haber ocurrido. La información en este manual de usuario está sujeta a cambiar sin aviso previo y no representa un compromiso por parte de W Appliance Co. W Appliance Co. se reserva el derecho de hacer mejoras a este manual de usuario y/o al producto descrito en este manual de usuario en cualquier momento sin aviso previo. Si encuentra en este manual información que sea incorrecta, engañosa, o esté incompleta, por favor contáctenos al **844-299-0879**.

W Appliance Co.  
1356 Broadway  
New York, NY 10018



BLACK & DECKER, BLACK+DECKER, los logotipos y nombres de productos de BLACK & DECKER y BLACK+DECKER son marcas comerciales de The Black & Decker Corporation, utilizadas bajo licencia. Todos los derechos reservados.

El producto de esta caja puede variar ligeramente del mostrado. No afecta la función. Todos los accesorios que se muestran en la fotografía no están incluidos en este paquete.

Importado por W Appliance, Inc., 1356 Broadway, Nueva York, NY 10018  
Servicio al cliente: 844-299-0879