

BLACK+ DECKER

TM

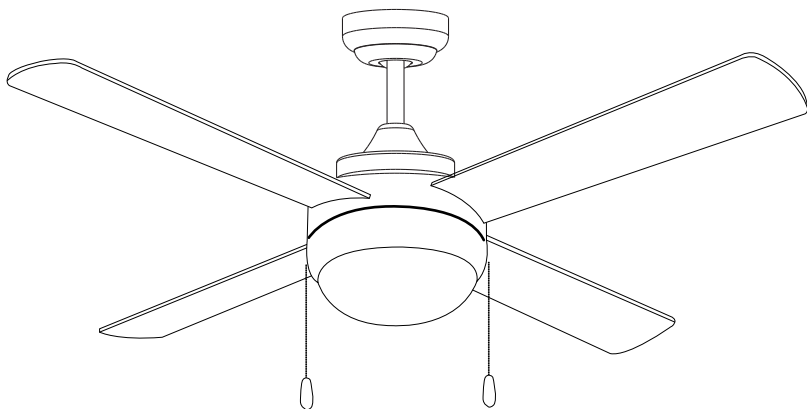
52 IN. CEILING FAN

INSTRUCTION MANUAL

CATALOG NUMBER

BCF5252

BCF5252R



Thank you for choosing BLACK+DECKER!

PLEASE READ BEFORE RETURNING THIS PRODUCT FOR ANY REASON.

If you have a question or experience a problem with your BLACK+DECKER purchase, go to www.blackanddecker.com/instantanswers

If you can't find the answer or do not have access to the Internet, call 844-299-0879 from 10:30 a.m. to 6:30 p.m. EST Mon. - Fri. to speak with an agent. Please have the catalog number available when you call.

SAVE THIS MANUAL FOR FUTURE REFERENCE.

CONTENTS

SAFETY INFORMATION

Important Safety Instructions.....	3-4
Handling Alkaline Batteries.....	5

SET UP & USE

Parts.....	6-7
Features.....	8
Preparing for Installation.....	9
Mounting Bracket Installation.....	10-11
Installing Fan to Ceiling.....	12-13
Blade Installation.....	14
Mounting Fan Assembly.....	15
Wiring Options.....	16-17
Securing Fan to Ceiling.....	18
Light Fixture Installation.....	19
Remote Control Operation.....	20-21
Operation.....	22
Cleaning + Maintenance.....	23

TROUBLE SHOOTING & WARRANTY

Before You Call For Service.....	24
Customer Service.....	24
Troubleshooting.....	25
Limited Warranty.....	26

PRODUCT REGISTRATION

Thank you for purchasing our BLACK+DECKER product. This easy-to-use manual will guide you in getting the best use of your fan.

Remember to record the model and serial numbers. They are on a label on the rear.

Model number

Serial number

Date of purchase

Staple your receipt to your manual.
You will need it to obtain warranty service.

SAFETY INFORMATION



DANGER

DANGER - Immediate hazards which **WILL** result in severe personal injury or death



WARNING

WARNING - Hazards or unsafe practices which **COULD** result in severe personal injury or death



CAUTION

CAUTION - Hazards or unsafe practices which **COULD** result in minor personal injury

IMPORTANT SAFETY INSTRUCTIONS



WARNING

TO REDUCE THE RISK OF FIRE, ELECTRIC SHOCK, OR PERSONAL INJURY, MOUNT TO OUTLET BOX MARKED "ACCEPTABLE FOR FAN SUPPORT OF 35 LBS (15.9 KG) OR LESS" AND USE MOUNTING SCREWS PROVIDED WITH THE OUTLET BOX AND/OR SUPPORT DIRECTLY FROM BUILDING STRUCTURE. MOST OUTLET BOXES COMMONLY USED FOR THE SUPPORT OF LUMINARIES ARE NOT ACCEPTABLE FOR FAN SUPPORT AND MAY NEED TO BE REPLACED. CONSULT A QUALIFIED ELECTRICIAN IF IN DOUBT.

1. READ ALL INSTRUCTIONS BEFORE USE
2. Installation work and electrical wiring must be done by qualified person(s) in accordance with all applicable codes and standards, including fire-rated construction.
3. Use this unit only in the manner intended by the manufacturer. If you have any questions contact the manufacturer.
4. After making the wire connections, gently push connections into outlet box with wire nuts pointing up. The wires should be spread apart with the grounded conductor and the equipment grounding conductor on one side of the outlet box and ungrounded conductor on the other side of the outlet box.
5. Before you begin installing the fan, Switch power off at Service panel and lock service disconnecting means to prevent power from being switched on accidentally. When the service disconnecting means cannot be locked, securely fasten a prominent warning device, such as a tag, to the service panel.
6. Be cautious! Read all instructions and safety information before installing your new fan. Review the accompanying assembly diagrams.
7. When cutting or drilling into wall or ceiling, do not damage electrical wiring and other hidden utilities.
8. Make sure the installation site you choose allows the fan blades to rotate without any obstructions. Allow a minimum clearance of 7 feet (2.1 meters) from the floor to the trailing edge of the blade.

SAFETY INFORMATION

9. To reduce the risk of fire, electric shock, or personal injury, this fan must be mounted to an outlet box marked suitable for fan support. And use mounting screws provided with the outlet box. (Mounting must support at least 35 lbs. (15.9 kg))
10. **WARNING: TO REDUCE THE RISK OF PERSONAL INJURY** Do not bend blade holders during installation to motor, balancing or during cleaning. Do not insert foreign object between rotating blades.
11. Attach the mounting bracket using only the hardware supplied with the outlet box. Fan is only to be mounted to an outlet box marked "Acceptable for Fan Support".
12. Do not install within a zone measured 3 feet horizontally and 8 feet vertically from the top of the bathtub rim or shower stall threshold.
13. Before servicing or cleaning unit, Switch power off at Service panel and lock service disconnecting means to prevent power from being switched on accidentally. When the service disconnecting means cannot be locked, securely fasten a prominent warning device, such as a tag, to the service panel.
14. All set screws must be checked and re-tightened where necessary before installation.
15. Installation work and electrical wiring must be done by qualified person(s) in accordance with applicable codes and standards, including fire-rated construction.

WARNING

To reduce the risk of fire or electric shock, do not use this fan with any solid-state speed control device.

WARNING

To reduce the risk of personal injury, do not bend the blade brackets when installing the brackets, balancing the blades, or cleaning the fan. Do not insert foreign objects in between rotating fan blades. Use only with light kits marked suitable for use in damp locations.

**READ AND SAVE THESE
INSTRUCTIONS
HOUSEHOLD USE ONLY**

SAFETY INFORMATION

HANDLING ALKALINE BATTERIES

WARNING

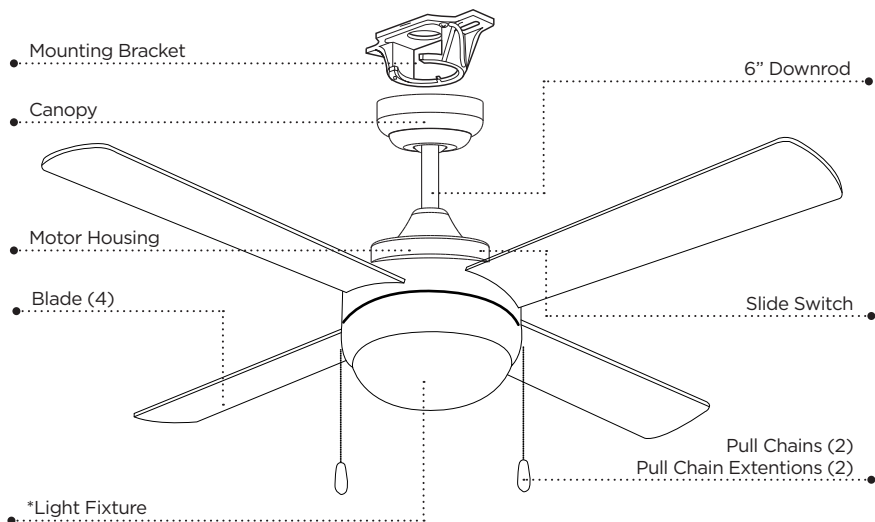
When handling alkaline batteries, basic safety precautions should be followed, including the following

1. Should fluid from the battery accidentally get into your eyes, there is a threat of loss of eyesight, do not rub them. Immediately rinse your eyes with clean tap water and then consult a physician immediately.
2. Do not put the battery in a fire, expose it to heat, dismantle or modify it. If the insulation or safety valve is damaged, the battery may leak fluid, overheat or explode.
3. Do not insert the battery with the poles reversed. Doing so may cause some abnormality or a short and the battery may leak fluid, overheat or explode.
4. Keep the battery out of the reach of children. If the battery is swallowed, contact a physician immediately.
5. If the alkali fluid gets in your mouth, rinse your mouth with water and contact a physician immediately.
6. If the alkali fluid gets on your skin or clothes, it may burn your skin, thoroughly rinse the affected area with tap water.
7. Do not mix new and old batteries or other makes of batteries. The different attributes may cause the battery to leak fluid, overheat or explode.
8. This battery was not made to be recharged. Recharging this battery may damage the insulation or internal structure and may cause the battery to leak fluid, overheat or explode.
9. Do not damage or remove the label on the exterior of the battery. Doing so may cause the battery to short, leak fluid, overheat or explode.
10. Do not drop, throw or expose the battery to extreme impact. Doing so may cause the battery to leak fluid, overheat or explode.
11. Do not alter the shape of the battery. If the insulation or safety valve is damaged, the battery may leak fluid, overheat or explode.
12. Immediately remove batteries when they have lost all power. Leaving the batteries in the unit for a long time may cause the batteries to leak fluid, overheat or explode due to gas that is generated by the batteries.

Contact your local government for disposal practices in your area.

SET UP & USE

PARTS



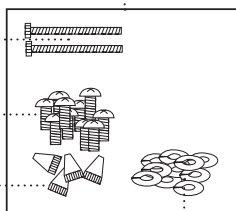
● Hardware Pack

● Screws

● Screws for fan blade

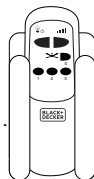
● Wire Connectors

● Washers for fan blade



● *Remote Control and holder

● *Remote Receiver



* Batteries not included with remote. Use (2) size "AA" alkaline batteries.

* Bulbs not included with light fixture (2) type A-19, 60W bulbs required.

* Not all models contain a remote control, remote receiver and remote control holder. Only model BCF5252R.

* Not all models contain pull chains and extensions. Only model BCF5252

SET UP & USE

PARTS INCLUDED

A. Mounting Bracket

B. Canopy

C. 6" Downrod assembly

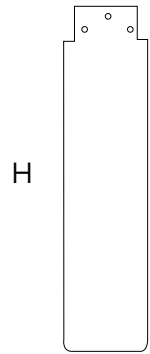
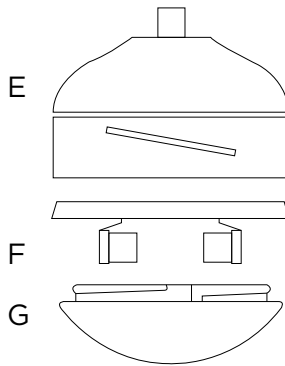
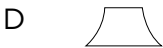
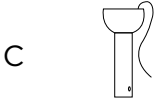
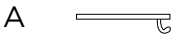
D. Yoke Cover

E. Fan Motor Assembly

F. Motor Cover

G. Glass Cover (Light Fixture)

H. Fan Blades (4)



BCF5252R

Remote Control

Remote Receiver

Remote Control Holder

2 Screws for Remote Control Holder

BCF5252

Pull Chain (2)

Pull Chain Extensions (2)

RECOMMENDED TOOLS

Ladder

Screwdrivers

Pliers

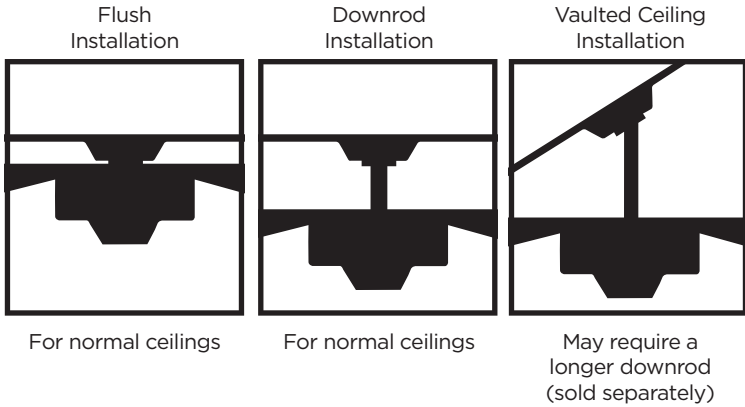
Wire Strippers

Electrical Tape

(optional) Power drill and drill bit

SET UP & USE

FEATURES



CAUTION

To reduce the risk of injury to persons, the fan must be installed so that the blades are at a height greater than 7 feet (2.1 meters) above the floor.

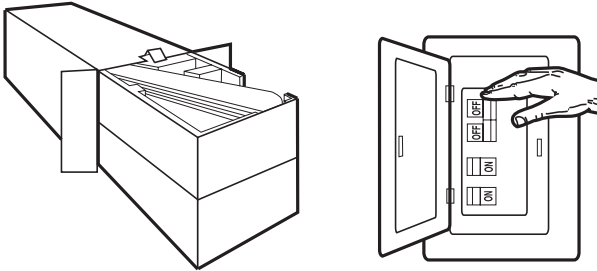
This fan is designed for indoor use only.

SET UP & USE

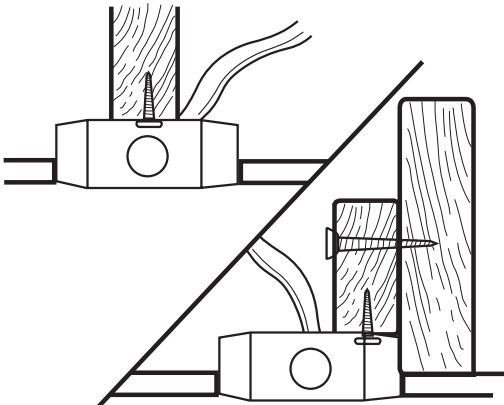
PREPARING FOR INSTALLATION

1. Unpack and inspect fan carefully to be certain all contents are included.

⚠ WARNING: Turn off power at the breaker box or fuse panel to avoid possible electrical shock.



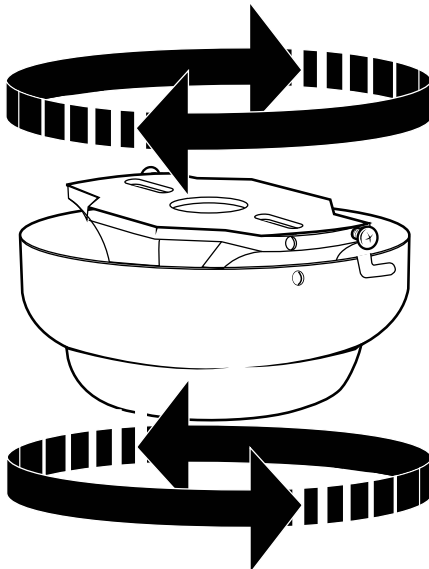
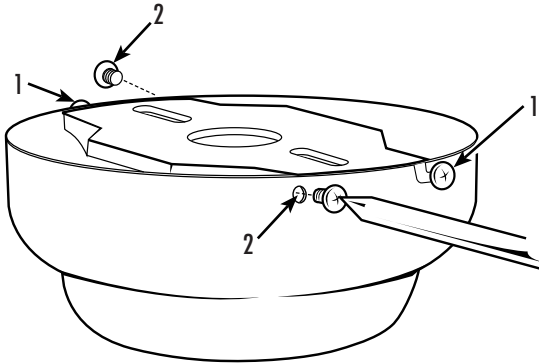
2. Use a listed metal outlet box suitable for fan support (rated for 35 lbs (15.9 kg)). Before attaching fan to outlet box, ensure the outlet box is securely fastened by at least two points to a structural ceiling member (a loose box will cause the fan to wobble).



SET UP & USE

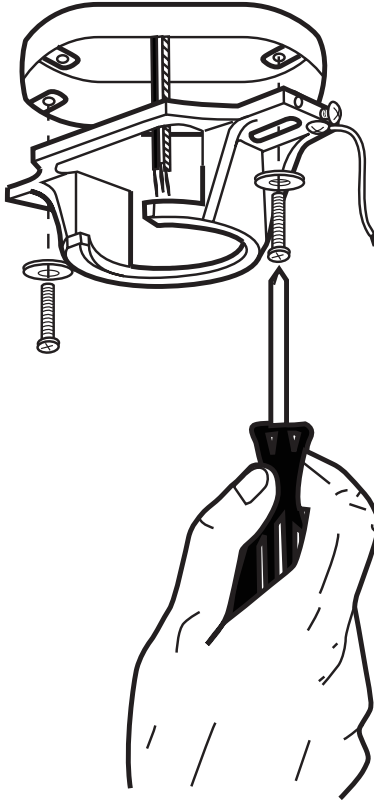
MOUNTING BRACKET INSTALLATION

3. Remove the screws from the two mating holes (2) on the canopy. Loosen (do not remove) the screws in the mating slots (1) on the canopy. Rotate the mounting bracket and remove from the canopy.



SET UP & USE

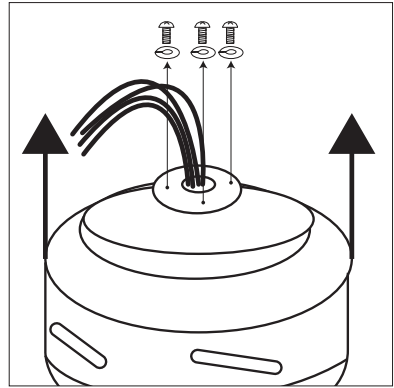
4. Install mounting bracket to outlet box in ceiling using the screws and washers provided with the outlet box.



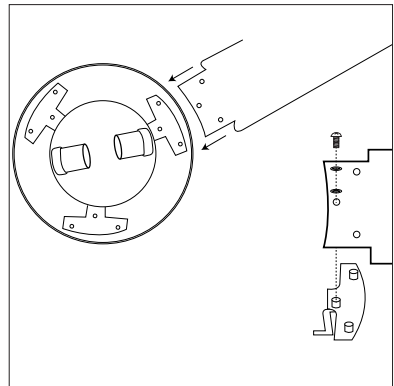
SET UP & USE

BLADE INSTALLATION

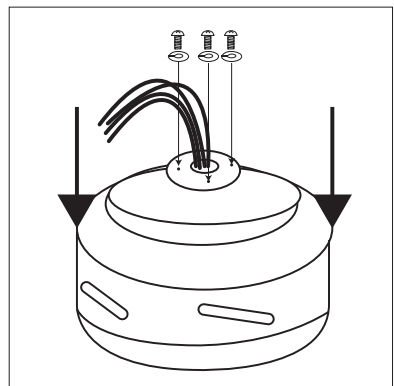
5. A. Remove the 3 screws and lock washers on the top housing cover of the fan motor assembly. Lift off the housing cover.



- B. Insert the blade into the slots in the housing. Secure each blade to the blade bracket with the provided 3 screws and 3 washers. Secure each blade to the blade bracket with the provided 3 screws and 3 washers.



- C. Once all the blades are installed, reattach the top housing cover using the previously removed screws and lock washers.

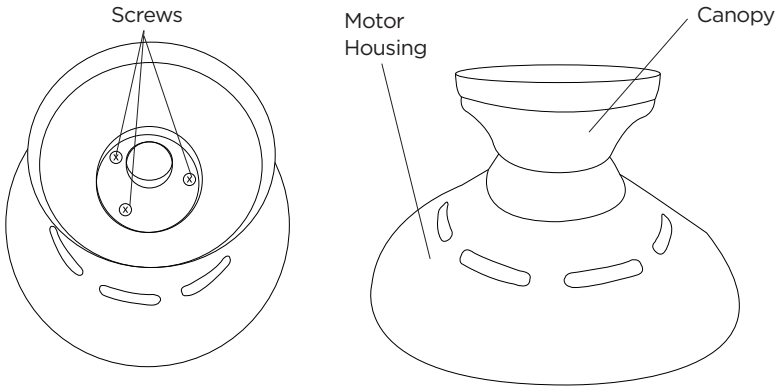


SET UP & USE

6. Choose a **MOUNTING OPTION** (Shown on page 8):

FLUSH INSTALLATION OPTION

If installing flush, remove the screws from the canopy and reinstall 3 screws to attach the canopy to the motor housing as shown.

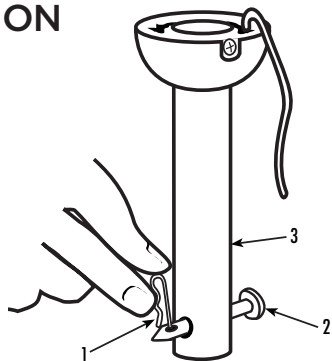


Complete the wiring options as shown on page 16. It will require two people to complete this installation. Someone will need to hold the canopy and motor housing, while the wires are being connected.

If you are installing a ceiling fan with a remote receiver, proceed to page 16, step 11. If you do not need to include a remote receiver, proceed to secure the fan to the ceiling as shown on page 18, step 14.

NORMAL DOWNROD OPTION

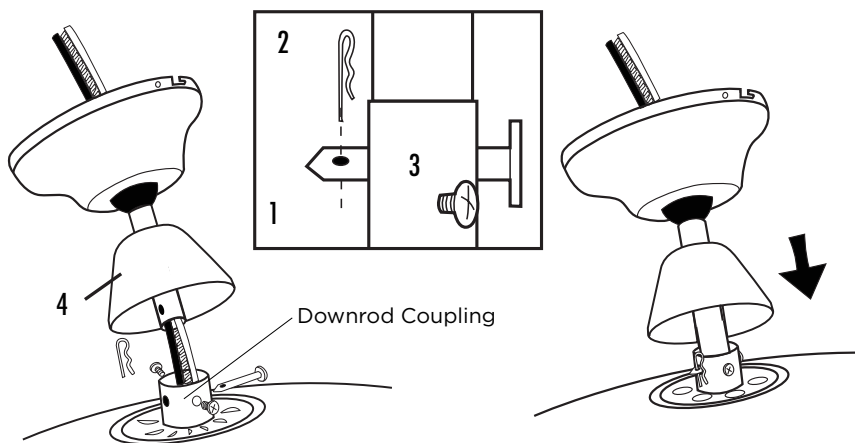
7. Remove clamp pin (1) and cross pin (2) from downrod (3). Proceed to DOWNROD INSTALLATION page 14, step 8.



SET UP & USE

DOWNROD INSTALLATION

8. Insert motor wires through the selected downrod and insert the downrod into the downrod coupling. Make sure to align the hole in the downrod with the hole in the downrod coupling. Install cross pin (1) removed in step 6 through coupling and downrod. Insert clamp pin (2) into cross pin until it snaps into place. Tighten set screws (3) in coupling. Slide coupling cover (4) and canopy onto the downrod above the coupling cover. PROCEED TO PAGE 15, STEP 9.

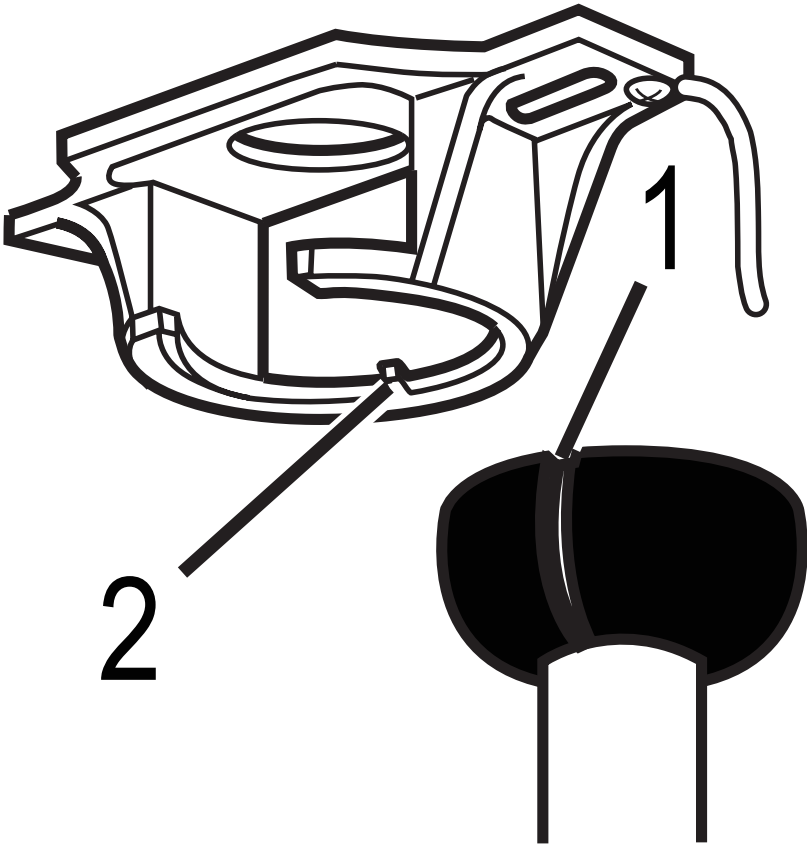


SET UP & USE

MOUNTING

9. Carefully lift fan assembly onto mounting bracket. Rotate fan until notch on downrod ball (1) engages the ridge on the mounting bracket (2). This will allow for hands free wiring for downrod fan installation.

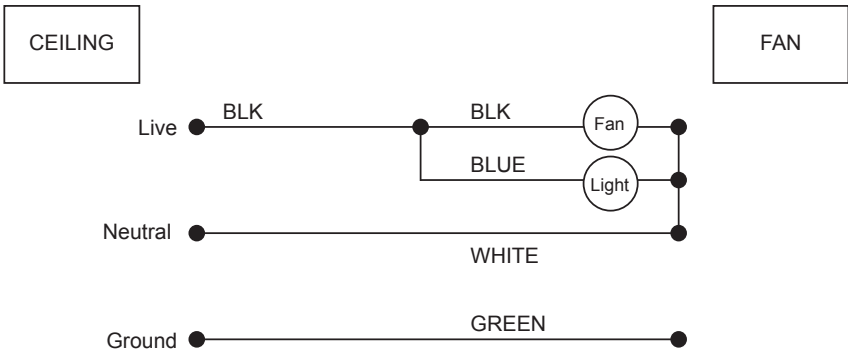
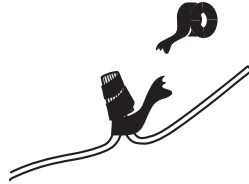
NOTE: If you are installing the fan flush, you will need assistance holding the fan while doing the wiring.



SET UP & USE

WIRING OPTIONS FOR BCF5252 WITH PULL CHAIN

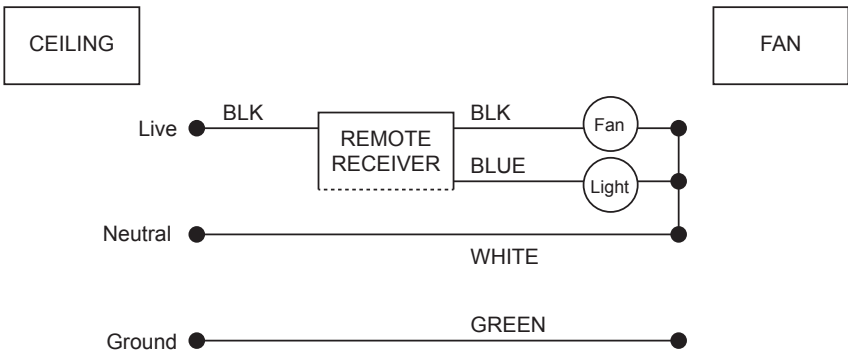
10. In order to make sure no bare wires are exposed after making connections it is recommended to wrap electrical tape around each wire connector to secure wire from being disconnected.



Use supplied wire connectors to connect the wires.

WIRING OPTIONS FOR BCF5252R WITH REMOTE

11. The frequency switches on your receiver and transmitter have been preset at the factory. Please recheck to make sure the switches on transmitter and receiver are set to the same position, any combination of settings will operate the fan as long as the transmitter and receiver are set to the same position.



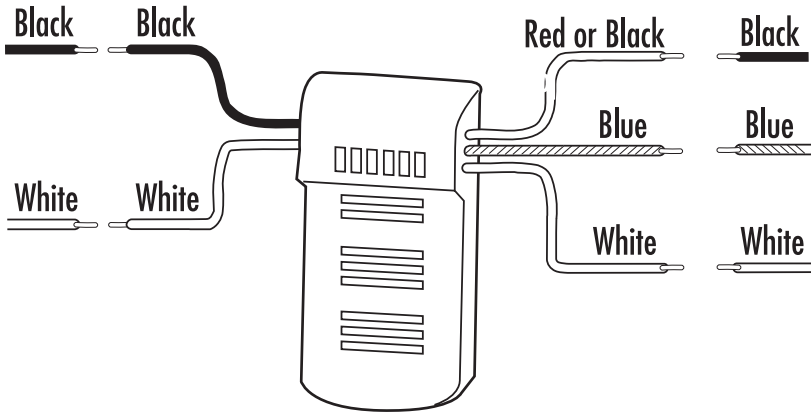
Use supplied wire connectors to connect the wires.

SET UP & USE

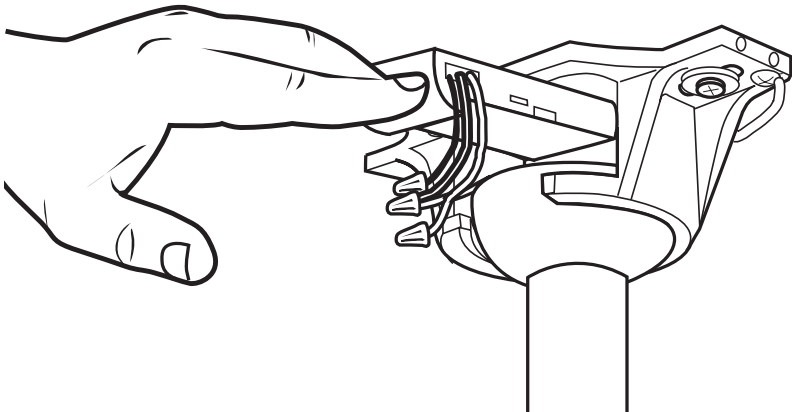
12. Make wiring connections from the ceiling and the fan motor to the remote receiver as shown above. Connect using wire connectors (provided).

Ceiling

Fan



13. Once wiring has been completed insert the remote receiver at the top of the mounting bracket as shown. For downrod fans this will be at the top of the downrod ball.

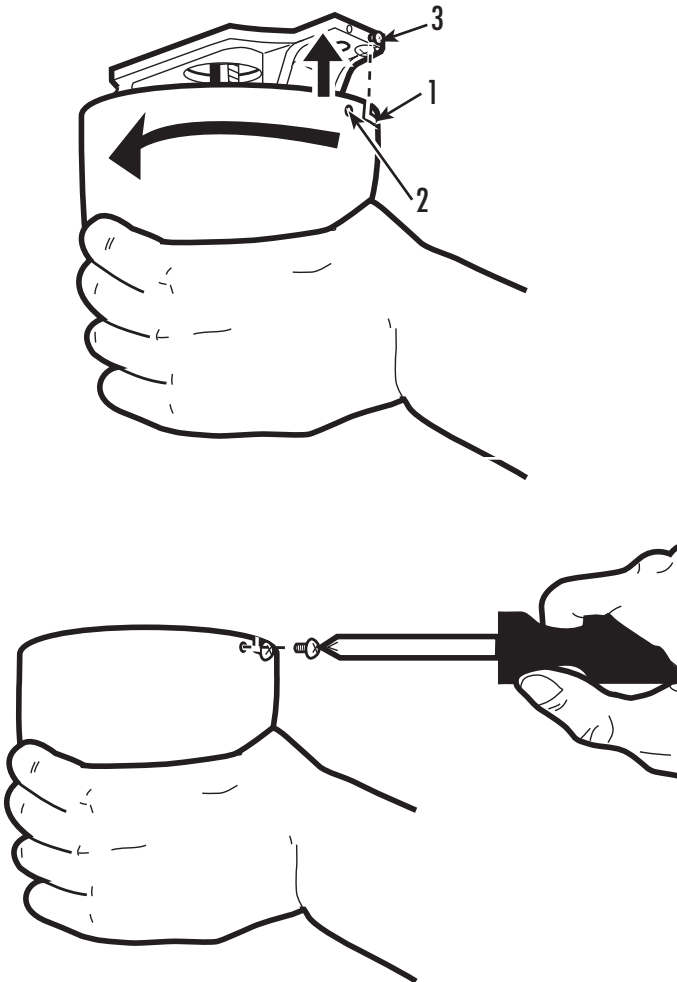


SET UP & USE

SECURE TO CEILING

14. The canopy has two mating slots (1) and two mating holes (2). Position both slots on canopy directly under and in line with two screws in the mounting bracket (3). Lift the canopy, allowing the two screws to slide into the mating slots. Rotate the canopy until both screws from the mounting bracket drop into the slot recesses. Tighten screws securely. Install two screws into the mating holes of the canopy and tighten to secure the canopy to the mounting bracket.

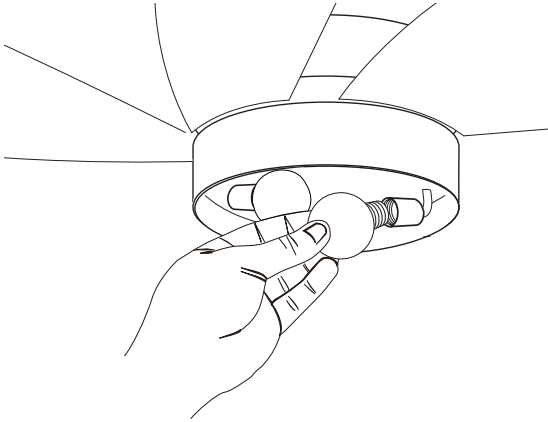
NOTE: For downrod fans, slide the canopy up to the mounting bracket.



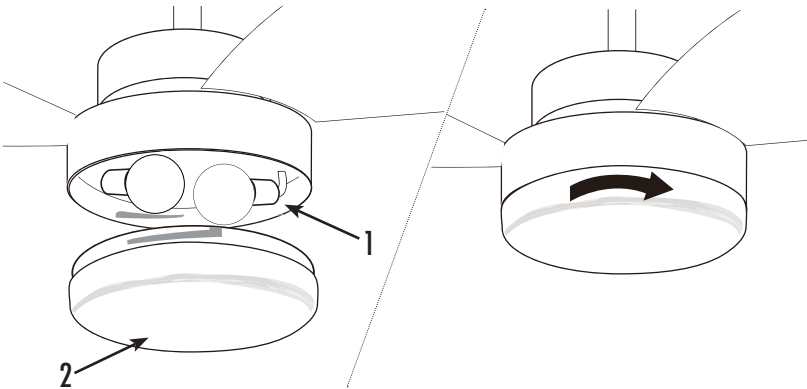
SET UP & USE

LIGHT FIXTURE INSTALLATION

15. Install 2 light bulbs Type A-19, 60W max (not included).



16. Locate the indentations on the neck of the glass (2) and align with the protrusions from the light kit (1). Lift the glass up allowing the protrusions to engage the indentations on the glass, and twist the glass clockwise to lock into place.

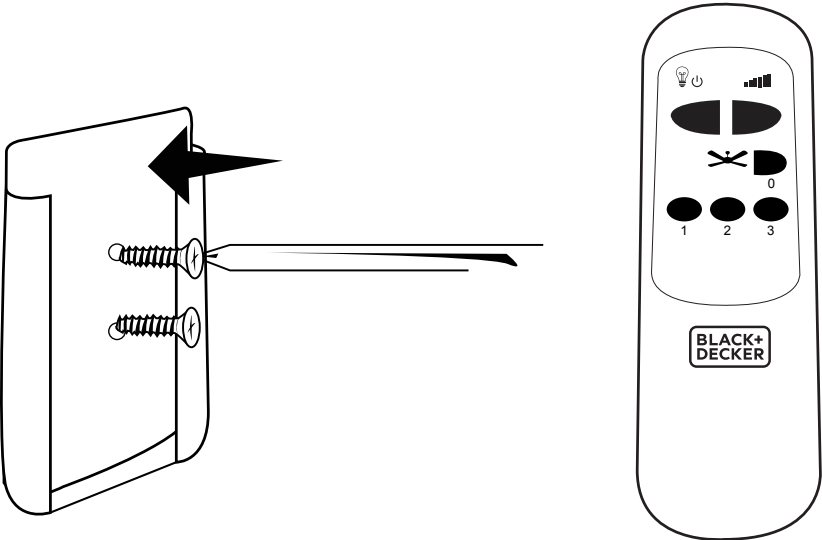


If your model has pull chains you can attach the pull chain extensions using the fobs.

SET UP & USE

17. Model BCF5252R comes with a holder in order to store your remote.

Mount the remote control holder onto the wall using the screws provided. If you do not wish to screw the remote holder into the wall, you may purchase some adhesive at your local hardware store.





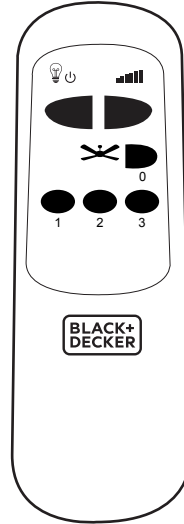
SET UP & USE

REMOTE CONTROL OPERATION

FOR MODEL BCF5252R

Operation button on the remote:

- 1 Fan high speed
- 2 Fan medium speed
- 3 Fan low speed
- 0 Fan off
-  Light on/off
-  Light dimmer



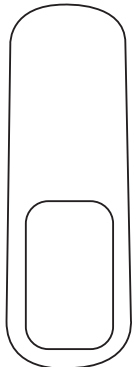
NOTE: Hold down to increase or decrease the light. The light has a memory function so the light will stay at the same brightness as the last time it was turned off.

1. Battery Installation (batteries not included)

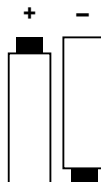
- (1) Slide open the battery compartment cover.
- (2) Insert 2 x "AA" batteries as shown below.
- (3) Slide back on the battery cover.

NOTE: Use size "AA" alkaline batteries. Do not use rechargeable batteries.

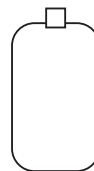
Remote Control



Battery



Battery Cover



SET UP & USE

OPERATION

The slide switch controls direction, forward or reverse.

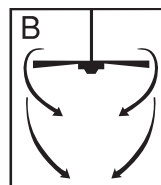
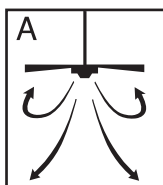
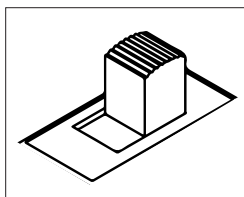
Warm weather - switch on left position.

Fan turns counterclockwise direction. A downward air flow creates a cooling effect as shown in illustration A.

Cool weather - switch on right position (see image).

Fan turns clockwise direction. An upward airflow moves warm air off the ceiling area as shown in illustration B (This function will usually be used in the winter).

NOTE: Turn off and wait for fan to stop before changing the setting of the forward/reverse slide switch.



PULL CHAIN OPERATION

If your model comes equipped with pull chains one pull chain controls the light (on/off). The other pull chain is for the fan speed.

1. The first pull will set the fan to high speed.
2. The second pull will set the fan to medium speed.
3. The third pull will set the fan to low speed.
4. The fourth pull will shut the fan off.

CLEANING + MAINTENANCE

CLEANING + MAINTENANCE

1. Because of the fan's natural movement, some connections may become loose. Check the support connections, brackets, and blade attachments twice a year. Make sure they are secure.
2. Clean your fan periodically to help maintain its new appearance over the years. Do not use water when cleaning. This could damage the motor, or the wood, or possibly cause electrical shock.
3. Use only a soft brush or lint-free cloth to avoid scratching the finish. The plating is sealed with a lacquer coating to minimize discoloration or tarnishing.
4. There is no need to oil your fan. The motor has permanently lubricated bearings.
5. To change (2) size "AA" alkaline batteries, see page 21.
6. To change light bulbs, see page 19.

SET UP & USE

BEFORE YOU CALL FOR SERVICE

IF THE APPLIANCE FAILS TO OPERATE:

Check for a blown circuit fuse or a tripped main circuit breaker. If these seem to be operating properly, test the outlet with another appliance.

IF NONE OF THE ABOVE SOLVES THE PROBLEM, CONTACT A QUALIFIED TECHNICIAN. DO NOT TRY TO ADJUST OR REPAIR THE APPLIANCE YOURSELF.

IMPORTANT

DO NOT RETURN THIS PRODUCT TO THE STORE

If you have a problem with this product, please contact the W Appliance Co. Customer Satisfaction Center at 844-299-0879 or service@appliance.com.

DATED PROOF OF PURCHASE, MODEL # AND SERIAL #
REQUIRED FOR WARRANTY SERVICE

TROUBLESHOOTING & WARRANTY

Troubleshoot your problem by using the chart below. If the appliance still does not work properly, contact W Appliance Co. customer service center. Customers must never troubleshoot internal components.

TROUBLE	POSSIBLE REMEDY
If fan does not start	<ol style="list-style-type: none"> 1. Check main and branch circuit fuses or circuit breakers. 2. Check wire connections as performed applicable installation pages 11-16. CAUTION: Make sure main power is turned off. 3. Make sure forward/reverse switch is firmly in right or left position. Fan will not operate when switch is in the middle. 4. If the fan still will not start, contact a qualified electrician. Do not attempt to troubleshoot internal electrical connections yourself. 5. If remote is being used, check batteries.
If fan sounds noisy	<ol style="list-style-type: none"> 1. Check to make sure all screws in motor housing are snug (not over tightened). 2. Check to make sure the screws which attach the fan blade holder to the motor are tight. 3. Allow "break-in" period of 24 hours. Most noises associated with a new fan will disappear after this period.
If fan wobbles	<ol style="list-style-type: none"> 1. Check that all blades are screwed firmly into blade holders. 2. Check that all blade holders are tightened securely to motor. 3. Make sure that canopy and mounting bracket are tightened securely to ceiling joist. 4. If blade wobble is still noticeable, interchanging two adjacent (side by side) blades can redistribute the weight and possibly result in smoother operation.
If light does not work	<ol style="list-style-type: none"> 1. Check for faulty light bulbs. 2. Check to see that the wire connections in the switch housing are connected. 3. If light kit will still not operate, contact a qualified electrician for assistance.

TROUBLESHOOTING & WARRANTY

LIMITED WARRANTY

Any repair, replacement, or warranty service, and all questions about this product should be directed to W Appliance Co. at **844-299-0879** from the USA or Puerto Rico.

W Appliance Co. warrants to the original purchaser that the product will be free from defects in material, parts and workmanship for the period designated for this product. The warranty commences the day the product is purchased and covers up to a period of **1 year (12 months) for labor/1 year (12 months) for parts (manufacturing defects only)**.

W Appliance Co. agrees that it will, at its option, replace the defective product with either a new or remanufactured unit equivalent to your original purchase during the warranty period.

Exclusions: This warranty does not apply to the below:

1. If the appearance or exterior of the product has been damaged or defaced, altered or modified in design or construction.
2. If the product original serial number has been altered or removed or cannot be readily determined.
3. If there is damaged due to power line surge, user damage to the AC power cord or connection to improper voltage source.
4. If damage is due to general misuse, accidents or acts of God.
5. If repair attempts are done by unauthorized service agents, use of parts other than genuine parts or parts obtained from persons other than authorized service companies.
6. On units that have been transferred from the original owner.
7. On products that have been purchased as refurbished, like new, second-hand, in a "As-Is" or "Final Sale" terms.
8. To products used in a commercial or rental setting.
9. To products used in settings other than ordinary household use or used other than in accordance with the provided instructions.
10. To damages for service calls for improper installations.
11. Transportation and shipping costs associated with the replacement of the unit.
12. Service calls to instruct you how to use your product.
13. Service calls to repair or replace the house fuse, reset the circuit breaker or correct the wiring in the house.

REPAIR OR REPLACEMENT AS PROVIDED UNDER THIS WARRANTY IS THE EXCLUSIVE REMEDY OF THE CUSTOMER; W Appliance Co. SHALL NOT BE LIABLE FOR ANY INCIDENTAL OR CONSEQUENTIAL DAMAGES FOR BREACH OF ANY EXPRESS OR IMPLIED WARRANTY ON THIS PRODUCT, EXCEPT TO THE EXTENT PROHIBITED BY APPLICABLE LAW. ANY IMPLIED WARRANTY OF MERCHANTABILITY OF FITNESS FOR A PARTICULAR PURPOSE ON THIS PRODUCT IS LIMITED TO THE DURATION OF THE WARRANTY.

Some states do not allow the exclusion or limitations of incidental or consequential damages, or limitations on how long the warranty lasts. In these cases the above exclusions or limitations may not apply to you. This warranty gives you specific legal rights and you may also have other rights which vary from state to state.

Obtaining Service: To obtain service, product literature, supplies or accessories please call **844-299-0879** to create a ticket for exchange/repair. Please make sure to provide the date of purchase, model number and a brief description of the problem. Our customer service representative will contact you or send detailed return instructions.

W Appliance Co. does not warrant that the appliance will work properly in all environmental conditions, and makes no warranty and representation, either implied or expressed, with respect to the quality, performance, merchantability, or fitness for a particular purpose other than the purpose identified within this user's manual. W Appliance Co. has made every effort to ensure that this user's manual is accurate and disclaims liability for any inaccuracies or omissions that may have occurred. Information in this user's manual is subject to change without notice and does not represent a commitment on the part of W Appliance Co.. W Appliance Co. reserves the right to make improvements to this user's manual and/or to the products described in this user's manual at any time without notice. If you find information in this manual that is incorrect, misleading, or incomplete, please contact us at **844-299-0879**.

W Appliance Co.
1356 Broadway
New York, NY 10018

This device complies with part 15 of the FCC rules. Operation is subject to the following two conditions: 1) This device may not cause harmful interference, and 2) This device must accept any interference received, including interference that may cause undesired operation. This equipment has been tested and found to comply with the limits for a Class B digital device, pursuant to Part 15 of the FCC rules. These limits are designed to provide reasonable protection against harmful interference in a residential installation. This equipment generates, uses and can radiate radio frequency energy and, if not installed and used in accordance with the instructions, may cause harmful interference to radio communications. However, there is no guarantee that the interference will not occur in a particular installation. If this equipment does cause harmful interference to radio or television reception, which can be determined by turning the equipment off and on, the user is encouraged to try to correct the interference by one or more of the following measures: a) Reorient or relocate the receiving antenna. b) Increase the separation between the equipment and the receiver. c) Connect the equipment into an outlet different from that which the receiver is connected. d) Consult the dealer or an experienced radio/TV technician for help.

BLACK+ DECKER

TM

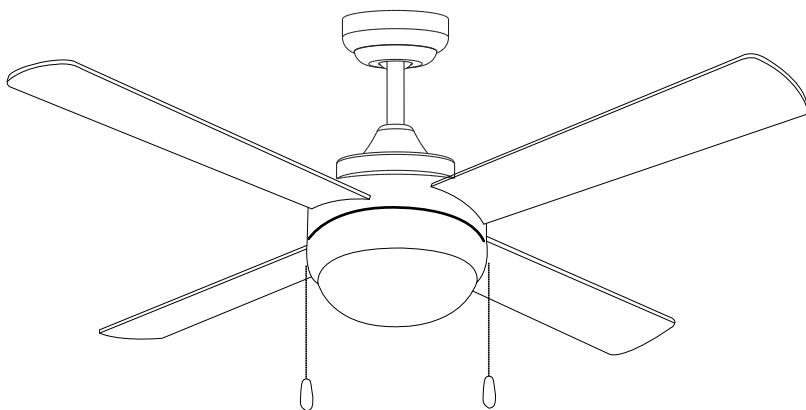
VENTILADOR DE TECHO DE 52"

MANUEL D'UTILISATION

NUMÉRO DE CATALOGUE

BCF5252

BCF5252R



Merci d'avoir choisi BLACK+DECKER!

VEUILLEZ LIRE AVANT DE RETOURNER CE PRODUIT POUR QUELQUE RAISON.

Si vous avez une question ou rencontrez un problème avec votre achat BLACK+DECKER, allez à www.blackanddecker.com/instantanswers
Si vous ne trouvez pas la réponse ou n'avez pas accès à Internet, appelez 844-299-0879 de 10h30 à 18h30 HNE du lun. au ven. pour parler avec un agent. Veuillez avoir le numéro de catalogue disponible lorsque vous appelez.

CONSERVEZ CE MANUEL POUR TOUTE CONSULTATION ULTÉRIEURE.

TABLE DES MATIÈRES

INFORMATIONS DE SÉCURITÉ

Information sur la sécurité.....	31-32
Manipulation des Piles Alcalines	33

CONFIGURATION ET UTILISATION

Pièces.....	34-35
Caractéristiques.....	36
Préparation à l'Installation.....	37
Installation du Support de Montage.....	38-39
Montage du Ventilateur au Plafond.....	40-42
Installation de Pale	42
Options de Câblage.....	44-45
Fixation du Ventilateur au Plafond.....	46
Installation du Luminaire	47
Fonctionnement de la Télécommande.....	48-49
Opération.....	50
Nettoyage + Maintenance	51

DÉPANNAGE ET GARANTIE

Avant d'Appeler Pour Le Service.....	52
Service Client.....	52
Dépannage.....	53
Garantie Limitée	54

ENREGISTREMENT DU PRODUIT

Merci d'avoir acheté notre produit BLACK+DECKER. Ce manuel facile à utiliser vous aidera à tirer le meilleur parti de ventilateur.

N'oubliez pas d'enregistrer le modèle et numéros de série. Ils sont sur une étiquette à l'arrière.

Numéro de modèle

Numéro de série

Date d'achat

Agrafez votre reçu à votre manuel.
Vous en aurez besoin pour obtenir un service de garantie.

INFORMATIONS DE SÉCURITÉ



DANGER

DANGER - Dangers immédiats qui entraîneront des blessures graves ou la mort



ATTENTION

ATTENTION - Dangers ou pratiques dangereuses qui POURRAIENT entraîner des blessures graves ou la mort



MISE EN GARDE

MISE EN GARDE - Dangers ou pratiques dangereuses pouvant entraîner des blessures corporelles mineures

CONSIGNES DE SÉCURITÉ IMPORTANTES



WARNING

POUR RÉDUIRE LE RISQUE D'INCENDIE, DE CHOC ÉLECTRIQUE OU DE BLESSURE PERSONNELLE, INSTALLER SUR UNE BOÎTE DE SORTIE MARQUÉE "ACCEPTABLE POUR UN SUPPORT DE VENTILATEUR DE 35 LIVRES (15.9 KG) OU MOINS" ET UTILISER LES VIS DE MONTAGE FOURNIES AVEC LA BOÎTE DE SORTIE ET/OU LE SUPPORTER DIRECTEMENT DE LA STRUCTURE DU BÂTIMENT. LA PLUPART DES BOÎTES DE SORTIE COURAMMENT UTILISÉES POUR LE SOUTIEN DES LUMINAIRES NE SONT PAS ACCEPTABLES POUR LE SOUTIEN DU VENTILATEUR ET PEUVENT AVOIR BESOIN D'ÊTRE REMPLACÉES. CONSULTER UN ÉLECTRICIEN QUALIFIÉ EN CAS DE DOUTE.

1. LIRE TOUTES LES INSTRUCTIONS AVANT UTILISATION
2. Les travaux d'installation et le câblage électrique doivent être effectués par une ou des personnes qualifiées conformément à tous les codes et normes applicables, y compris la construction résistante au feu.
3. Utilisez cet appareil uniquement de la manière prévue par le fabricant. Si vous avez des questions, contactez le fabricant.
4. Après avoir effectué les connexions des fils, poussez les connexions doucement dans la boîte de sortie avec les écrous de fil vers le haut. Les fils doivent être écartés avec le conducteur mis à la terre et le conducteur de mise à la terre de l'équipement d'un côté de la boîte de sortie et le conducteur non mis à la terre de l'autre côté de la boîte de sortie.
5. Avant de commencer l'installation du ventilateur, mettez le panneau de service hors tension et verrouillez les moyens de déconnexion du service afin d'éviter toute mise sous tension accidentelle. Lorsque les moyens de déconnexion du service ne peuvent pas être verrouillés, fixez fermement un dispositif d'avertissement proéminent, tel qu'une étiquette, sur le panneau de service.
6. Soyez prudent! Lisez toutes les instructions et les informations de sécurité avant d'installer votre nouveau ventilateur. Consultez les schémas d'assemblage qui l'accompagnent.

INFORMATIONS DE SÉCURITÉ

7. Lors de la coupe ou du perçage dans le mur ou le plafond, ne pas endommager le câblage électrique et les autres accessoires cachés.
8. Assurez-vous que le site d'installation choisi permet aux pales du ventilateur de tourner sans aucune obstruction. Laissez un espace minimum de 7 pieds (2.1 mètres) du sol jusqu'au bord traînant de la pale.
9. Pour réduire les risques d'incendie, d'électrocution ou de blessure personnelle, ce ventilateur doit être installé sur une boîte de sortie indiquée pour le support du ventilateur. Et utilisez les vis de montage fournies avec la boîte de sortie. (Le support doit supporter au moins 35 livres. (15.9 kg)
10. **AVERTISSEMENT: POUR RÉDUIRE LE RISQUE DE BLESSURE PERSONNELLE** Ne pliez pas les porte-pales pendant l'installation sur le moteur, l'équilibrage ou le nettoyage. N'insérez pas d'objet étranger entre les pales rotatives.
11. Fixez le support de montage en utilisant uniquement le matériel fourni avec le boîtier de sortie. Le ventilateur ne doit être installé que sur une boîte de sortie portant la mention "Acceptable pour le Support de Ventilateur".
12. Ne pas installer dans une zone de 3 pieds horizontalement et de 8 pieds verticalement à partir du haut du seuil de la baignoire ou de la cabine de douche.
13. Avant l'entretien ou le nettoyage de l'unité, mettez le panneau de service hors tension et verrouillez les moyens de déconnexion du service afin d'éviter toute mise sous tension accidentelle. Lorsque les moyens de déconnexion du service ne peuvent pas être verrouillés, fixez fermement un dispositif d'avertissement proéminent, tel qu'une étiquette, sur le panneau de service.
14. Toutes les vis de blocage doivent être vérifiées et resserrées si nécessaire avant l'installation.
15. Les travaux d'installation et le câblage électrique doivent être effectués par des personnes qualifiées conformément aux codes et aux normes applicables, y compris la construction résistante au feu.

SAUVEGARDER CES INSTRUCTIONS
USAGE DOMESTIQUE SEULEMENT

INFORMATIONS DE SÉCURITÉ

MANIPULATION DES PILES ALCALINES

ATTENTION

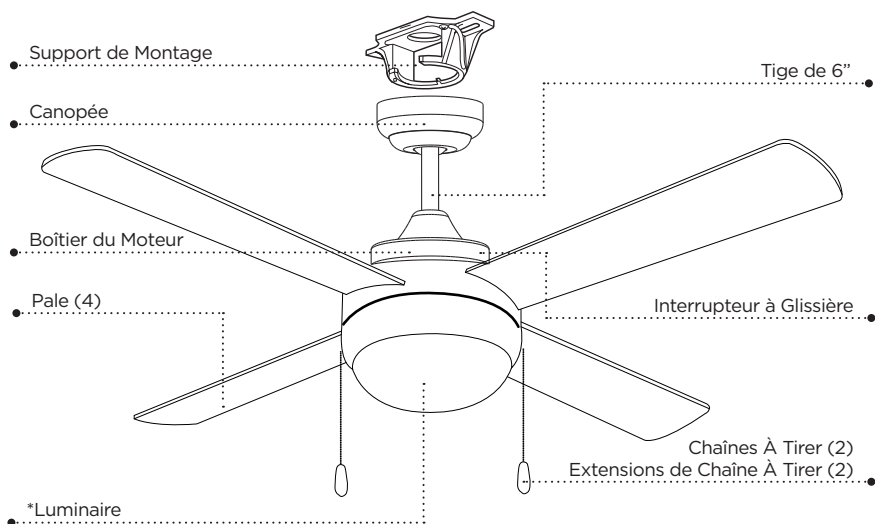
Lors de la manipulation des piles alcalines, des précautions de sécurité de base doivent être suivies, y compris les suivantes

1. Si le liquide de la pile entre accidentellement dans vos yeux, il y a une menace de perte de la vue, ne pas les frotter. Rincez immédiatement les yeux avec de l'eau propre du robinet et consultez immédiatement un médecin.
2. Ne mettez pas la pile au feu, ne l'exposez pas à la chaleur, ne la démontez pas et ne la modifiez pas. Si l'isolation ou la soupape de sécurité est endommagée, la pile peut fuir, surchauffer ou exploser.
3. N'insérez pas la pile avec les pôles inversés. Cela pourrait provoquer une anomalie ou un court-circuit et la pile pourrait fuir, surchauffer ou exploser.
4. Gardez la pile hors de portée des enfants. Si la pile est avalée, contactez immédiatement un médecin.
5. Si le liquide alcalin pénètre dans votre bouche, rincez-vous la bouche avec de l'eau et contactez immédiatement un médecin.
6. Si le liquide alcalin s'infiltré sur la peau ou les vêtements, cela peut brûler votre peau, rincer abondamment la zone affectée avec de l'eau du robinet.
7. Ne mélangez pas des piles neuves et usagées ou d'autres marques de piles. Les différents attributs peuvent entraîner une fuite de la pile, une surchauffe ou une explosion.
8. Cette pile n'a pas été faite pour être rechargée. Recharger cette pile peut endommager l'isolation ou la structure interne et provoquer une fuite de liquide, une surchauffe ou une explosion de la pile.
9. Ne pas endommager ou enlever l'étiquette sur l'extérieur de la pile. Cela peut provoquer un court-circuit de la pile, une fuite de liquide, une surchauffe ou une explosion.
10. Ne pas laisser tomber, jeter ou exposer la pile à un impact extrême. Cela pourrait entraîner une fuite de la pile, une surchauffe ou une explosion.
11. Ne modifiez pas la forme de la pile. Si l'isolation ou la soupape de sécurité est endommagée, la pile peut fuir, surchauffer ou exploser.
12. Retirez immédiatement les piles quand elles ont perdu toute leur puissance. Si vous laissez les piles dans l'appareil pendant une longue période, les piles risquent de fuir, de surchauffer ou d'exploser à cause du gaz produit par les piles.

Contactez votre gouvernement local pour les pratiques d'élimination dans votre région.

CONFIGURATION ET UTILISATION

PIÈCES



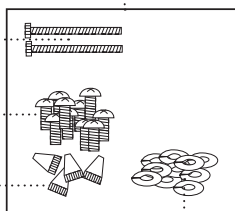
Paquet Quincaillerie

Vis

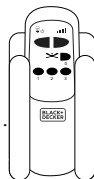
Vis pour pale de ventilateur

Serre-fils

Rondelles pour pale de ventilateur



*Télécommande et support



*Récepteur à Distance



* Piles non fournies avec la télécommande. Utilisez (2) piles alcalines "AA".

* Ampoules non incluses avec le luminaire (2) ampoules type A-19, de 60W requises.

* Tous les modèles ne contiennent pas de télécommande, de récepteur à distance et de support de télécommande. Seulement le modèle BCF5252R.

* Tous les modèles ne contiennent pas de chaînes à tirer et d'extensions. Seulement le modèle BCF5252

CONFIGURATION ET UTILISATION

PIÈCES INCLUSES

A. Support de Montage

B. Canopée

C. Ensemble de tige de 6po

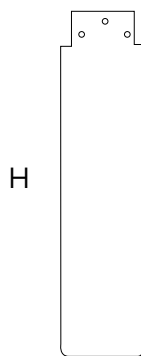
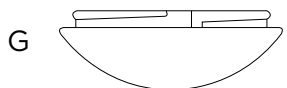
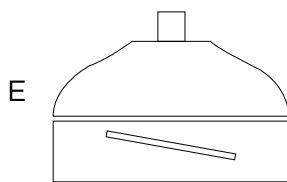
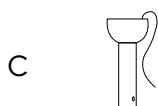
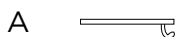
D. Couvercle de Culasse

E. Assemblée du Moteur du Ventilateur

F. Couvercle de Moteur

G. Couvercle de Verre (Luminaire)

H. Pales de Ventilateur (4)



BCF5252R

Télécommande

Récepteur à Distance

Support de Télécommande

2 Vis pour Support de Télécommande

BCF5252

Chaîne à Tirer (2)

Extensions de Chaîne à Tirer (2)

OUTILS RECOMMANDÉS

Échelle

Tournevis

Pince

Pince à Dénuder

Ruban Électrique (en option)

Perceuse et forêt

CONFIGURATION ET UTILISATION

CARACTÉRISTIQUES

Installation
Encastrée



Pour les plafonds
normaux

Installation
sur Tige



Pour les plafonds
normaux

Installation au
Plafond Voûté



Peut nécessiter une
tige de suspension
plus longue (vendue
séparément)



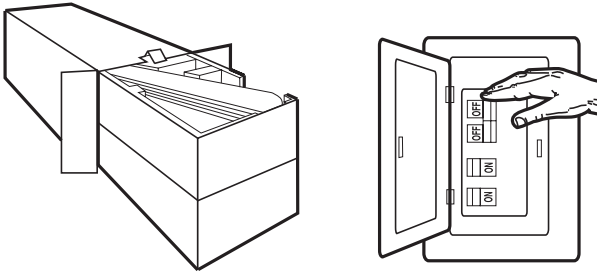
ATTENTION

Pour réduire le risque de blessure aux personnes, le ventilateur doit être installé de sorte que les pales soient à une hauteur supérieure à 2.1 mètres (7 pieds) au-dessus du sol.
Ce ventilateur est conçu pour une utilisation intérieur.

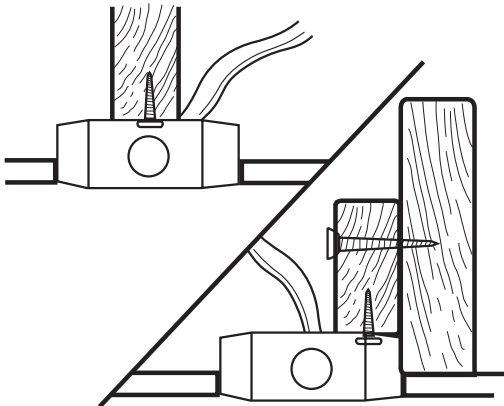
CONFIGURATION ET UTILISATION

PRÉPARER POUR L'INSTALLATION

1. Déballez et inspectez soigneusement le ventilateur pour vous assurer que tout le contenu est inclus. Coupez l'alimentation à la boîte à fusibles pour éviter tout risque d'électrocution.



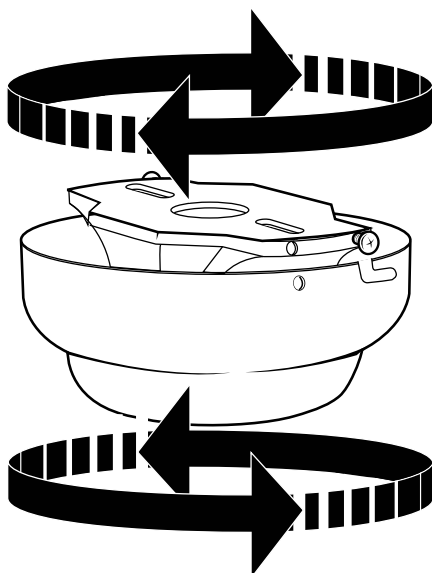
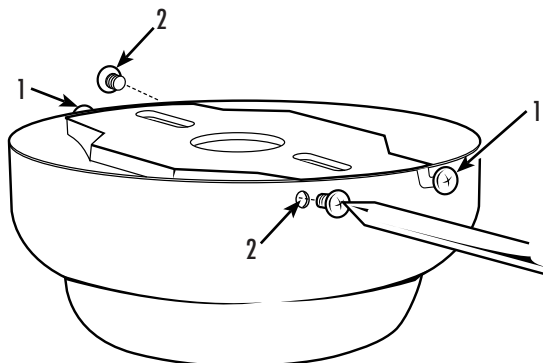
2. Utilisez une boîte de sortie en métal homologuée convenant au support du ventilateur (capacité nominale de 35 livres (15,9 kg)). Avant d'attacher le ventilateur à la boîte de sortie, assurez-vous que la boîte de sortie est solidement fixée par au moins deux points à un membre de plafond structurel (une boîte lousse fera branler le ventilateur).



CONFIGURATION ET UTILISATION

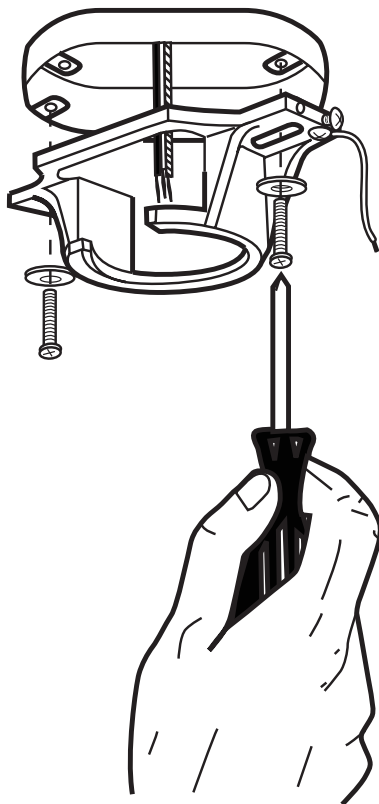
INSTALLATION DU SUPPORT DE MONTAGE

3. Retirez les vis des deux trous correspondants (2) sur la canopée. Desserrez (ne retirez pas) les vis dans les fentes d'accouplement (1) sur la canopée. Tournez le support de montage et retirez-le de la canopée.



CONFIGURATION ET UTILISATION

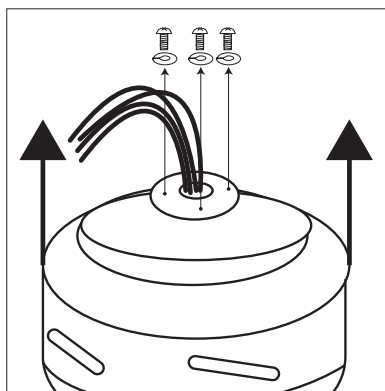
4. Installez le support de montage sur la boîte de sortie du plafond à l'aide des vis et des rondelles fournies avec la boîte de sortie.



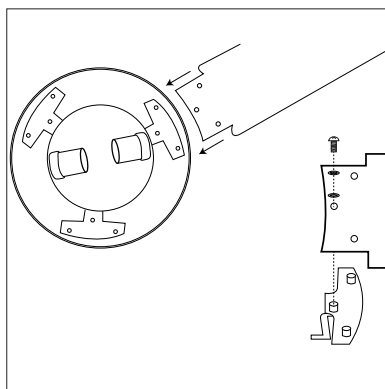
CONFIGURATION ET UTILISATION

INSTALLATION DE LA PALE

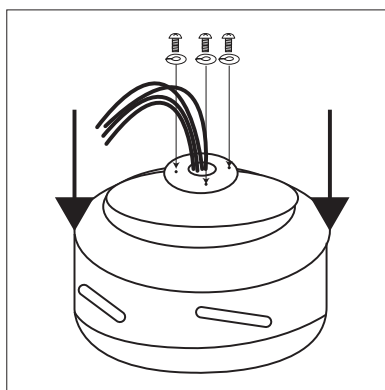
5. A. Retirez les vis et le couvercle sur l'assemblage du moteur du ventilateur.



B. Insérez la pale dans les fentes du boîtier. Fixez chaque pale avec les 3 vis et les 3 rondelles fournies.



C. Une fois toutes les pales installées, insérez le couvercle précédemment retiré et serrez les vis.

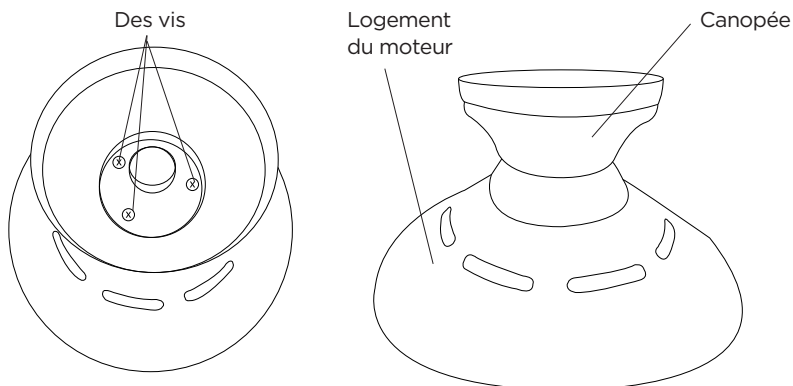


CONFIGURATION ET UTILISATION

6. Choisissez une **OPTION DE MONTAGE** (illustrée à la page 8):

OPTION D'INSTALLATION ENCASTRÉE

Si vous l'installez encastré, retirez les vis de la canopée et réinstallez 3 vis pour fixer la canopée au boîtier du moteur comme indiqué.

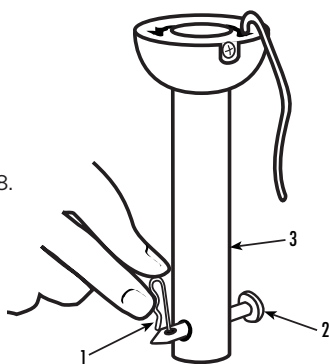


Complétez les options de câblage comme indiqué à la page 15. Il faudra deux personnes pour terminer cette installation. Quelqu'un devra tenir la canopée et le boîtier du moteur, pendant que les fils sont connectés.

Si vous installez un ventilateur de plafond avec un récepteur à distance, passez à la page 16, étape 12. Si vous n'avez pas besoin d'inclure un récepteur à distance, fixez le ventilateur au plafond comme indiqué à la page 17, étape 13.

OPTION DE TIGE DE SUSPENSION NORMALE

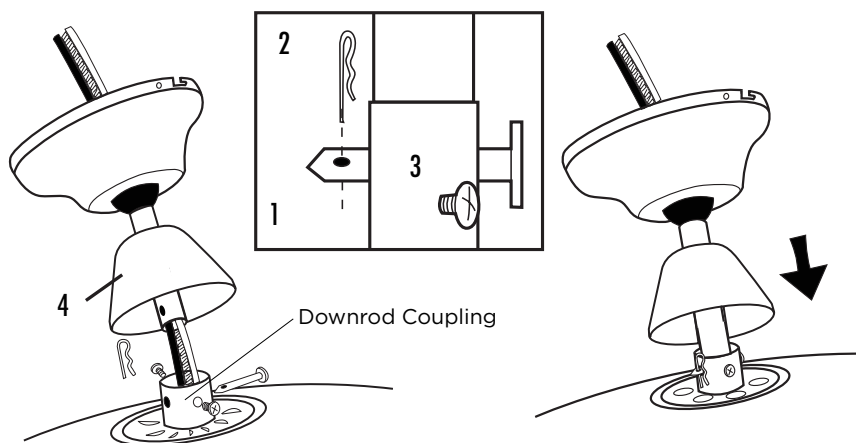
7. Retirez la goupille de serrage (1) et la goupille transversale (2) de la tige de suspension (3). Passez à l'INSTALLATION DE LA TIGE DE SUSPENSION page 42, étape 8.



CONFIGURATION ET UTILISATION

INSTALLATION DE LA TIGE DE SUSPENSION

8 Insérez les fils du moteur dans la tige de suspension sélectionnée et insérez la tige dans le couplage de la tige. Assurez-vous d'aligner le trou de la tige avec le trou dans le couplage de la tige. Installez la goupille (1) retirée à l'étape 6 à travers le couplage et la tige. Insérez la goupille de serrage (2) dans la goupille jusqu'à ce qu'elle s'enclenche. Serrer les vis de pression (3) dans le couplage. Glisser le couvercle de couplage (4) et la canopée sur la tige au-dessus du couvercle de couplage. **PASSEZ À LA PAGE 44, ÉTAPE 10.**

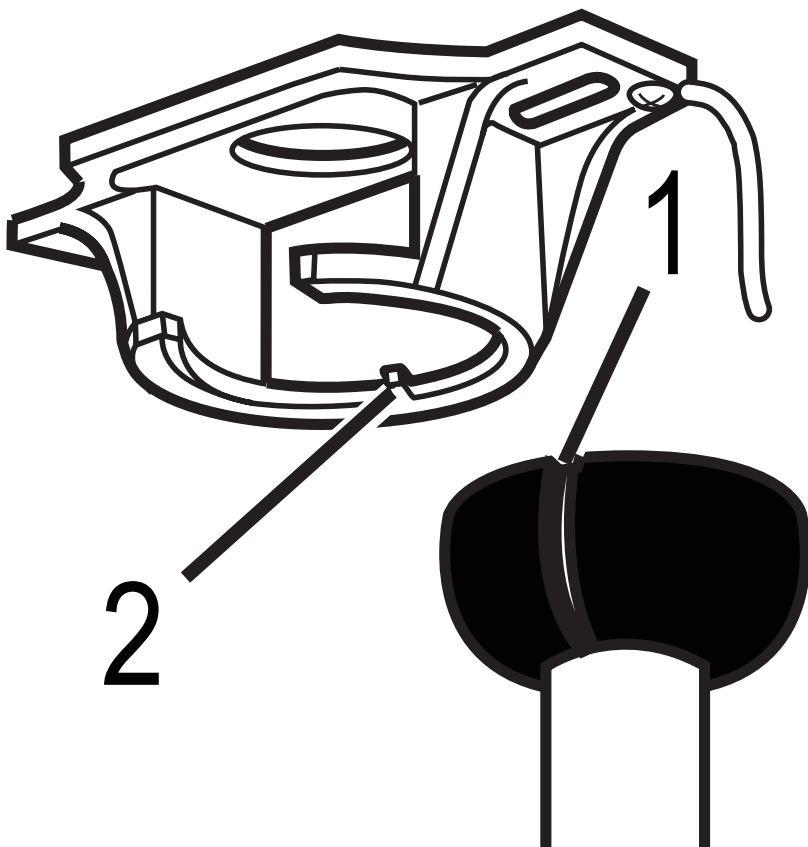


CONFIGURATION ET UTILISATION

MONTAGE

9. Soulevez soigneusement l'assemblage du ventilateur sur le support de montage. Tournez le ventilateur jusqu'à ce que l'encoche de la bille de guidage (1) s'engage dans l'arête du support de montage (2). Cela permettra un câblage à mains libres pour l'installation à tige du ventilateur.

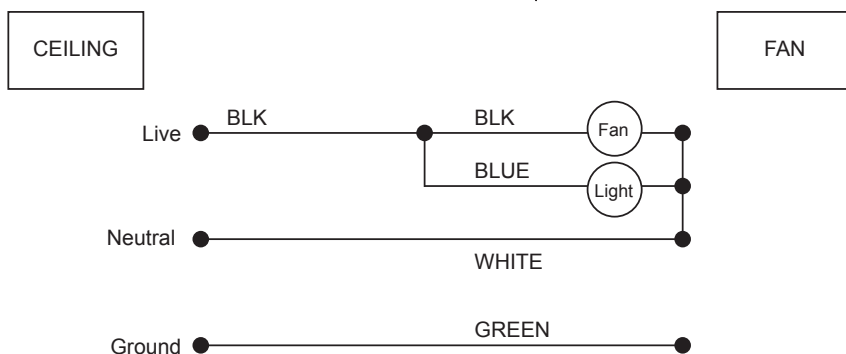
REMARQUE: Si vous installez le ventilateur encastré, vous aurez besoin d'aide pour tenir le ventilateur pendant le câblage.



CONFIGURATION ET UTILISATION

OPTIONS DE CÂBLAGE POUR BCF5252 AVEC CHAÎNE À TIRER

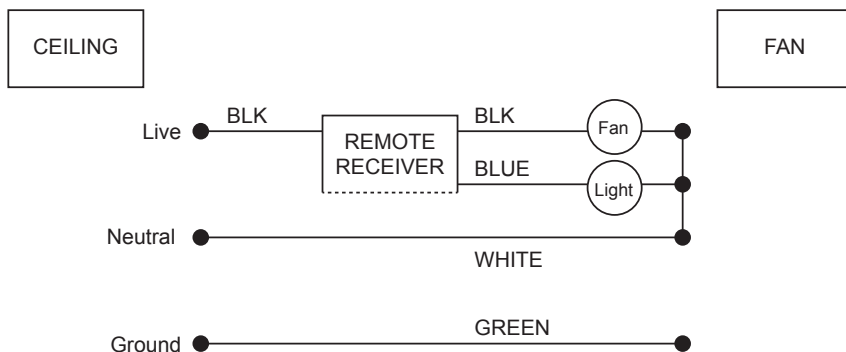
10. Afin de s'assurer qu'aucun fil dénudé n'est exposé après avoir effectué les connexions, il est recommandé d'enrouler du ruban électrique autour de chaque connecteur de fil pour empêcher le fil de se déconnecter.



Utilisez les connecteurs de fils fournis pour connecter les fils.

OPTIONS DE CÂBLAGE POUR BCF5252R AVEC TÉLÉCOMMANDE

11. Les commutateurs de fréquence de votre récepteur et émetteur ont été pré-réglés en usine. Veuillez vérifier que les commutateurs de l'émetteur et du récepteur sont réglés sur la même position, toute combinaison de réglages fera fonctionner le ventilateur tant que l'émetteur et le récepteur sont réglés sur la même position.



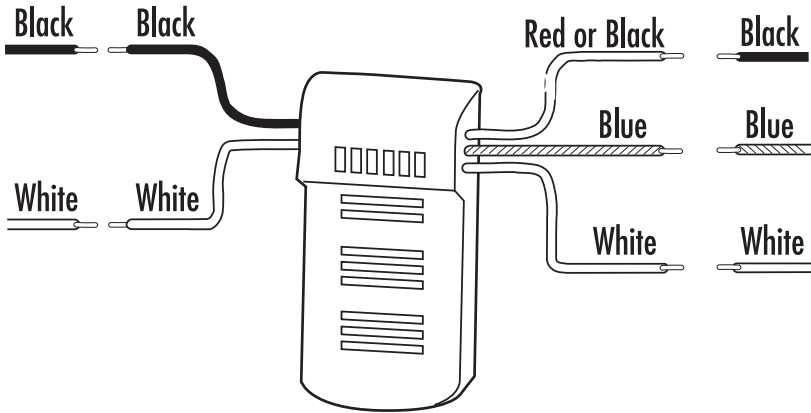
Utilisez les connecteurs de fils fournis pour connecter les fils.

CONFIGURATION ET UTILISATION

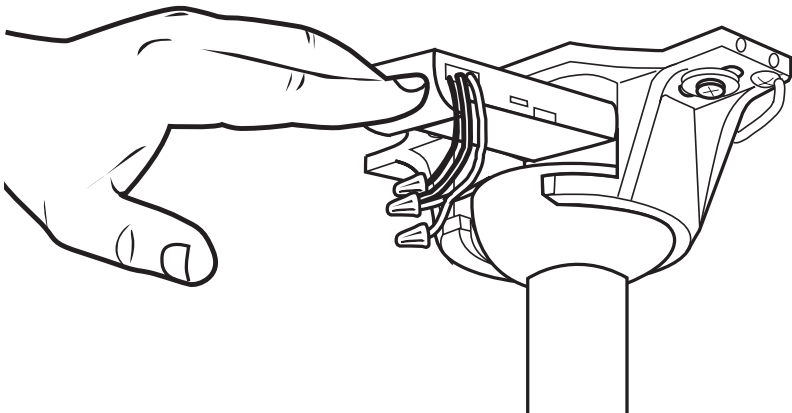
12. Effectuez les connexions de câblage du plafond et du moteur du ventilateur au récepteur à distance comme indiqué ci-dessus. Connectez en utilisant des connecteurs de fils (fournis).

Ceiling

Fan



13. Une fois le câblage terminé, insérez le récepteur à distance en haut du support de montage comme indiqué. Pour les ventilateurs à tige, ce sera au sommet de la balle.

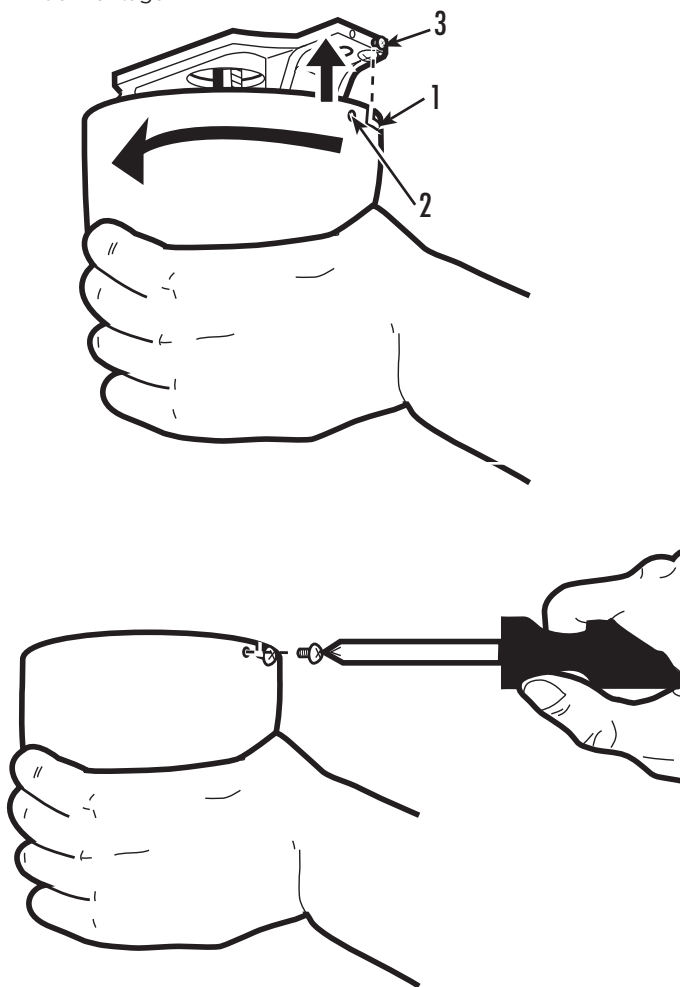


CONFIGURATION ET UTILISATION

SÉCURISER AU PLAFOND

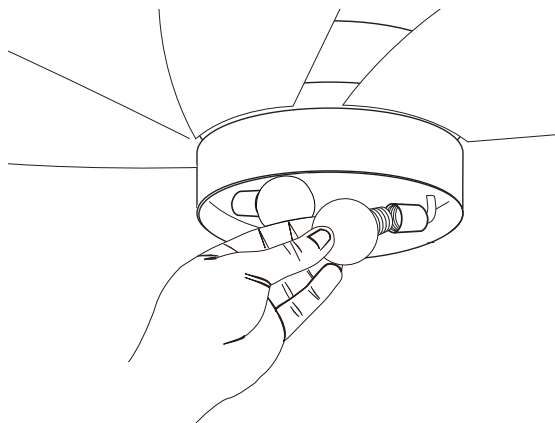
14. La canopée comporte deux fentes de couplage (1) et deux trous de couplage (2). Positionnez les deux fentes de la canopée directement sous et alignées avec les deux vis du support de montage (3). Soulevez la canopée en laissant les deux vis glisser dans les fentes de couplage. Tournez la canopée jusqu'à ce que les deux vis du support de montage tombent dans les encoches de la fente. Serrez fermement les vis. Installez deux vis dans les trous de couplage de la canopée et serrez pour fixer la canopée au support de montage.

REMARQUE: Pour les ventilateurs à tige, faites glisser la canopée jusqu'au support de montage.

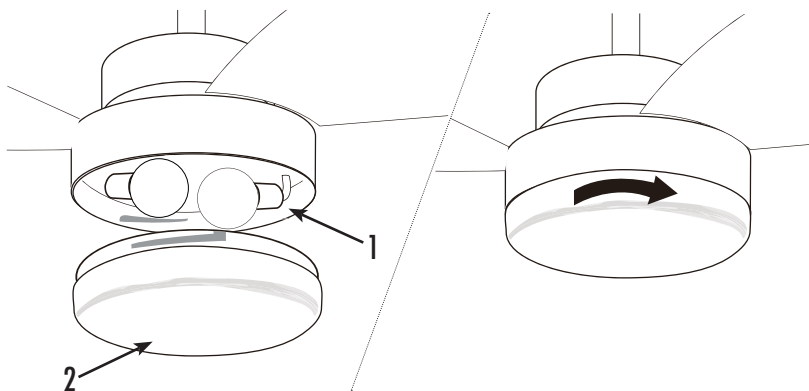


INSTALLATION DE LUMINAIRE

15. Installez 2 ampoules de type A-19, 60W max (non incluses).



16. Localisez les indentations sur le col du verre (2) et alignez-les avec les saillies du kit d'éclairage (1). Soulevez le verre en laissant les saillies s'engager dans les indentations sur le verre et tournez le verre dans le sens horaire pour le verrouiller en place.

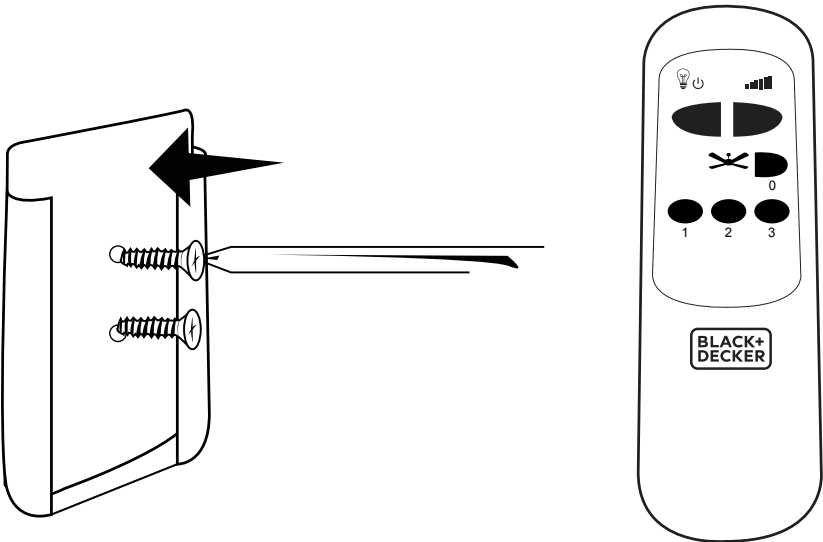


Si votre modèle a des chaînes à tirer, vous pouvez attacher les extensions de chaîne à tirer en utilisant les breloques.

CONFIGURATION ET UTILISATION

17. Le modèle BCF5252R est livré avec un support pour remiser votre télécommande.

Montez le support de télécommande sur le mur à l'aide des vis fournies. Si vous ne souhaitez pas visser le support de télécommande dans le mur, vous pouvez acheter de l'adhésif dans votre quincaillerie locale.






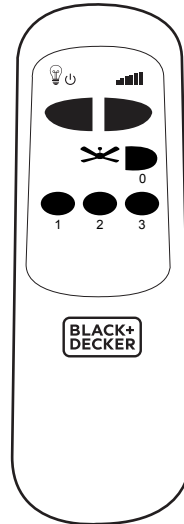
CONFIGURATION ET UTILISATION

FONCTIONNEMENT DE LA TÉLÉCOMMANDE

POUR LE MODÈLE BCF5252R

Bouton d'opération sur la télécommande:

- 1 Ventilateur haute vitesse
- 2 Ventilateur moyenne vitesse
- 3 Ventilateur basse vitesse
- 0 Ventilateur arrêt
-   Lumière marche/arrêt
-  Gradateur



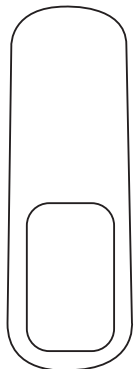
REMARQUE: Maintenez enfoncé pour augmenter ou diminuer la lumière. La lumière a une fonction de mémoire afin que la lumière reste à la même luminosité que la dernière fois qu'elle a été éteinte.

1. 1. Installation des Piles (piles non incluses)

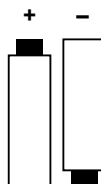
- (1) Faites glisser le couvercle du compartiment des piles pour l'ouvrir.
- (2) Insérez 2 piles "AA" comme indiqué ci-dessous.
- (3) Remplacez le couvercle de la pile.

REMARQUE: Utilisez des piles alcalines de type "AA". Ne pas utiliser de piles rechargeables.

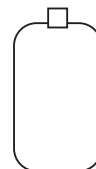
Télécommande



Batterie



Couvercle de la batterie



CONFIGURATION ET UTILISATION

OPÉRATION

Le commutateur à glissière commande la direction, vers l'avant ou vers l'arrière.

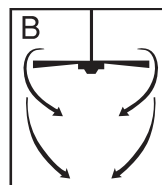
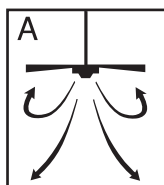
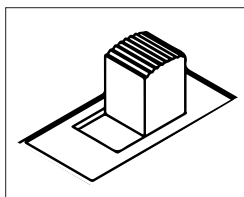
Temps chaud - l'interrupteur est en position de gauche.

Le ventilateur tourne dans le sens antihoraire. Un flux d'air vers le bas crée un effet de refroidissement comme indiqué sur l'illustration A.

Temps frais - l'interrupteur est en position de droite (voir image).

Le ventilateur tourne dans le sens horaire. Un flux d'air vers le haut déplace l'air chaud de la zone du plafond, comme indiqué sur l'illustration B (Cette fonction est généralement utilisée en hiver).

REMARQUE: Éteignez et attendez que le ventilateur s'arrête avant de changer le réglage de l'interrupteur coulissant avant/arrière.



OPÉRATION DE LA CHAÎNE À TIRER

Si votre modèle est équipé de chaînes à tirer, une chaîne à tirer commande la lumière (marche/arrêt). L'autre chaîne à tirer est pour la vitesse du ventilateur.

1. Le premier tir mettra le ventilateur à haute vitesse.
2. Le deuxième tir mettra le ventilateur à vitesse moyenne.
3. Le troisième tir mettra le ventilateur à basse vitesse.
4. Le quatrième tir arrêtera le ventilateur.

NETTOYAGE + ENTRETIEN

1. À cause du mouvement naturel du ventilateur, certaines connexions peuvent se desserrer. Vérifiez les connexions de support, les supports et les attaches de pale deux fois par an. Assurez-vous qu'ils sont sécurisés.
2. Nettoyez votre ventilateur périodiquement pour aider à conserver son aspect neuf au fil des ans. N'utilisez pas d'eau pour nettoyer. Cela pourrait endommager le moteur ou le bois ou provoquer un choc électrique.
3. Utilisez uniquement une brosse douce ou un chiffon non pelucheux pour éviter de rayer la finition. Le placage est scellé avec un revêtement de laque pour minimiser la décoloration ou le ternissement.
4. Il n'y a pas besoin d'huiler votre ventilateur. Le moteur a des roulements lubrifiés à vie.
5. Pour changer (2) piles alcalines "AA", voir page 21.
6. Pour changer les ampoules, voir page 19.

DÉPANNAGE ET GARANTIE

AVANT D'APPELER POUR LE SERVICE

SI L'APPAREIL NE FONCTIONNE PAS:

Assurez-vous que l'appareil est branché solidement. Si ce n'est pas le cas, retirez la fiche de la prise, attendez 10 secondes et branchez-le à nouveau sécuritairement.

SI AUCUNE DE CES RÉPONSES RÉSOUT LE PROBLÈME, CONTACTEZ UN TECHNICIEN QUALIFIÉ. N'ESSEYER PAS D'AJUSTER OU DE RÉPARER LE CLIMATISEUR VOUS-MÊME.

IMPORTANT

NE PAS RETOURNER CE PRODUIT AU MAGASIN

Si vous avez un problème avec ce produit, veuillez communiquer avec le W Appliance Co. Centre de Satisfaction Client à 844-299-0879.

PREUVE D'ACHAT DATÉE, # DE MODÈLE ET # DE SÉRIE
REQUIS POUR LE SERVICE SOUS GARANTIE

DÉPANNAGE ET GARANTIE

Localisez votre problème en utilisant le tableau ci-dessous. Si le climatiseur ne fonctionne toujours pas correctement, contactez le service clientèle de W Appliance Co. ou le centre de service agréé le plus proche. Les clients ne doivent jamais dépanner les composants internes.

PROBLÈME	SOLUTION POSSIBLE
Si le ventilateur ne démarre pas	<ol style="list-style-type: none">1. Vérifier les fusibles du circuit principal et de dérivation ou les disjoncteurs.2. Vérifiez les connexions des câbles comme indiqué dans les pages d'installation applicables 11-16. ATTENTION: Assurez-vous que l'alimentation principale est coupée.3. Assurez-vous que l'interrupteur avant/arrière est fermement dans la position de droite ou de gauche. Le ventilateur ne fonctionne pas lorsque l'interrupteur est au milieu.4. Si le ventilateur ne démarre toujours pas, contactez un électricien qualifié. N'essayez pas de dépanner vous-même les connexions électriques internes.5. Si la télécommande est utilisée, vérifiez les piles.
Si le ventilateur semble bruyant	<ol style="list-style-type: none">1. Assurez-vous que toutes les vis du boîtier du moteur sont bien serrées (pas trop serrées).2. Assurez-vous que les vis qui fixent le support de la pale du ventilateur au moteur sont bien serrées.3. Permettez une période de "rodage" de 24 heures. La plupart des bruits associés à un nouveau ventilateur disparaîtront après cette période.
Si le ventilateur branle	<ol style="list-style-type: none">1. Vérifiez que toutes les pales sont bien vissées dans les porte-pales.2. Vérifiez que tous les porte-pales sont fermement fixés au moteur.3. Assurez-vous que la canopée et le support de montage sont bien fixés aux solives de plafond.4. Si le branlement de la pale est encore perceptible, l'échange de deux pales adjacentes (côte à côte) peut redistribuer le poids et éventuellement entraîner un fonctionnement plus doux.
Si la lumière ne fonctionne pas	<ol style="list-style-type: none">1. Vérifiez les ampoules défectueuses.2. Vérifiez que les connexions des fils dans le boîtier de l'interrupteur sont connectées.3. Si le kit d'éclairage ne fonctionne toujours pas, contactez un électricien qualifié pour obtenir de l'aide.

DÉPANNAGE ET GARANTIE

GARANTIE LIMITÉE

Toute réparation, remplacement ou réparation sous garantie, et toutes les questions sur ce produit doivent être adressées à W Appliance Co. au **844-299-0879** depuis les États-Unis ou de Porto Rico.

W Appliance Co. garantit à l'acheteur original que le produit sera exempt de défauts de matériel, de pièces et de fabrication pour la période désignée pour ce produit. La garantie commence le jour de l'achat du produit et couvre jusqu'à une période de 1 an (12 mois) pour la main-d'œuvre/1 an (12 mois) pour les pièces (défauts de fabrication uniquement)/et un total de 5 ans (60 mois) pour les pièces de compresseur uniquement. W Appliance Co. accepte de remplacer, à sa discrétion, le produit défectueux par une unité neuve ou reconstruite équivalente à votre achat initial pendant la période de garantie.

Exclusions: Cette garantie ne s'applique pas aux items ci-dessous :

1. Si l'apparence ou l'extérieur du produit a été endommagé ou déformé, altéré ou modifié dans la conception ou la construction.
2. Si le numéro de série original a été modifié ou supprimé ou ne peut être déterminé facilement.
3. S'il y a des dommages causés par une surtension de la ligne d'alimentation, des dommages de l'utilisateur au cordon d'alimentation CA ou une connexion à une source de tension incorrecte.
4. Si le dommage résulte de la mauvaise utilisation générale, des accidents ou des cas de force majeure.
5. Si les réparations sont effectuées par des agents de service non autorisés, l'utilisation des pièces autres que des pièces originales ou pièces obtenues auprès de personnes autres que les entreprises de services autorisées.
6. Sur les unités qui ont été transférées du propriétaire original.
7. Sur les produits qui ont été achetés comme remis à neuf, comme neuf, d'occasion, dans des termes "Tel Quel" ou "Vente Finale".
8. Aux produits utilisés dans un contexte commercial ou de location.
9. Aux produits utilisés dans des environnements autres que d'un usage domestique ou utilisé autrement que conformément aux instructions fournies.
10. Pour les dommages pour les appels de service pour les installations incorrects.
11. Aux pièces en verre et autres accessoires inclus avec l'appareil.
12. Les frais de transport et d'expédition associés au remplacement de l'unité, the unit.
13. Perte de nourriture pour la perte en raison de la défaillance du produit ou le retard dans le service, de réparation ou

de remplacement.

14. Appels de service pour vous apprendre à utiliser votre produit.
15. Les appels de service pour réparer ou remplacer le fusible domestique, réinitialiser le disjoncteur ou corriger le câblage la maison.

RÉPARATION OU REMPLACEMENT SELON LES TERMES DE CETTE GARANTIE EST LE RECOURS EXCLUSIF DU CLIENT; W Appliance Co. DÉCLINE TOUTE RESPONSABILITÉ POUR TOUT DOMMAGE INDIRECT OU ACCESSOIRE POUR VIOLATION DE TOUTE GARANTIE EXPRESSE OU IMPLICITE SUR CE PRODUIT, SAUF DANS LA MESURE INTERDITE PAR LA LOI APPLICABLE. TOUTE GARANTIE IMPLICITE DE QUALITÉ MARCHANDE OU D'APTITUDE À UN USAGE PARTICULIER SUR CE PRODUIT EST LIMITÉE À LA DURÉE DE LA GARANTIE.

Certains États n'autorisent pas l'exclusion ou limitation de dommages accessoires ou indirects, ou la limitation sur la durée de la garantie. Dans ces cas les exclusions ou limitations ci-dessus peuvent ne pas s'appliquer à vous. Cette garantie vous donne des droits légaux précis, et vous pourriez aussi avoir d'autres droits légaux qui varient d'un état à l'autre.

Obtention de Service: Pour obtenir un service, documentation sur les produits, des fournitures ou des accessoires, veuillez appeler 844-299-0879 pour créer un ticket d'échange/réparation. Veuillez vous assurer de fournir la date d'achat, numéro de modèle et une brève description du problème. Notre représentant du service à la clientèle vous contactera ou vous enverra des instructions détaillées de retour.

W Appliance Co. ne garantit pas que l'appareil fonctionnera correctement dans toutes les conditions environnementales et ne donne aucune garantie et représentation, implicite ou explicite, en ce qui concerne la qualité, les performances, la qualité marchande ou l'adéquation à un usage particulier autre que le but identifié dans ce manuel de l'utilisateur. W Appliance Co. a fait tous les efforts pour s'assurer que ce manuel de l'utilisateur est exact et décline toute responsabilité pour toute inexactitude ou omission qui pourrait avoir eu lieu. Les informations contenues dans ce manuel de l'utilisateur sont sujettes à modification sans préavis et ne représente pas un engagement de la part de W Appliance Co. W Appliance Co. se réserve le droit d'apporter des améliorations à ce manuel de l'utilisateur et/ou aux produits décrits dans ce manuel de l'utilisateur à tout moment sans préavis. Si vous trouvez des informations dans ce manuel qui sont erronées, trompeuses ou incomplètes, veuillez nous contacter à 1-855-855-0294.

W Appliance Co.
1356 Broadway
New York, NY 10018

Cet appareil respecte la section 15 des directives FCC. Son utilisation est soumise aux deux conditions suivantes: 1) cet appareil ne doit pas causer aucune interférence nuisible; et 2) cet appareil doit accepter toute interférence reçue, y compris les interférences susceptibles de provoquer un fonctionnement indésirable. Ce matériel a été testé et déclaré conforme aux limites imposées aux appareils numériques de classe B, conformément à l'article 15 des règlements de la FCC. Ces limites ont pour but d'assurer une protection raisonnable contre le brouillage nuisible dans une installation résidentielle. Cet équipement génère, utilise et peut émettre de l'énergie radiofréquence et, s'il n'est pas installé et utilisé selon les instructions, il peut causer du brouillage nuisible aux communications radio. Cependant, il n'y a aucune garantie qu'aucun brouillage ne se produira dans une installation en particulier. Si cet équipement cause des interférences nuisibles à la réception radio ou télévision, ce qui peut être déterminé en éteignant et en rallumant l'appareil, l'utilisateur est encouragé à essayer de corriger l'interférence par une ou plusieurs des mesures suivantes:

- a) Réorienter ou déplacer l'antenne de réception.
- b) Augmentez la distance entre l'équipement et le récepteur.
- c) Branchez l'équipement dans une prise différente de celle que le récepteur est connecté.
- d)

BLACK+ DECKER™

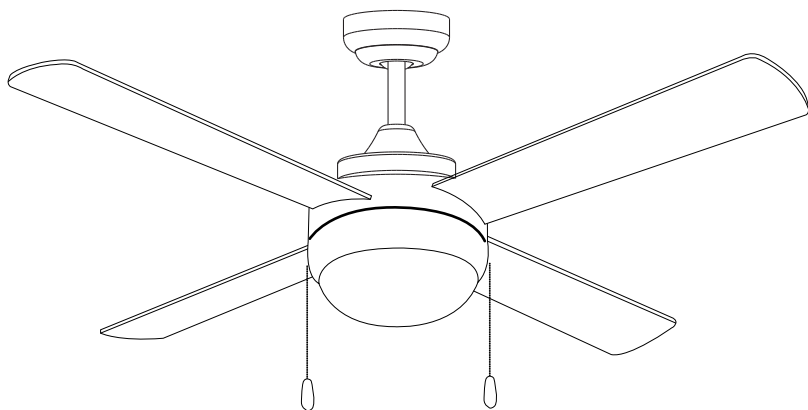
**VENTILADOR DE TECHO DE 52 PULGADAS
(132 CM)**

MANUAL DE INSTRUCCIONES

NÚMERO DE CATÁLOGO

BCF5252

BCF5252R



¡Gracias por elegir Black+Decker!

**POR FAVOR, LEER ANTES DE DEVOLVER ESTE PRODUCTO
POR CUALQUIER MOTIVO.**

Si tiene alguna pregunta o experimenta un problema con su compra de Black+Decker, vaya a www.blackanddecker.com/instantanswers

Si no puede encontrar la respuesta o no tiene acceso a Internet, llame al 844-299-0879 de 10:30 a.m. a 6:30 p.m. (EST) de Lunes a Viernes para hablar con un representante. Por favor, tenga el número de catálogo disponible cuando llame.

GUARDE ESTE MANUAL PARA CONSULTAS FUTURAS.

CONTENIDO

INFORMACIÓN DE SEGURIDAD

Instrucciones de Seguridad Importantes.....	59-60
Manipulación de baterías alcalinas.....	61

CONFIGURACIÓN Y USO

Partes.....	62-63
Características.....	64
Preparación para la instalación.....	65
Instalación del soporte de montaje.....	66-67
Instalación de las aspas.....	70
Montaje del ventilador al techo.....	69-71
Opciones de cableado.....	72-73
Asegurar el ventilador al techo.....	74
Instalación de luminarias.....	75
Operación del control remoto.....	76-77
Funcionamiento.....	78
Limpieza + Mantenimiento.....	79

SOLUCIÓN DE PROBLEMAS Y GARANTÍA

Antes de llamar al Servicio Técnico.....	80
Servicio al cliente.....	80
Solución de problemas.....	81
Garantía limitada.....	82

REGISTRO DE PRODUCTO

Gracias por comprar nuestro producto BLACK + DECKER. Este manual fácil de usar lo guiará para obtener el mejor resultado de uso de su ventilador.

Recuerde registrar el modelo y los números de serie. Están en una etiqueta en la parte trasera.

Número de modelo

Número de serie

Fecha de compra

Grape o adjunte su recibo a su manual.
Lo necesitará para obtener el servicio de garantía.

INFORMACIÓN DE SEGURIDAD



PELIGRO

Peligros inmediatos que resultarán en lesiones personales graves o la muerte



ADVERTENCIA

Peligros o prácticas inseguras que pueden resultar en lesiones personales graves o la muerte



PRECAUCIÓN

Peligros o prácticas inseguras que pueden resultar en lesiones personales menores

IMPORTANTES INSTRUCCIONES DE SEGURIDAD



ADVERTENCIA

PARA REDUCIR EL RIESGO DE INCENDIOS, DESCARGAS ELÉCTRICAS O LESIONES PERSONALES, MONTAR A UNA CAJA DE SALIDA MARCADA “ACEPTABLE PARA SOPORTE DE VENTILADOR DE 35 LBS (15,9 KG) O MENOS” Y USAR LOS TORNILLOS DE MONTAJE SUMINISTRADOS CON LA CAJA DE SALIDA Y/O SOPORTE DIRECTAMENTE A LA ESTRUCTURA DE LA CONSTRUCCIÓN. LA MAYORÍA DE LAS CAJAS DE SALIDA UTILIZADAS COMÚNMENTE PARA EL SOPORTE DE LUMINARIAS NO SON ACEPTABLES PARA EL SOPORTE DE VENTILADORES Y PUEDEN TENER QUE REEMPLAZARSE. CONSULTE A UN ELECTRICISTA CALIFICADO EN CASO DE DUDAS.

1. LEA TODAS LAS INSTRUCCIONES ANTES DEL USO
2. El trabajo de instalación y el cableado eléctrico debe realizarlo una persona calificada de acuerdo con todos los códigos y normas aplicables, incluida la construcción con clasificación de resistencia al fuego.
3. Use esta unidad sólo de la manera prevista por el fabricante. Si tiene alguna pregunta, póngase en contacto con el fabricante.
4. Después de hacer las conexiones de los cables, empuje suavemente las mismas en la caja de salida con las tuercas para cables apuntando hacia arriba. Los cables deben separarse con el conductor a tierra y el conductor de tierra del equipo en un lado de la caja de salida y el conductor no puesto a tierra en el otro lado de la caja de salida.
5. Antes de comenzar a instalar el ventilador, apague la corriente general en el panel de Servicio y bloquee los medios de desconexión de la corriente para evitar que se encienda accidentalmente. Cuando los medios de desconexión de la corriente no se puedan bloquear, fije de forma segura un dispositivo de advertencia prominente, como una etiqueta, al panel de servicio.
6. ¡Sea prudente! Lea todas las instrucciones e información de seguridad antes de instalar su nuevo ventilador. Revise los diagramas de ensamblaje que se adjuntan.

SAFETY INFORMATION

7. Al cortar o taladrar en la pared o el techo, no dañe el cableado eléctrico u otros servicios ocultos.
8. Asegúrese de que el sitio de instalación que elija permita que las aspas del ventilador giren sin obstrucciones. Deje un espacio libre mínimo de 7 pies (2,1 metros) desde el piso hasta el borde posterior de las aspas.
9. Para reducir el riesgo de incendio, descarga eléctrica o lesiones personales, este ventilador debe montarse en una caja de salida marcada como adecuada para el soporte del ventilador. Y use los tornillos de montaje provistos con la caja de salida. (El montaje debe soportar al menos 35 lbs (15,9 Kg))

10. ADVERTENCIA: PARA REDUCIR EL RIESGO DE LESIONES PERSONALES

No doble los soportes de las aspas durante la instalación en el motor, el balanceo o durante la limpieza. No inserte objetos extraños entre las aspas mientras giran.

11. Fije el soporte de montaje utilizando solo el equipamiento suministrado con la caja de salida. El ventilador sólo debe montarse en una caja de salida marcada como "Aceptable para soporte de ventilador".
12. No instale dentro de una zona de 3 pies (92 cm) horizontalmente y 8 pies (235 cm) verticalmente desde la parte superior del borde de una bañera o el umbral de una ducha.
13. Antes de reparar o limpiar la unidad, apague la corriente en el panel de Servicio y bloquee los medios de desconexión de la corriente para evitar que se encienda accidentalmente. Cuando los medios de desconexión de la corriente no se puedan bloquear, fije de forma segura un dispositivo de advertencia prominente, como una etiqueta, al panel de servicio.
14. Todos los tornillos de fijación deben revisarse y ajustarse cuando sea necesario antes de la instalación.
15. El trabajo de instalación y el cableado eléctrico debe realizarlo una persona calificada de acuerdo con todos los códigos y normas aplicables, incluida la construcción con clasificación de resistencia al fuego.

GUARDE ESTAS INSTRUCCIONES USO DOMÉSTICO SOLAMENTE

SAFETY INFORMATION

MANEJO DE BATERÍAS ALCALINAS

ADVERTENCIA

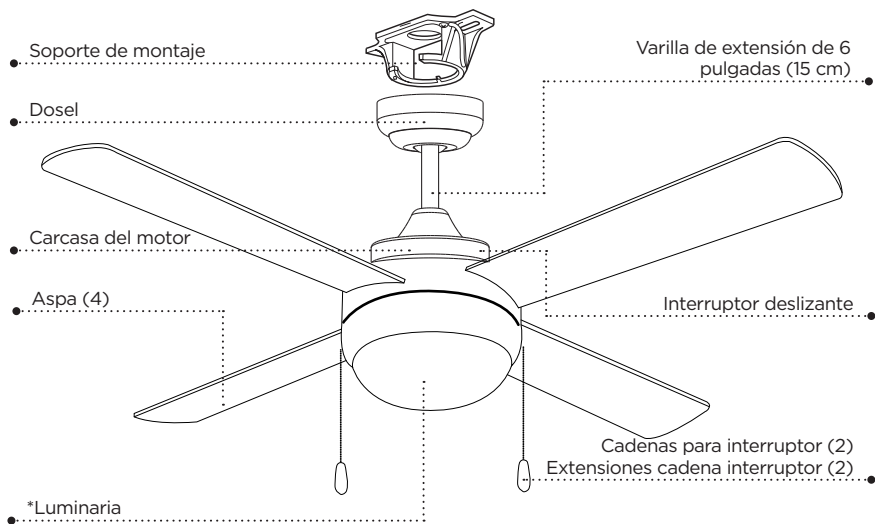
Al manejar baterías alcalinas, deben seguirse las medidas básicas de precaución, detalladas a continuación.

1. Si el líquido de la batería entra accidentalmente en contacto con sus ojos, existe el riesgo de perder la visión, no los frote. Enjuague sus ojos inmediatamente con agua limpia del grifo y luego consulte a un médico de inmediato.
2. No arroje al fuego, exponga al calor, o desmonte o modifique la batería. Si el aislamiento o la válvula de seguridad está dañada, la batería puede tener fugas de líquido, sobrecalentarse o explotar.
3. No inserte la batería con los polos invertidos. Hacerlo puede causar alguna anomalía o un cortocircuito y la batería puede tener fugas de líquido, sobrecalentarse o explotar.
4. Mantenga la batería fuera del alcance de los niños. Si la batería es ingerida, contacte a un médico de inmediato.
5. Si el líquido alcalino entra en su boca, enjuague su boca con agua y contacte a un médico inmediatamente.
6. Si el líquido alcalino entra en contacto con la piel o la ropa, puede quemar la piel, enjuague bien el área afectada con agua del grifo.
7. No mezcle baterías nuevas y viejas u otras marcas de baterías. Los diferentes atributos pueden hacer que la batería pierda líquido, se sobrecaliente o explote.
8. Esta batería no fue hecha para recargarse. Recargar esta batería puede dañar el aislamiento o la estructura interna y puede causar que la batería pierda líquido, se sobrecaliente o explote.
9. No dañe o quite la etiqueta en el exterior de la batería. Hacerlo puede provocar que la batería entre en cortocircuito, pierda líquido, se sobrecaliente o explote.
10. No deje caer, arroje ni exponga la batería a un impacto extremo. De lo contrario, la batería puede perder líquido, recalentarse o explotar.
11. No altere la forma de la batería. Si el aislamiento o la válvula de seguridad está dañada, la batería puede tener fugas de líquido, sobrecalentarse o explotar.
12. Quite inmediatamente las baterías cuando hayan perdido toda la carga. Dejar las baterías en la unidad por un tiempo prolongado puede hacer que las baterías pierdan líquido, se sobrecalienten o exploten debido al gas generado por las baterías.

Póngase en contacto con su gobierno local para conocer las prácticas de eliminación de baterías en su área.

CONFIGURACIÓN Y USO

PIEZAS



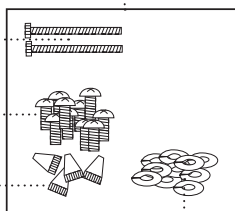
• Paquete de equipamiento y accesorios

• Tornillos

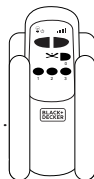
• Tornillos para las
aspas del ventilador

• Conectores
para cables

• Arandelas para las aspas del ventilador



• *Control remoto y soporte



• *Receptor del control remoto



*Baterías no incluidas el control remoto. Utilice (2) baterías alcalinas de tamaño "AA".

*Bombillas no incluidas con la luminaria (2) tipo A-19, se requieren bombillas de 60W.

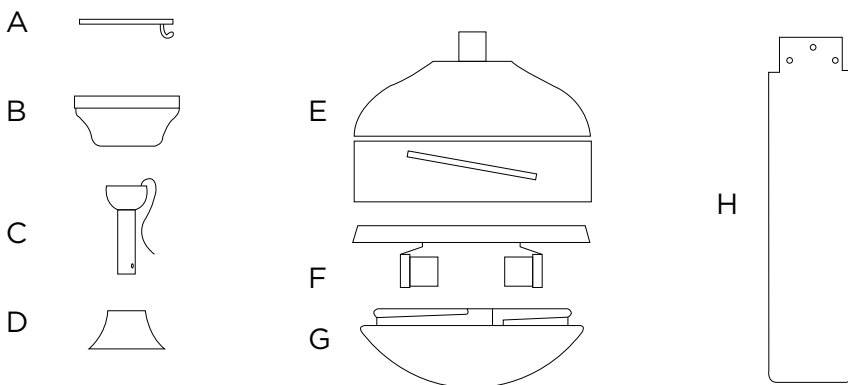
*No todos los modelos contienen un control remoto, receptor de control remoto y/o soporte de control remoto. Solo modelo BCF5252R.

*No todos los modelos tienen cadenas para interruptor y/o extensiones. Solo el modelo BCF5252

CONFIGURACIÓN Y USO

PIEZAS INCLUIDAS

- A. Soporte de montaje
- B. Dospel
- C. Conjunto de varilla de extensión de 6 pulgadas (15 cm)
- D. Cubierta de yugo
- E. Conjunto del motor del ventilador
- F. Carcasa del motor
- G. Cubierta de vidrio (luminaria)
- H. Aspas del ventilador (4)



BCF5252R

- Control remoto
- Receptor del control remoto
- Soporte del control remoto
- 2 Tornillos para el soporte del control remoto

BCF5252

- Cadena para interruptor (2)
- Extensiones de cadena para interruptor (2)

HERRAMIENTAS RECOMENDADAS

- Escalera
- Destornilladores
- Alicates
- Pelacables
- Cinta eléctrica
- (Opcional) Taladro eléctrico y broca

CONFIGURACIÓN Y USO

CARACTERÍSTICAS

Instalación
al ras



Para techos normales

Instalación con varilla
de extensión



Para techos normales

Instalación en techo
abovedado



Puede requerir una
varilla de extensión
más larga (se vende
por separado)

PRECAUCIÓN

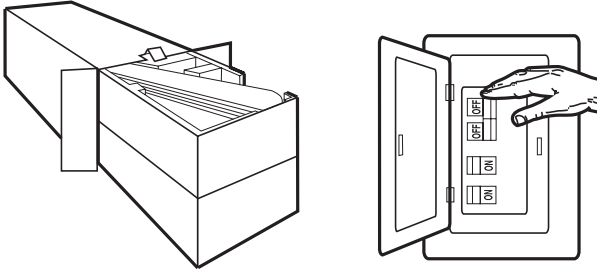
Para reducir el riesgo de lesiones personales, el ventilador debe instalarse de modo que las aspas estén a una altura superior a 7 pies (2,1 metros) sobre el piso.

Este ventilador está diseñado para uso en interiores.

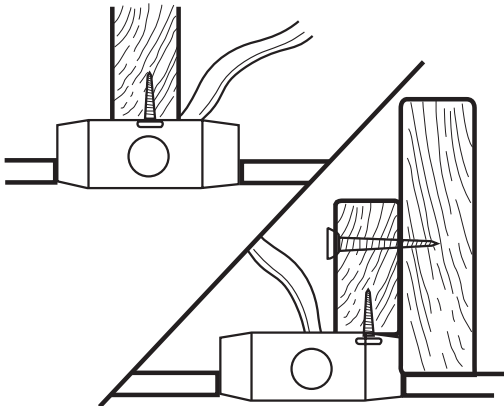
CONFIGURACIÓN Y USO

PREPARACIÓN PARA LA INSTALACIÓN

1. Desempaque e inspeccione el ventilador con cuidado para asegurarse de que todo el contenido esté incluido. Desconecte la corriente en la caja de fusibles para evitar posibles descargas eléctricas.



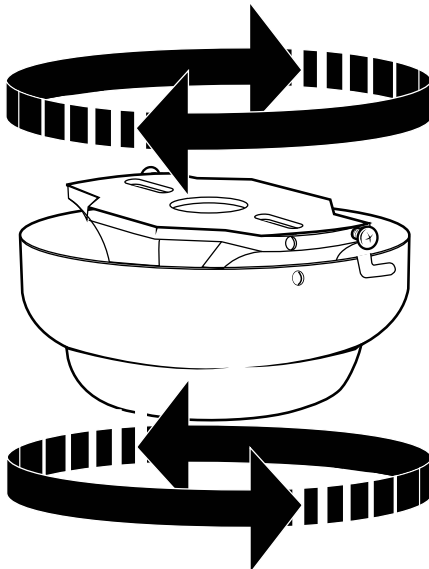
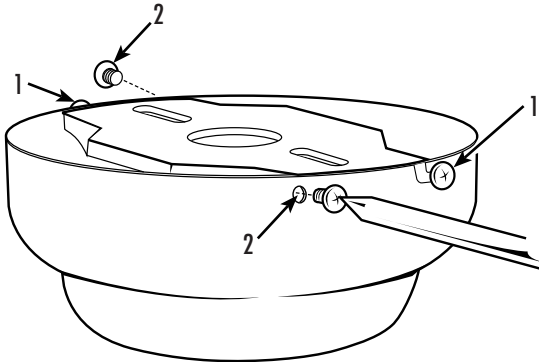
2. Use una caja de salida de metal adecuada para el soporte del ventilador (clasificada para 35 lb (15,9 kg)). Antes de conectar el ventilador a la caja de salida, asegúrese de que la misma esté fijada de manera segura por al menos dos puntos a un soporte estructural del techo (una caja suelta hará que el ventilador oscile).



CONFIGURACIÓN Y USO

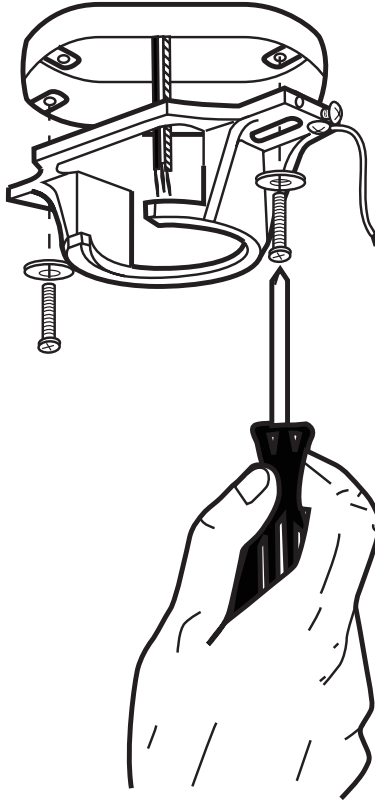
INSTALACIÓN DEL SOPORTE DE MONTAJE

3. Retire los tornillos de los dos orificios de acoplamiento (2) en el dosel. Afloje (no quite) los tornillos en las ranuras de acoplamiento (1) en el dosel. Gire el soporte de montaje y retírelo del dosel.



CONFIGURACIÓN Y USO

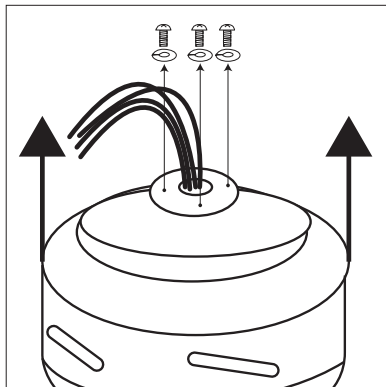
4. Instale el soporte de montaje en la caja de salida en el techo utilizando los tornillos y arandelas provistos con la caja de salida.



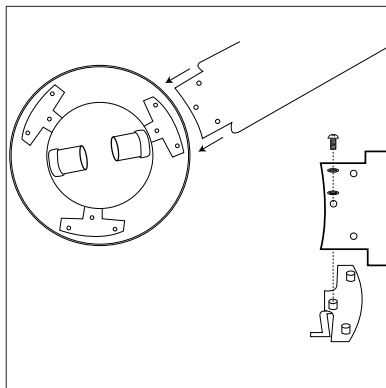
CONFIGURACIÓN Y USO

INSTALACIÓN DE LAS ASPAS

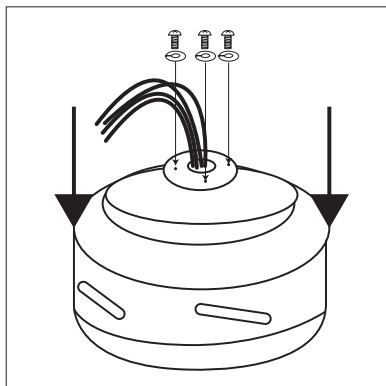
5. A. Retire los tornillos y la cubierta (A) en el conjunto del motor del ventilador.



B. Inserte las aspas en las ranuras dentro de la carcasa. Asegure cada aspa con los 3 tornillos y 3 arandelas provistos.



C. Una vez que todas las aspas estén instaladas, inserte la cubierta que retiró previamente (A) y apriete los tornillos.

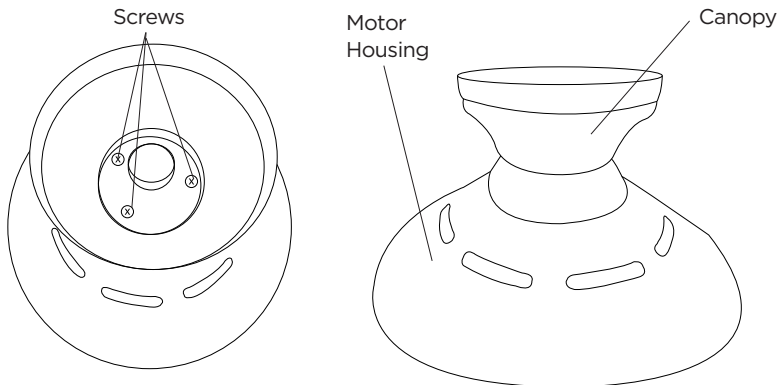


CONFIGURACIÓN Y USO

6. Elija una OPCIÓN DE MONTAJE (Mostrado en la página 8):

OPCIÓN DE INSTALACIÓN AL RAS

Para instalar al ras, retire los tornillos del dosel y vuelva a colocar los 3 tornillos para fijar el dosel a la carcasa del motor como se muestra.

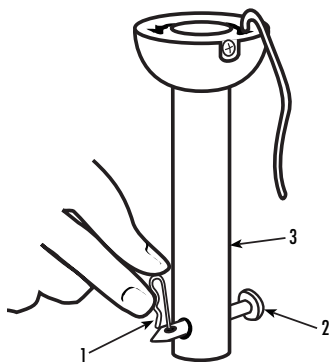


Complete las opciones de cableado como se muestra en la página 15. Se requerirán dos personas para completar esta instalación. Alguien tendrá que sostener el dosel y la carcasa del motor mientras se conectan los cables.

Si está instalando un ventilador de techo con un receptor de control remoto, vaya a la página 16, paso 12. Si no necesita incluir un receptor de control remoto, proceda a asegurar el ventilador al techo como se muestra en la página 17, paso 13.

OPCIÓN CON VARILLA DE EXTENSIÓN NORMAL

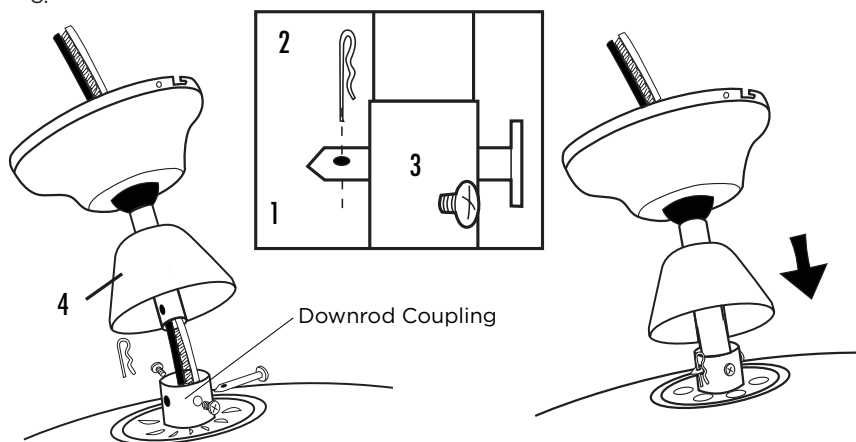
7. Retire el pasador de sujeción (1) y el pasador transversal (2) de la varilla de extensión (3). Diríjase a **INSTALACIÓN DE LA VARILLA DE EXTENSIÓN** en la página 13, paso 7.



CONFIGURACIÓN Y USO

INSTALACIÓN DE LA VARILLA DE EXTENSIÓN

8. Inserte los cables del motor a través de la varilla de extensión seleccionada e inserte la varilla dentro del acoplamiento de la varilla de extensión. Asegúrese de alinear el orificio en la varilla con el orificio en el acoplamiento de la varilla de extensión. Instale el pasador transversal (1) retirado en el paso 6 a través del acoplamiento y la varilla de extensión. Inserte el pasador de sujeción (2) en el pasador transversal hasta que encaje en su lugar. Apriete los tornillos de fijación (3) en el acoplamiento. Deslice la cubierta de acoplamiento (4) y el dosel en la varilla de extensión sobre la cubierta de acoplamiento. PROCEDA A LA PÁGINA 71, PASO 8.

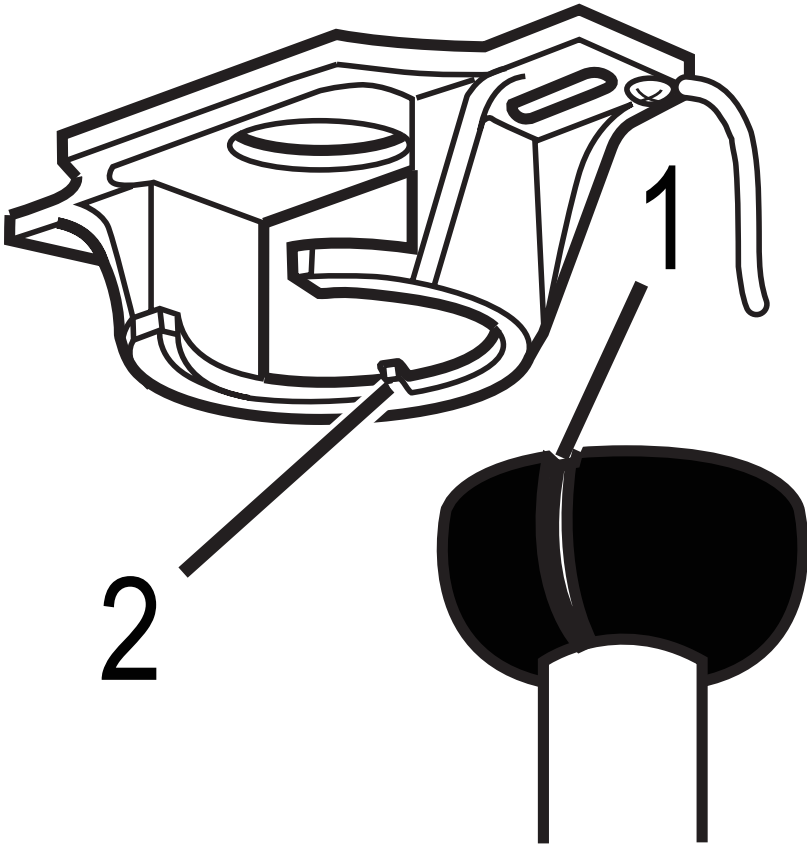


CONFIGURACIÓN Y USO

MONTAJE

9. Levante con cuidado el conjunto del ventilador hacia el soporte de montaje. Gire el ventilador hasta que la muesca en la bola de la varilla de extensión (1) encaje en el caballete en el soporte de montaje (2). Esto permitirá el cableado con las manos libres para la instalación del ventilador en la varilla de extensión.

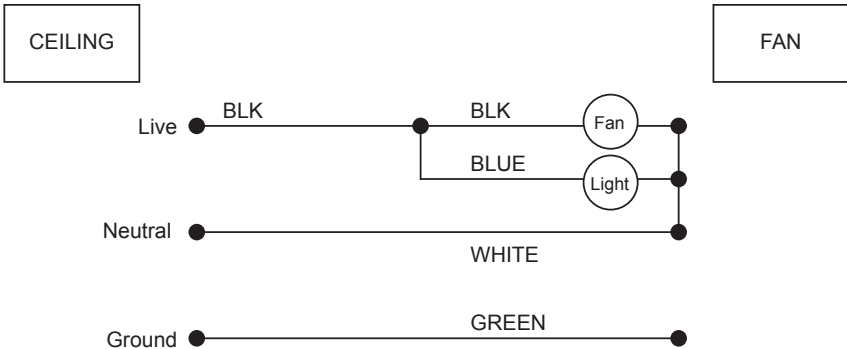
NOTA: Si está instalando el ventilador al ras, necesitará ayuda para sostener el ventilador mientras hace el cableado.



CONFIGURACIÓN Y USO

OPCIONES DE CABLEADO PARA BCF5252 CON INTERRUPTOR DE CADENA

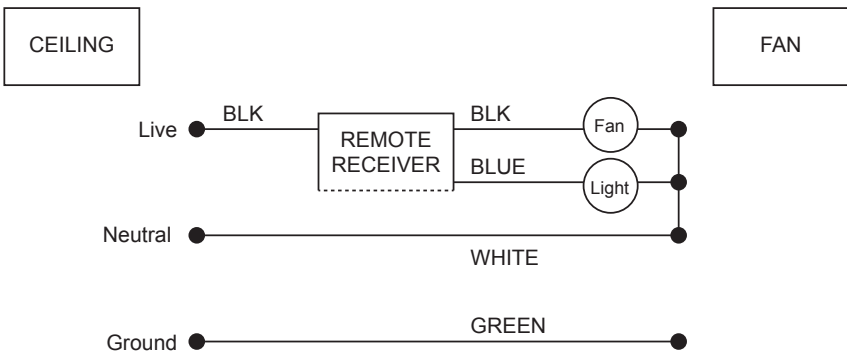
10. Para asegurarse de que no haya cables pelados expuestos después de hacer las conexiones, se recomienda envolver con cinta aislante alrededor de cada conector para evitar que se desconecte.



Use los conectores de cable suministrados para conectar los cables.

OPCIONES DE CABLEADO PARA BCF5252R CON CONTROL REMOTO

11. Los interruptores de frecuencia en su receptor y transmisor han sido configurados de fábrica. Vuelva a verificar para asegurarse de que los interruptores en el transmisor y el receptor estén en la misma posición, cualquier combinación de ajustes operará el ventilador siempre que el transmisor y el receptor estén en la misma posición.



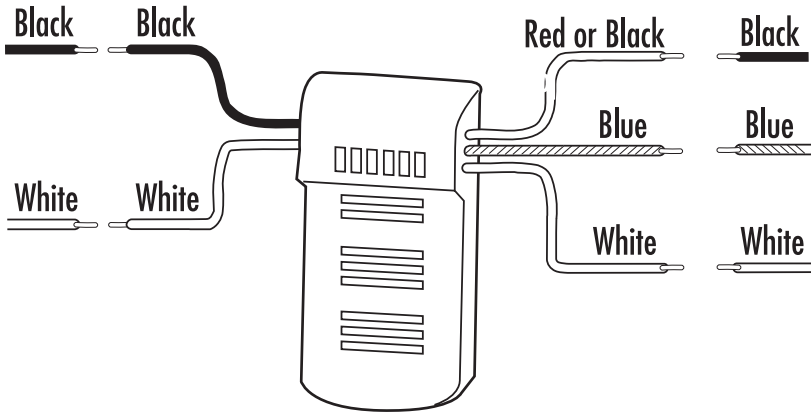
Use los conectores de cable suministrados para conectar los cables.

CONFIGURACIÓN Y USO

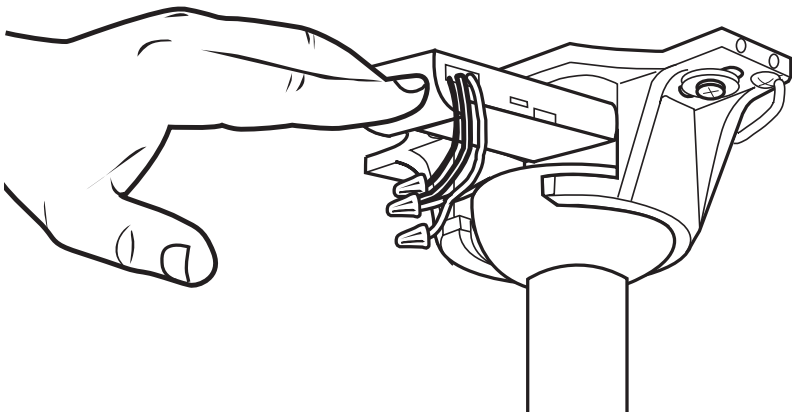
12. Haga las conexiones de cableado desde el techo y el motor del ventilador al receptor remoto como se muestra arriba. Conéctese usando conectores de cables (provistos).

Ceiling

Fan



13. Una vez que el cableado se haya completado, inserte el receptor del control remoto en la parte superior del soporte de montaje como se muestra. En las instalaciones con varilla de extensión, estará en la parte superior de la bola de la varilla de extensión.

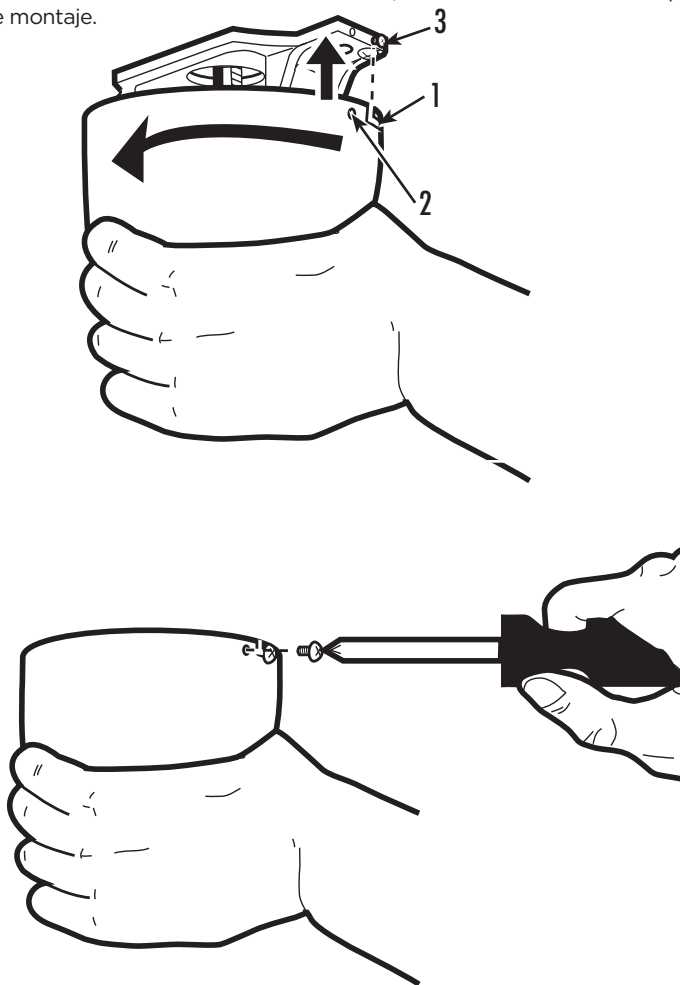


CONFIGURACIÓN Y USO

ASEGURAR AL TECHO

14. El dosel tiene dos ranuras de acoplamiento (1) y dos orificios de acoplamiento (2). Coloque ambas ranuras en el dosel directamente debajo y en línea con los dos tornillos en el soporte de montaje (3). Levante el dosel, permitiendo que los dos tornillos se deslicen en las ranuras de acoplamiento. Gire el dosel hasta que los dos tornillos del soporte de montaje caigan en los huecos de la ranura. Apriete los tornillos hasta que queden seguros. Instale dos tornillos en los orificios correspondientes del dosel y apriételos para asegurar el dosel al soporte de montaje.

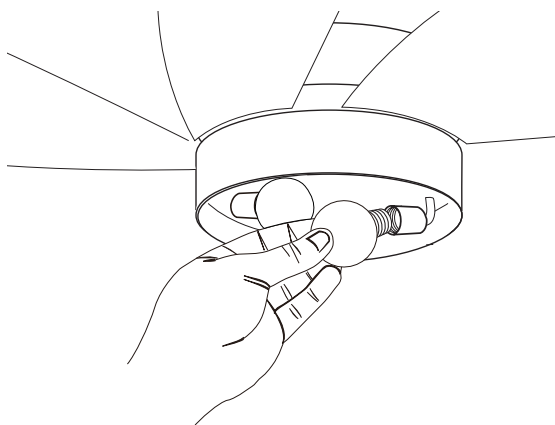
NOTA: Para ventiladores con varilla de extensión, deslice el dosel hasta el soporte de montaje.



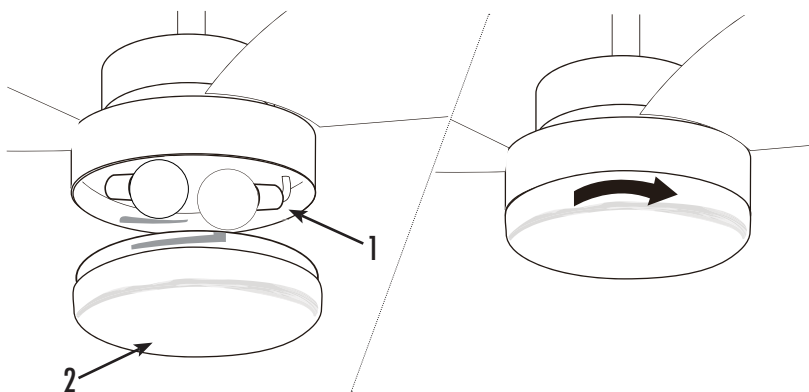
CONFIGURACIÓN Y USO

INSTALACIÓN DE LUMINARIAS

15. Instalar 2 bombillas Tipo A-19, 60W máx. (no incluidas).



16. Ubique las hendiduras en el cuello del vidrio (2) y alinéelas con las protuberancias del juego de luces (1). Levante el vidrio permitiendo que las protuberancias se acoplen a las hendiduras del vidrio y gire el vidrio en el sentido de las agujas del reloj para bloquearlo en su lugar.

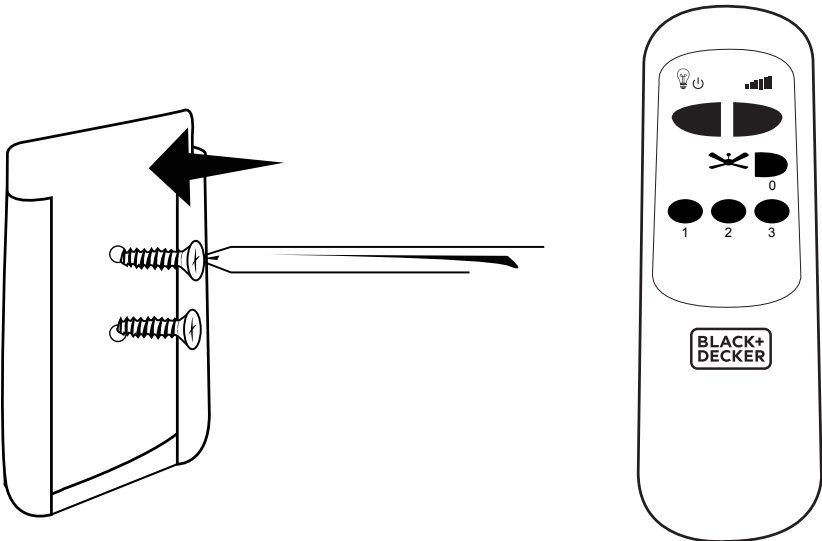


Si su modelo tiene interruptores con cadena, puede conectar las extensiones con los tiradores.

CONFIGURACIÓN Y USO

17. El modelo BCF5252R viene con un soporte para almacenar su control remoto.

Monte el soporte del control remoto en la pared con los tornillos provistos. Si no desea atornillar el soporte del control remoto en la pared, puede comprar un algún adhesivo en su ferretería local.





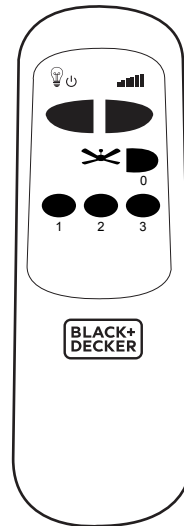
CONFIGURACIÓN Y USO

OPERACIÓN DEL CONTROL REMOTO

PARA EL MODELO BCF5252R

Botón en el control remoto:

- 1 Velocidad de ventilador alta
- 2 Velocidad de ventilador media
- 3 Velocidad de ventilador baja
- 0 Ventilador apagado
-  Luz encendida/apagada
-  Atenuador de luz



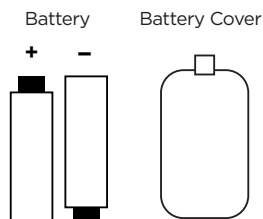
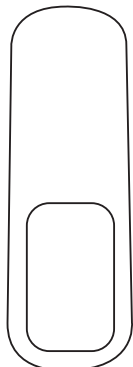
NOTA: Mantenga presionado para aumentar o disminuir la luz. La luz tiene una función de memoria para que la luz permanezca en el mismo brillo que la última vez que se apagó.

1. Instalación de las baterías (baterías no incluidas)

- (1) Abra la tapa del compartimiento de las baterías.
- (2) Inserte 2 baterías "AA" como se muestra a continuación.
- (3) Deslice para volver a colocar la tapa del compartimiento de las baterías.

NOTA: Ase baterías alcalinas de tamaño "AA". No utilice baterías recargables.

Remote Control



CONFIGURACIÓN Y USO

FUNCIONAMIENTO

El interruptor deslizante controla la dirección, hacia adelante o hacia atrás.

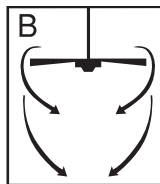
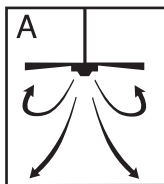
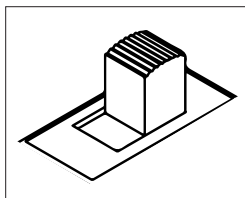
Clima cálido - interruptor en la posición izquierda

El ventilador gira en sentido antihorario. Un flujo de aire hacia abajo crea un efecto de enfriamiento como se muestra en la ilustración A.

Clima frío - interruptor en la posición derecha (ver imagen).

El ventilador gira en el sentido de las agujas del reloj. Un flujo de aire ascendente aleja el aire caliente del área del techo como se muestra en la ilustración B (Esta función se usa generalmente en el invierno).

NOTA: Apague y espere a que el ventilador se detenga antes de cambiar la configuración del interruptor deslizante de configuración de flujo directo/reverso.



OPERACIÓN DE INTERRUPTORES DE CADENA

Si su modelo viene equipado con interruptores de cadena, una cadena controla la luz (encendido / apagado). La otra cadena controla la velocidad del ventilador.

1. El primer tirón pondrá el ventilador en velocidad alta.
2. El segundo tirón pondrá el ventilador en velocidad media.
3. El tercer tirón pondrá el ventilador en velocidad baja.
4. El cuarto tirón apagará el ventilador.

LIMPIEZA + MANTENIMIENTO

LIMPIEZA + MANTENIMIENTO

1. Debido al movimiento natural del ventilador, algunas conexiones pueden aflojarse. Verifique las conexiones de soporte, los enganches y los accesorios de las aspas dos veces al año. Asegúrese de que estén seguros y ajustados.
2. Limpie su ventilador periódicamente para ayudar a mantener su apariencia de nuevo a lo largo de los años. No utilice agua al limpiar. Esto podría dañar el motor o la madera, o posiblemente causar una descarga eléctrica.
3. Use solamente un cepillo suave o un paño sin pelusa para evitar rayar el acabado. El chapado está sellado con un recubrimiento de laca para minimizar la decoloración o el deslustre.
4. No hay necesidad de engrasar su ventilador. El motor tiene cojinetes lubricados permanentemente.
5. Para cambiar (2) las baterías alcalinas tamaño "AA", consulte la página 21.
6. Para cambiar las bombillas, vea la página 19.

CONFIGURACIÓN Y USO

ANTES DE LLAMAR AL SERVICIO TÉCNICO

SI EL ELECTRODOMÉSTICO NO FUNCIONA:

Compruebe si hay un fusible quemado o un disyuntor principal disparado. Si éstos funcionan correctamente, pruebe el enchufe con otro electrodoméstico.

SI NINGUNO DE LOS RESULTADOS ANTERIORES RESUELVE EL PROBLEMA, COMUNÍQUESE CON UN TÉCNICO CALIFICADO. NO INTENTE AJUSTAR O REPARAR EL ELECTRODOMÉSTICO USTED MISMO.

IMPORTANTE

NO DEVUELVA ESTE PRODUCTO A LA TIENDA

Si tiene un problema con este producto, entre en contacto con W Appliance Co. Centro de Satisfacción de Cliente a través del 844-299-0879 o service@appliance.com.

COMPROBANTE CON FECHA DE COMPRA, NÚMERO DE MODELO Y NÚMERO DE SERIE NECESARIOS PARA EL SERVICIO DE GARANTÍA

SOLUCIÓN DE PROBLEMAS Y GARANTÍA

Solucione su problema utilizando el cuadro a continuación. Si el electrodoméstico aún no funciona correctamente, comuníquese con el centro de servicio al cliente de W Appliance Co. Los clientes nunca deben solucionar problemas de componentes internos.

PROBLEMA	SOLUCIÓN POSIBLE
Si el ventilador no se inicia	<ol style="list-style-type: none"> 1. Verifique los fusibles del circuito principal y secundario o los interruptores. 2. Verifique las conexiones de los cables según las páginas de instalación aplicables 11-16. PRECAUCIÓN: asegúrese de que la corriente principal esté apagada. 3. Asegúrese de que el interruptor de flujo directo/reverso esté firmemente en la posición derecha o izquierda. El ventilador no funcionará cuando el interruptor esté en el medio. 4. Si el ventilador aún no se enciende, contacte a un electricista calificado. No intente solucionar problemas en las conexiones eléctricas internas usted mismo. 5. Si se usa el control remoto, verifique las baterías.
Si el ventilador hace mucho ruido	<ol style="list-style-type: none"> 1. Verifique para asegurarse de que todos los tornillos en la carcasa del motor estén ajustados (no demasiado apretados). 2. Verifique que los tornillos que sujetan el soporte de las aspas del ventilador al motor estén apretados. 3. Permita un período de "asentamiento" de 24 horas. La mayoría de los ruidos asociados con un nuevo ventilador desaparecerán después de este período.
Si el ventilador se tambalea	<ol style="list-style-type: none"> 1. Verifique que todas las aspas estén firmemente atornilladas a sus soportes. 2. Verifique que todos los soportes de las aspas estén bien apretados al motor. 3. Asegúrese de que el dosel y el soporte de montaje estén bien ajustados a la viga del techo. 4. Si la oscilación de las aspas todavía es perceptible, el intercambio de dos aspas adyacentes (lado a lado) puede redistribuir el peso y posiblemente dar como resultado una operación más suave.
Si la luz no funciona	<ol style="list-style-type: none"> 1. Verifique si hay bombillas defectuosas. 2. Verifique que las conexiones de cables en la caja del interruptor estén conectadas. 3. Si el kit de luces aún no funciona, comuníquese con un electricista calificado para obtener asistencia.

SOLUCIÓN DE PROBLEMAS Y GARANTÍA

GARANTÍA LIMITADA

Cualquier reparación, reemplazo o servicio de garantía, y todas las preguntas sobre este producto deben dirigirse a W Appliance Co. al **844-299-0879** desde EE.UU. O Puerto Rico.

W Appliance Co. garantiza al comprador original que el producto estará libre de defectos de material, piezas y mano de obra durante el período designado para este producto. La garantía comienza el día en que se compra el producto y cubre hasta un período de **1 año (12 meses) por mano de obra / 1 año (12 meses) por piezas (solo defectos de fabricación)**.

W Appliance Co. acepta que, a su elección, reemplazará el producto defectuoso con una unidad nueva o remanufacturada equivalente a su compra original durante el período de garantía.

Exclusiones: esta garantía no se aplica a lo siguiente:

1. Si la apariencia o el exterior de el producto ha sido dañado o cambiado, alterado o modificado en diseño o construcción.
2. Si el número de serie original del producto ha sido alterado o eliminado o no pudieser fácilmente determinado.
3. Si está dañado debido a una sobrecarga de la línea eléctrica, daño por parte del usuario al cable de alimentación de CA o conexión a una fuente de voltaje incorrecta.
4. Si el daño se debe a un mal uso general, accidentes o actos de Dios.
5. Si los intentos de reparación son realizados por agentes de servicio no autorizados, el uso de piezas que no sean piezas originales o piezas obtenidas de personas que no sean empresas de servicios autorizadas.
6. A unidades que han sido transferidas del propietario original.
7. A productos que han sido comprados como reacondicionados, como nuevos, de segunda mano, en términos de "tal como es" o "venta final".
8. A los productos utilizados en un entorno comercial o de alquiler.
9. A productos utilizados en condiciones distintas a las ordinarias de uso doméstico normal o usado de otra manera que no sea de acuerdo con las instrucciones provistas.
10. A los daños por las llamadas al servicio por instalaciones inadecuadas.
11. A costos de transporte y envío asociados con el reemplazo de la unidad.
12. A llamadas de servicio para instruirlo sobre cómo usar su producto.
13. Llamadas de servicio para reparar o reemplazar el fusible de la casa, reinicie el disyuntor o corrija el cableado de la casa.

LA REPARACIÓN O EL REEMPLAZO SEGÚN LO DISPUESTO BAJO ESTA GARANTÍA ES EL RECURSO EXCLUSIVO DEL CLIENTE; W Appliance Co. NO SERÁ RESPONSABLE POR NINGÚN DAÑO INCIDENTAL O CONSECUENCIAL POR INCUMPLIMIENTO DE CUALQUIER GARANTÍA EXPRESA O IMPLÍCITA DE ESTE PRODUCTO, EXCEPTO EN LA MEDIDA EN QUE LO PROHIBA LA LEY APLICABLE. CUALQUIER GARANTÍA IMPLÍCITA DE COMERCIABILIDAD O IDONEIDAD PARA UN PROPÓSITO PARTICULAR SOBRE ESTE PRODUCTO TIENE UNA DURACIÓN LIMITADA A LA DURACIÓN DE ESTA GARANTÍA.

Algunos estados no permiten la exclusión o limitaciones de daños incidentales o consecuentes, o limitaciones en la duración de la garantía. En estos casos, las exclusiones o limitaciones anteriores pueden no aplicarse en su caso. Esta garantía le otorga derechos legales específicos, y también puede tener otros derechos que varían de estado a estado.

Obtención de servicio: para obtener servicio, documentación del producto, suministros o accesorios, llame al **844-299-0879** para crear un ticket de cambio/ reparación. Asegúrese de proporcionar la fecha de compra, el número de modelo y una breve descripción del problema. Nuestros representantes de servicio al cliente se comunicarán con usted o enviarán instrucciones detalladas de devolución.

W Appliance Co. no garantiza que el electrodoméstico funcionará correctamente en todas las condiciones ambientales, y no ofrece garantía y representación, implícita o explícita, con respecto a la calidad, el rendimiento, la comerciabilidad o la idoneidad para un fin en particular distinto del propósito identificado dentro de este manual de usuario. W Appliance Co. ha hecho todos los esfuerzos posibles para garantizar que este manual del usuario sea preciso y se exime de toda responsabilidad por cualquier inexactitud u omisión que pueda haber ocurrido. La información en este manual del usuario está sujeta a cambios sin previo aviso y no representa un compromiso por parte de W Appliance Co. W Appliance Co. se reserva el derecho de realizar mejoras en este manual del usuario y/o en los productos descritos en este manual del usuario en cualquier momento sin previo aviso. Si encuentra información en este manual que es incorrecta, engañosa o incompleta, comuníquese con nosotros al **844-299-0879**.

W Appliance Co.
1356 Broadway
New York, NY 10018

Este dispositivo cumple con el apartado 15 de las Normas de la FCC. El funcionamiento de este dispositivo está sujeto a las dos condiciones siguientes: (1) este dispositivo no causa interferencias perjudiciales, y (2) este dispositivo debe aceptar cualquier interferencia que reciba, incluidas aquellas que puedan causar un funcionamiento no deseado. Este equipo ha sido sometido a las pruebas pertinentes y cumple con los límites establecidos para un dispositivo digital de clase B, conforme al apartado 15 de las reglas de la FCC. Estos límites se han establecido con el fin de ofrecer una protección razonable frente a interferencias perjudiciales en una instalación residencial. Este equipo genera, utiliza y puede radiar energía de radiofrecuencia, y si no se lo instala y utiliza según las instrucciones, puede causar interferencias perjudiciales para las comunicaciones por radio. Sin embargo, no existe garantía de que las interferencias no puedan producirse en una instalación particular. Si este equipo causa interferencia dañina a la recepción de radio o televisión, lo cual puede determinarse apagando y encendiendo el equipo, se recomienda al usuario que intente corregir la interferencia mediante una o más de las siguientes medidas: a) Reorientar o reubicar la antena de recepción. b) Aumente la separación entre el equipo y el receptor. c) Conecte el equipo a un tomacorriente diferente del que está conectado el receptor. d) Consulte con el distribuidor o un técnico experimentado en radio/TV para obtener ayuda.

BLACK & DECKER, BLACK+DECKER, the BLACK & DECKER and BLACK+DECKER logos and product names and the orange and black color scheme are trademarks of The Black & Decker Corporation, used under license. All rights reserved.

Product in this box may differ slightly from that pictured. Does not affect function. Not all accessories shown in photography are included in this package.

Imported by W Appliance, Inc., 1356 Broadway, New York, NY 10018

Les logos et les noms de produits BLACK & DECKER, BLACK+DECKER, BLACK & DECKER et BLACK+DECKER ainsi que les couleurs orange et noire sont des marques de commerce de The Black & Decker Corporation, utilisées sous licence. Tous droits réservés.

Le produit dans cette boîte peut différer légèrement de celui illustré. N'affecte pas la fonction. Pas tous les accessoires présentés dans la photographie sont inclus dans ce paquet

Importé par W Appliance, Inc., 1356 Broadway, New York, NY 10018

BLACK & DECKER, BLACK+DECKER, los logos BLACK & DECKER y BLACK+DECKER y los nombres de productos y el esquema de color naranja y negro son marcas comerciales de The Black & Decker Corporation, utilizadas bajo licencia. Todos los derechos reservados.

El producto en esta caja puede diferir levemente del de la imagen. No afecta su función. No todos los accesorios que se muestran en la fotografía están incluidos en este paquete.