

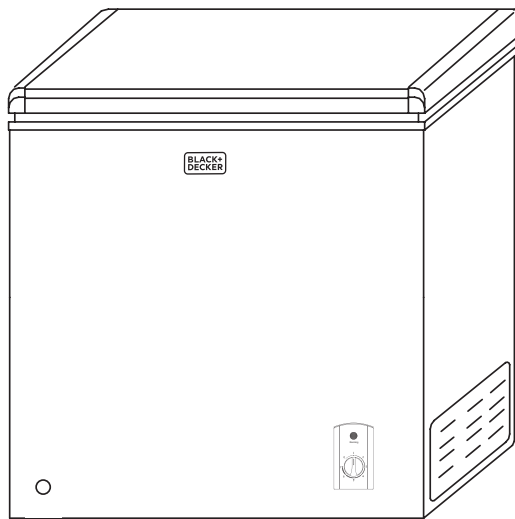
# BLACK+<sup>®</sup> DECKER

## CHEST FREEZER INSTRUCTION MANUAL

CATALOG NUMBER

**BCFK35, BCFK51, BCFK70**

**BCFK356, BCFK516, BCFK706**



**Thank you for choosing BLACK+DECKER!**

**PLEASE READ BEFORE RETURNING THIS PRODUCT FOR ANY REASON.**

If you have a question or experience a problem with your BLACK+DECKER purchase, go to [www.blackanddecker.com/instantanswers](http://www.blackanddecker.com/instantanswers)

If you can't find the answer or do not have access to the Internet, call 844-299-0879 from 10:30 a.m. to 6:30 p.m. EST Mon. - Fri. to speak with an agent. Please have the catalog number available when you call.

**SAVE THIS MANUAL FOR FUTURE REFERENCE.**

# CONTENTS

## SAFETY INFORMATION

Important Safety Instructions.....	3-4
Refrigerant.....	4
Grounding Instructions.....	5

## SET UP & USE

Installation Guide.....	7
Starting your New Freezer.....	8
Parts & Features.....	9
Operation Instructions.....	9-10

CLEANING & CARE.....	11-12
----------------------	-------

## TROUBLE SHOOTING & WARRANTY

Before You Call For Service.....	13
Customer Service.....	13
Troubleshooting.....	13-14
Limited Warranty.....	15

# PRODUCT REGISTRATION

Thank you for purchasing our BLACK+DECKER product. This easy-to-use manual will guide you in getting the best use of your freezer.

Remember to record the model and serial numbers. They are on a label on the back of the product.

Staple your receipt to your manual. You will need it to obtain warranty service.

\_\_\_\_\_

Model number

\_\_\_\_\_

Serial number

\_\_\_\_\_

Date of purchase

## SAFETY INFORMATION

### DANGER

**DANGER** - Immediate hazards which **WILL** result in severe personal injury or death

### WARNING

**WARNING** - Hazards or unsafe practices which **COULD** result in severe personal injury or death

### CAUTION

**CAUTION** - Hazards or unsafe practices which **COULD** result in minor personal injury

## IMPORTANT SAFETY INSTRUCTIONS

### WARNING

When using electrical appliances, basic safety precautions should be followed, including the following:

READ ALL INSTRUCTIONS BEFORE USING THE UNIT

**NOTE:** If the freezer has been placed in a horizontal or tilted position for any period of time, wait 24 hours before plugging the unit in.

1. Use this appliance only for its intended purpose as described in this use and care guide.
2. This freezer must be properly installed in accordance with the installation instructions before it is used. See grounding instructions in the installation section.
3. Never unplug freezer by pulling on the power cord. Always grasp the plug firmly and pull straight out from the outlet.
4. Do not operate any appliance with a damaged cord or plug. Return appliance to the nearest authorized service facility for examination, repair or adjustment.
5. Unplug freezer before cleaning or before making any repairs.
 

**Note:** If for any reason this product requires service, we strongly recommend that a certified technician performs the service. Component parts shall be replaced with like components and servicing shall be done by factory authorized service personnel, so as to minimize the risk of possible ignition due to incorrect parts or improper service.
6. Do not use any electrical device or any sharp instrument in defrosting the freezer.
7. After the freezer is in operation, do not touch the cold surfaces in the freezer compartment, particularly when hands are damp or wet. Skin may adhere to these extremely cold surfaces.
8. Do not refreeze foods that have been thawed completely. The United States Department of Agriculture in Home and Garden Bulletin No. 69 reads: "...You may safely refreeze frozen foods that have thawed if they still contain ice crystals or if they are still cold-below 40°F.
 

"...Thawed ground meats, poultry, or fish that have any off-odor or off-color should not be refrozen and should not be eaten. Thawed ice cream should be discarded. If the odor or color of any food is poor or questionable, discard it. The food may be dangerous to eat ... Even partial thawing and re-freezing reduce the eating quality of foods, particularly fruits, vegetables, and prepared foods. The eating quality of red meats is affected less than that of many other foods. Use refrozen foods as soon as possible, to save as much of its eating quality as you can."

## SAFETY INFORMATION

- This freezer should not be recessed or built-in in an enclosed cabinet. It is designed for freestanding installation only.
- Do not operate freezer in the presence of explosive fumes.

## SAVE THESE INSTRUCTIONS HOUSEHOLD USE ONLY






### DANGER

Risk of child entrapment. Before disposing of any freezer or refrigerator, remove door(s). Leave any shelves in place so that children may not easily climb inside.

## REFRIGERANT



### GAS WARNINGS

-  **DANGER** - Risk of fire or explosion. Flammable refrigerant used. DO NOT use mechanical devices to defrost freezer. DO NOT puncture refrigerant tubing.
-  **DANGER** - Risk of fire or explosion. Flammable refrigerant used. To be repaired only by trained service personnel. DO NOT puncture refrigerant tubing.
-  **CAUTION** - Risk of fire or explosion. Flammable refrigerant used. Consult repair manual/owner's guide before attempting to service this product. All safety precautions must be followed.
-  **CAUTION** - Risk of fire or explosion. Dispose of property in accordance with federal or local regulations. Flammable refrigerant used.
-  **CAUTION** - Risk of fire or explosion due to puncture of refrigerant tubing; Follow handling instructions carefully. Flammable refrigerant used.

# SAFETY INFORMATION

## GROUNDING INSTRUCTIONS

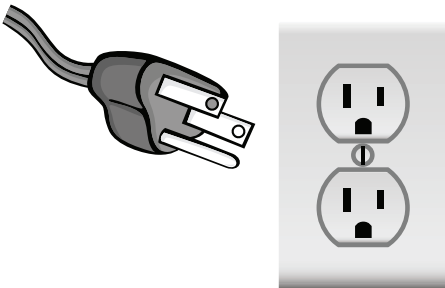
### ELECTRICAL REQUIREMENTS

In the event of malfunction or breakdown, grounding provides a path of least resistance for electric current to reduce the risk of electric shock. The appliance must be connected to a cord having an equipment-grounding conductor and a grounding plug. The plug must be plugged into an appropriate outlet that is properly installed and grounded in accordance with all local codes and ordinances.

**⚠ DANGER** - Improper connection of the equipment grounding conductor can result in a risk of electric shock. The conductor with insulation having an outer surface that is green with or without yellow stripes is the equipment grounding conductor. If repair or replacement of the cord or plug is necessary, do not connect the equipment-grounding conductor to a live terminal. Check with a qualified electrician or service person if the grounding instructions are not completely understood, or if in doubt as to whether the [tool/appliance] is properly grounded. Do not modify the plug connected to the [tool/appliance] - if it will not fit the outlet, have a proper outlet installed by a qualified electrician.

FOR GROUNDED, CORD-CONNECTED [TOOL/APPLIANCE] RATED LESS THAN 15A AND INTENDED FOR USE ON A NOMINAL 120V SUPPLY CIRCUIT

The appliance is for use on a nominal 120V circuit and should be connected to a grounding outlet that looks like the one illustrated below. The use of a temporary adaptor is not recommended.



## SET UP & USE

### POWER SUPPLY CORD

1. Avoid the use of an extension cord because of potential safety hazards under certain conditions. Have a qualified electrician or serviceman to install an outlet near the appliance.
2. If it is absolutely necessary to use an extension cord, extreme care must be exercised.
  - a) Use only a grounding type 3-wire extension cord that has a 3-blade grounding plug and a 3-slot receptacle that will accept the plug on the appliance.
  - b) The marked electrical rating of the extension cord must equal to or greater than the electrical rating of the appliance. The longer cord should be arranged so that it will not drape over the counter top or table top where it can be pulled on by children or tripped over unintentionally.

**NOTE:** Neither **BLACK+DECKER** nor the dealer can accept any liability for damage to the product or personal injury resulting from failure to observe the electrical connection procedures.

# SET UP & USE

## INSTALLATION GUIDE

1. Unpack your freezer by removing all packaging materials like carton, base, foams, adhesive tape, etc.
2. Remove all accessories, internal packaging material used to hold shelves, ice tray, etc. in place.
3. Clean the remains of all adhesive tape used and remove all printed material supplied.
4. Install the freezer in a convenient location away from extreme heat and cold. Allow sufficient clearance between the freezer and side wall so the door(s) will open without obstruction. Freezer is not designed for recessed installation.
5. The floor on which the freezer should be placed must be flat, hard, solid, and even. The freezer should not be placed on any soft material such as foam, plastic, carpeting, etc.
6. The following are recommended minimum clearances around the freezer for proper air circulation:  
Sides:  $\frac{3}{4}$ " (19mm)  
Back: 2" (50mm)  
Proper air circulation will help your freezer work at maximum efficiency.

**NOTE:** The appliance must be correctly connected to the power supply.

### CAUTION

Care should be taken during the handling moving and use of the freezer to avoid damaging the refrigerant tubing or increasing the risk of a leak.

### WARNING

It is important to keep the power cord away from the compressor at the back of the freezer as during operation, the compressor can reach a high temperature and could cause serious damage to the power cord.

## SET UP & USE

### PROTECTION FROM HEAT AND MOISTURE

- Do not install your freezer in any location where heavy moisture is present or if the location is not properly insulated. This freezer is not designed to operate in temperature setting below 55°F.
- Location for the freezer should be on a hard surface and away from direct sunlight and heat source, e.g., radiators, baseboard heaters, cooking appliances, etc.

### STARTING YOUR NEW FREEZER

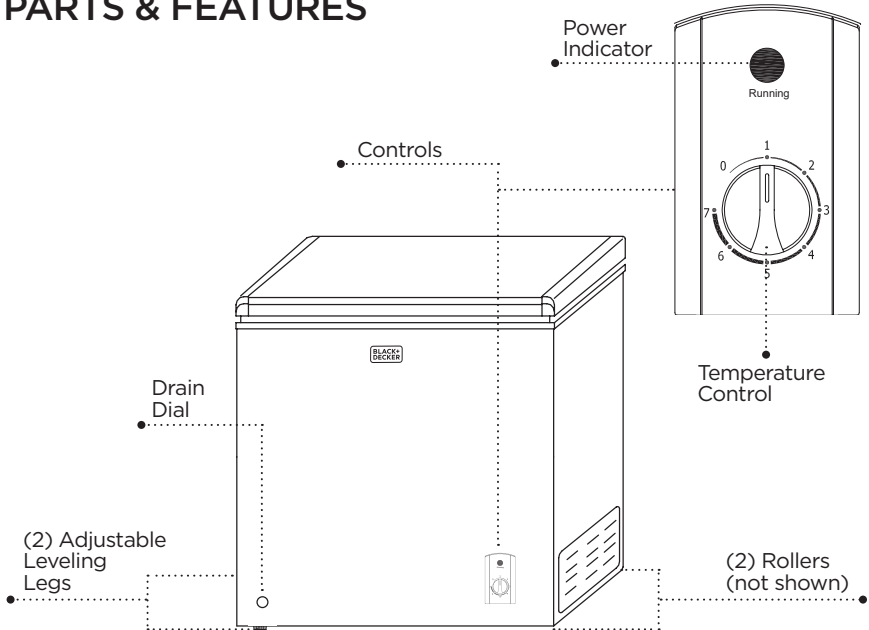
1. After cleaning your freezer thoroughly, wipe the outside with a soft dry cloth, the interior with a clean moist cloth.
2. Insert the power supply cord into the electrical outlet.
3. Turn the thermostat dial to an initial setting of "7" for 24 hours and then set the freezer to your desired setting.

**NOTE:** As the door gets pressed in during shipping, the gasket may have to be reset. This is done to prevent the cool refrigerated air from escaping. If there is a gap between the door gasket and the cabinet, set the gasket by gently pulling it out of the seal gap.



# SET UP & USE

## PARTS & FEATURES



## OPERATION INSTRUCTIONS

### TEMPERATURE CONTROL

**NOTE:** If the freezer has been placed in a horizontal or tilted position for any period of time wait 24 hours before plugging the unit in.

- The settings of the temperature control are "0, 1, 2, 3, 4, 5, 6, 7." Adjust the temperature control to the setting that best suits your needs.
- Turning the temperature to "0" position will shut off the cooling cycle, but does not turn off the electrical power to the unit.

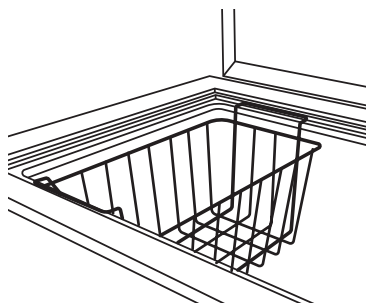
**NOTE:**

- Wait 3-5 minutes before restarting if you unplug the freezer. The unit may fail to operate properly if restarted too quickly.
- If the ambient temperature is too high, the freezer may not reach the desired target temperature.
- Large amounts of foods will lower the cooling efficiency of the appliance.
- Do not place the foods on the air outlet and leave spaces for airflow.
- If you choose to change the thermostat setting, adjust thermostat control one increment at a time. Allow several hours for temperature to stabilize between adjustments.

## SET UP & USE

### FOOD STORAGE

- Your freezer has a removeable basket to better store and organize the contents.



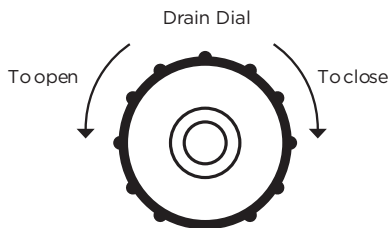
### DEFROSTING & DRAINING

- Defrost whenever the frost becomes  $\frac{1}{8}$ " thick. Never use a sharp or metallic instrument to remove the frost as it may damage the cooling coils.  
**NOTE:** A punctured coil will void the warranty.
- Turn the temperature control to OFF position and unplug the unit. Remove the drain plug from the inside of the freezer. Defrosting usually takes a few hours. To defrost faster keep the door open.

### DANGER

Risk of child entrapment. Keep children away from freezer while defrosting. Leave any shelves in place so that children may not easily climb inside.

- For draining, place a tray beneath the outer drain dial. Turn the drain dial in a counter-clockwise direction to remove (see fig. below). This will let the water flow out into the tray. When finished, replace the drain dial and turn in a clockwise direction to close.  
**NOTE:** Monitor the container under the drain to avoid overflow.
- Wipe the interior of the freezer and replace the electrical plug in the electrical outlet.
- Reset the temperature control to the desired setting.



# CLEANING AND CARE

## CLEANING AND MAINTAINING

The freezer should be cleaned and maintained once a month. Before doing so, you must unplug the freezer.

### CAUTION

To avoid personal injury or product damage always read and follow manufacturer's instructions and warnings before using any cleaning products.

### WARNING

Always unplug your freezer before cleaning to avoid electric shock. Ignoring this warning may result in death or injury

## POWER INTERRUPTION

In case of a power interruption/outage, unplug the power cord from the wall outlet. Replug the power cord to the wall outlet once the power has been restored. For long period of power outage, inspect and discard the spoiled or thawed foods from the freezer and freezer compartments. Clean the freezer thoroughly before using again.

## CLEANING METHOD

Prepare a cleaning solution of 3-4 tablespoons of baking soda mixed with warm water. Use sponge or soft cloth, dampened with the cleaning solution to wipe down your freezer.

- Rinse with clean warm water and dry with a soft cloth,
- Do not use harsh chemicals, abrasives, ammonia, chlorine bleach, concentrated detergents, solvents or metal scouring pads. Some of these chemicals may dissolve, damage and/or discolor your freezer.

## DOOR GASKET

Clean door gaskets every three months according to general instructions.

Gasket must be kept clean and pliable to assure a proper seal.

- Petroleum jelly applied lightly on the hinge sides of gaskets will keep the gasket pliable and ensure a good seal.

# CLEANING AND CARE

## VACATION AND MOVING CARE

- When going on vacation, it is best that you empty all the food from your freezer and freezer. Set the temperature dial to “0” and unplug the freezer. Clean the unit as per “Cleaning Method” and leave the door open to remove any odors.

When travelling or moving the freezer, always transport the unit vertically. Moving the unit on its sides may damage the freezer and/or its compressor.

 **WARNING:** DO NOT TRY TO REPAIR THE FREEZER YOURSELF.

## ENERGY SAVING TIPS

- The freezer should be located in the coolest area of the room, away from heat-producing appliances or heating ducts, and out of direct sunlight.
- Let hot foods cool to room temperature before placing in the freezer. Overloading the freezer forces the compressor to run longer and thus increase energy consumption. Foods that refrigerate too slowly may lose quality or spoil.
- Be sure to wrap foods properly, and wipe containers dry before placing in the freezer.
- The shelves should not be lined with aluminium foil, wax paper, or paper towels. This will interfere with cold air circulation, making the freezer less efficient.
- Organize food to reduce door openings and extended searches. Remove as many items as needed at one time, and close the door as soon as possible.

## HOW TO DEFROST

- Defrost the freezer compartment when the frost accumulated is about 1/8” thick.
- Set the temperature control dial to “0” before defrosting. Remove all contents from the freezer compartment and leave the top lid open until ice and frost dissolve thoroughly. Make sure the drip tray is in place and unplug the unit. After defrosting, empty water from drip tray and wipe the compartment dry with a soft cloth and then adjust the temperature control dial to the desired position.

**NOTE:**

- In case you want to speed up the defrosting, you may put a bowl of warm water (about 122°F) into the freezer.
- Do not heat the evaporator directly with hot water or hair dryer while defrosting. Doing so will damage the freezer compartment.
- Never use a sharp or metallic instrument to remove frost as it may damage the freezer and puncture the cooling coils. It will also void the warranty. We recommend using a plastic scraper.

## **TROUBLESHOOTING & WARRANTY**

### **BEFORE YOU CALL FOR SERVICE**

IF THE FREEZER FAILS TO OPERATE:

- A) Check to make sure that the freezer is plugged in securely. If it is not, remove the plug from the outlet, wait 10 seconds and plug it in again securely.
- B) Check for a blown circuit fuse or a tripped main circuit breaker. If these seem to be operating properly, test the outlet with another appliance.

IF NONE OF THE ABOVE SOLVES THE PROBLEM, CONTACT A QUALIFIED TECHNICIAN. DO NOT TRY TO ADJUST OR REPAIR THE FREEZER YOURSELF.

### **CUSTOMER SERVICE**

## **IMPORTANT**

### **DO NOT RETURN THIS PRODUCT TO THE STORE**

If you have a problem with this product, please contact the **BLACK+DECKER Customer Satisfaction Center** at **844-299-0879** or **service@appliance.com**.

**DATED PROOF OF PURCHASE, MODEL # AND SERIAL #  
REQUIRED FOR WARRANTY SERVICE**

# TROUBLESHOOTING & WARRANTY

## TROUBLESHOOTING

Troubleshoot your problem by using the chart below. If the freezer still does not work properly, contact BLACK+DECKER customer service center or the nearest authorized service center. Customers must never troubleshoot internal components.

TROUBLE	POSSIBLE CAUSE	POSSIBLE REMEDY
Freezer does not work.	<ul style="list-style-type: none"> <li>A. Freezer is not switched on.</li> <li>B. Unit is not plugged in or is loose.</li> <li>C. Fuse has blown or is defective.</li> <li>D. Wall power socket is defective.</li> </ul>	<ul style="list-style-type: none"> <li>A. Turn on the temperature control dial. It may be in the OFF, "O" position.</li> <li>B. Plug in the freezer.</li> <li>C. Check fuse, replace if necessary.</li> <li>D. To be corrected by a qualified electrician.</li> </ul>
The food is too warm.	<ul style="list-style-type: none"> <li>A. Temperature is not properly adjusted.</li> <li>B. Top lid was open for an extended period.</li> <li>C. A large quantity of warm food was placed in the freezer within the last 24 hours.</li> <li>D. The freezer is near a heat source.</li> </ul>	<ul style="list-style-type: none"> <li>A. Set the temperature control dial to a cooler setting.</li> <li>B. Open the top lid only as long as necessary. Check door gasket for proper seal.</li> <li>C. Set the temperature control dial to a colder setting temporarily.</li> <li>D. Please look in the "Protection From Heat and Moisture" section.</li> </ul>
Heavy build-up of frost, possibly also on the top lid seal. <b>NOTE:</b> This is normal during high humidity periods. Frequent door openings will also cause heavy frost buildup.	<ul style="list-style-type: none"> <li>A. Top lid seal is not air-tight.</li> </ul>	<ul style="list-style-type: none"> <li>A. Carefully warm the leaking sections of the top lid gasket with a hair dryer (on a cool setting). At the same time, shape the warmed top lid seal by hand such that it sits correctly.</li> </ul>
Popping or cracking sounds.	<ul style="list-style-type: none"> <li>A. When compressor comes on.</li> </ul>	<ul style="list-style-type: none"> <li>A. This is a normal sound of coolant flowing through condenser coils.</li> </ul>
Freezer door does not shut properly.	<ul style="list-style-type: none"> <li>A. Possible blockage from food containers or baskets.</li> </ul>	<ul style="list-style-type: none"> <li>A. Ensure nothing is blocking the door.</li> </ul>
Freezer has an odor.	<ul style="list-style-type: none"> <li>A. Foods not properly sealed.</li> <li>B. Interior needs cleaning.</li> </ul>	<ul style="list-style-type: none"> <li>A. Removed any contaminated foods.</li> <li>B. Please refer to "Cleaning and Care" section.</li> </ul>

# TROUBLESHOOTING & WARRANTY

## LIMITED WARRANTY

Any repair, replacement, or warranty service, and all questions about this product should be directed to W Appliance Co. at **844-299-0879** from the USA or Puerto Rico.

BLACK+DECKER warrants to the original purchaser that the product will be free from defects in material, parts and workmanship for the period designated for this product. The warranty commences the day the product is purchased and covers up to a period of **1 year (12 months) for labor/1 year (12 months) for parts (manufacturing defects only)/carry in service/ and a total of 2 years (24 months) for compressor part only.** BLACK+DECKER agrees that it will, at its option, replace the defective product with either a new or remanufactured unit equivalent to your original purchase during the warranty period.

**Exclusions:** This warranty does not apply to the below:

1. If the appearance or exterior of the product has been damaged or defaced, altered or modified in design or construction.
2. If the product original serial number has been altered or removed or cannot be readily determined.
3. If there is damaged due to power line surge, user damage to the AC power cord or connection to improper voltage source.
4. If damage is due to general misuse, accidents or acts of God.
5. If repair attempts are done by unauthorized service agents, use of parts other than genuine parts or parts obtained from persons other than authorized service companies.
6. On units that have been transferred from the original owner.
7. On products that have been purchased as refurbished, like new, second-hand, in a "As-Is" or "Final Sale" terms.
8. To products used in a commercial or rental setting.
9. To products used in settings other than ordinary household use or used other than in accordance with the provided instructions.
10. To damages for service calls for improper installations.
11. To glass parts and other accessory items that are included with the unit.
12. Transportation and shipping costs associated with the replacement of the unit.
13. Food loss for loss due to product failure or delay in service, repair or replacement.
14. Service calls to instruct you how to use your product.
15. Service calls to repair or replace the house fuse, reset the circuit breaker or correct the wiring in the house.

REPAIR OR REPLACEMENT AS PROVIDED UNDER THIS WARRANTY IS THE EXCLUSIVE REMEDY OF THE CUSTOMER; BLACK+DECKER SHALL NOT BE LIABLE FOR ANY INCIDENTAL OR CONSEQUENTIAL DAMAGES FOR BREACH OF ANY EXPRESS OR IMPLIED WARRANTY ON THIS PRODUCT, EXCEPT TO THE EXTENT PROHIBITED BY APPLICABLE LAW. ANY IMPLIED WARRANTY OF MERCHANTABILITY OF FITNESS FOR A PARTICULAR PURPOSE ON THIS PRODUCT IS LIMITED TO THE DURATION OF THE WARRANTY.

Some states do not allow the exclusion or limitations of incidental or consequential damages, or limitations on how long the warranty lasts. In these cases the above exclusions or limitations may not apply to you. This warranty gives you specific legal rights and you may also have other rights which vary from state to state.

**Obtaining Service:** To obtain service, product literature, supplies or accessories please call **844-299-0879** to create a ticket for exchange/repair. Please make sure to provide the date of purchase, model number and a brief description of the problem. Our customer service representative will contact you or send detailed return instructions.

BLACK+DECKER does not warrant that the appliance will work properly in all environmental conditions, and makes no warranty and representation, either implied or expressed, with respect to the quality, performance, merchantability, or fitness for a particular purpose other than the purpose identified within this user's manual. BLACK+DECKER has made every effort to ensure that this user's manual is accurate and disclaims liability for any inaccuracies or omissions that may have occurred. Information in this user's manual is subject to change without notice and does not represent a commitment on the part of BLACK+DECKER. BLACK+DECKER reserves the right to make improvements to this user's manual and/or to the products described in this user's manual at any time without notice. If you find information in this manual that is incorrect, misleading, or incomplete, please contact us at **844-299-0879**.

W Appliance Co.  
1356 Broadway  
New York, NY 10018

BLACK & DECKER, BLACK+DECKER, the BLACK & DECKER and BLACK+DECKER logos and product names and the orange and black color scheme are trademarks of The Black & Decker Corporation, used under license. All rights reserved.

Product in this box may differ slightly from that pictured. Does not affect function. Not all accessories shown in photography are included in this package.

Imported by W Appliance, Inc., 1356 Broadway, New York, NY 10018



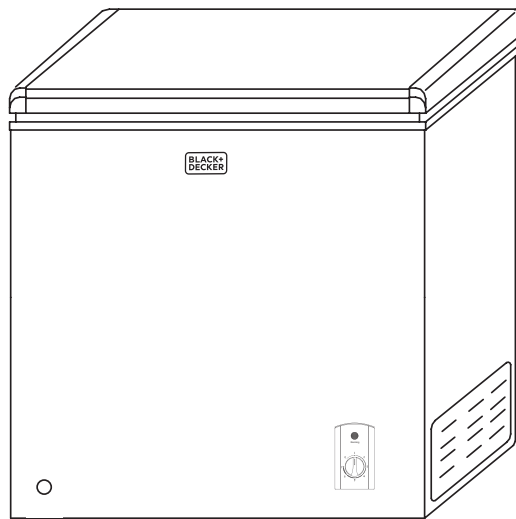
# BLACK+<sup>®</sup> DECKER

## CONGÉLATEUR COFFRE MANUEL D'INSTRUCTIONS

NUMÉRO DE CATALOGUE

**BCFK35, BCFK51, BCFK70**

**BCFK356, BCFK516, BCFK706**



**Merci d'avoir choisi BLACK+DECKER!**

**VEUILLEZ LIRE AVANT DE RETOURNER CE PRODUIT POUR  
UNE RAISON QUELCONQUE.**

Si vous avez une question ou avez un problème avec votre achat  
BLACK+DECKER, allez sur [www.blackanddecker.com/instantanswers](http://www.blackanddecker.com/instantanswers)

Si vous ne trouvez pas la réponse ou n'avez pas accès à l'internet, appelez le  
844-299-0879 de 10 h 30 à 18 h 30 HNE du lundi au vendredi pour parler avec  
un agent. Veuillez avoir le numéro de catalogue disponible quand vous appelez.

**GARDEZ CE MANUEL POUR RÉFÉRENCE FUTURE.**

# TABLE DES MATIÈRES

## INFORMATION SUR LA SÉCURITÉ

Consignes De Sécurité Importantes.....	19-20
Réfrigérant .....	20
Instructions De Mise À La Terre .....	21

## CONFIGURATION ET UTILISATION

Guide d'Installation .....	23
Démarrage De Votre Nouveau Congélateur .....	24
Pièces Et Caractéristiques .....	25
Mode d'Emploi .....	25-26

<b>NETTOYAGE ET ENTRETIEN .....</b>	<b>27-28</b>
-------------------------------------	--------------

## DÉPANNAGE ET GARANTIE

Avant d'Appel Le Service.....	29
Service Client .....	29
Dépannage.....	29-30
Garantie Limitée .....	31

# ENREGISTREMENT DU PRODUIT

Merci d'avoir acheté notre produit BLACK+DECKER. Ce manuel facile à utiliser vous guidera pour tirer le meilleur parti de votre congélateur.

N'oubliez pas d'enregistrer les numéros de modèle et de série. Ils sont sur une étiquette à l'arrière du produit.

Agrafez votre reçu à votre manuel. Vous en aurez besoin pour le service de garantie.

\_\_\_\_\_  
Numéro de modèle

\_\_\_\_\_  
Numéro de série

\_\_\_\_\_  
Date d'achat

# INFORMATION SUR LA SÉCURITÉ

## DANGER

**DANGER** - Dangers immédiats qui VONT entraîner des blessures corporelles graves ou la mort

## AVERTISSEMENT

**AVERTISSEMENT** - Dangers ou pratiques dangereuses qui POURRAIENT entraîner des blessures graves ou la mort

## ATTENTION

**ATTENTION** - Dangers ou pratiques dangereuses qui POURRAIENT entraîner des blessures mineures

# CONSIGNES DE SÉCURITÉ IMPORTANTES

## AVERTISSEMENT

Lors de l'utilisation d'appareils électriques, des précautions de sécurité de base doivent être suivies, y compris les suivantes:  
LISEZ TOUTES LES INSTRUCTIONS AVANT D'UTILISER L'APPAREIL

**REMARQUE:** Si le congélateur a été placé en position horizontale ou inclinée pendant un certain temps, attendez 24 heures avant de brancher l'appareil.

1. Utilisez cet appareil uniquement pour l'usage auquel il est destiné, comme décrit dans ce guide d'utilisation et d'entretien.
2. Ce congélateur doit être correctement installé conformément aux instructions d'installation avant d'être utilisé. Voir les instructions de mise à la terre dans la section d'installation.
3. Ne débranchez jamais le congélateur en tirant sur le cordon d'alimentation. Saisissez toujours fermement la fiche et enlevez-la directement de la prise.
4. N'utilisez aucun appareil dont le cordon ou la fiche sont endommagés. Retournez l'appareil au centre de service agréé le plus proche pour examen, réparation ou réglage.
5. Débranchez le congélateur avant de le nettoyer ou avant d'effectuer des réparations.

**REMARQUE:** Si, pour une raison quelconque, ce produit exige un entretien, nous recommandons fortement qu'un technicien certifié effectue le service. Les composants doivent être remplacés par des composants similaires et l'entretien doit être effectué par du personnel de service autorisé par l'usine, afin de minimiser le risque d'inflammation possible à cause de pièces incorrectes ou d'un entretien inapproprié.

6. N'utilisez pas d'appareil électrique ou d'instrument pointu pour dégivrer le congélateur.
7. Une fois le congélateur en marche, ne touchez pas les surfaces froides du compartiment congélateur, en particulier quand les mains sont humides ou mouillées. La peau peut adhérer à ces surfaces extrêmement froides.
8. Ne recongelez pas les aliments qui ont été complètement décongelés. Le Ministère de l'Agriculture des États-Unis dans Home and Garden Bulletin No. 69 dit : "...Vous pouvez recongeler en toute sécurité les aliments surgelés qui ont décongelé s'ils contiennent encore des cristaux de glace ou s'ils sont encore froids à moins de 40 °F.  
"...Les viandes, volailles ou poissons hachés décongelés qui ont une odeur ou une couleur désagréable ne doivent pas être recongelés et ne doivent pas être consommés. La crème glacée décongelée doit être jetée. Si l'odeur ou la

## SAFETY INFORMATION

couleur d'un aliment est mauvaise ou douteuse, jetez-le. La nourriture peut être dangereuse à manger... Même une décongélation et une recongélation partielles réduisent la qualité gustative des aliments, en particulier les fruits, légumes et aliments préparés. La qualité gustative des viandes rouges est moins affectée que celle de nombreux autres aliments. Utilisez les aliments recongelés dès que possible, pour économiser autant que possible sa qualité gustative."

9. Ce congélateur ne doit pas être encastré ou intégré dans une armoire fermée. Il est conçu pour une installation autonome uniquement.
10. Ne pas faire fonctionner le congélateur en présence de vapeurs explosives.

## GARDEZ CES INSTRUCTIONS USAGE MÉNAGER UNIQUEMENT

### DANGER

Risque de piégeage des enfants. Avant de jeter un congélateur ou un réfrigérateur, enlevez la ou les portes. Laissez les tablettes en place afin que les enfants ne puissent pas facilement grimper à l'intérieur.

## RÉFRIGÉRANT



### AVERTISSEMENTS DE GAZ



**DANGER** - Risque d'incendie ou d'explosion. Réfrigérant inflammable utilisé. NE PAS utiliser de dispositifs mécaniques pour dégivrer le congélateur. NE PAS percer la tubulure de réfrigérant.



**DANGER** - Risque d'incendie ou d'explosion. Réfrigérant inflammable utilisé. À réparer uniquement par du personnel de service qualifié. NE PAS percer la tubulure de réfrigérant.



**ATTENTION** - Risque d'incendie ou d'explosion. Réfrigérant inflammable utilisé. Consultez le manuel de réparation/le guide du propriétaire avant d'essayer de réparer ce produit. Toutes les précautions de sécurité doivent être suivies.



**ATTENTION** - Risque d'incendie ou d'explosion. Éliminer les biens conformément aux réglementations fédérales ou locales. Réfrigérant inflammable utilisé.



**ATTENTION** - Risque d'incendie ou d'explosion dû à la perforation de la tuyauterie de fluide frigorigène ; Suivez attentivement les instructions de manipulation. Réfrigérant inflammable utilisé.

# INFORMATION SUR LA SÉCURITÉ

## INSTRUCTIONS DE MISE À LA TERRE

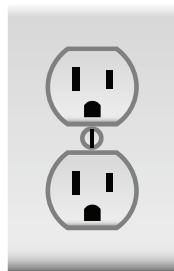
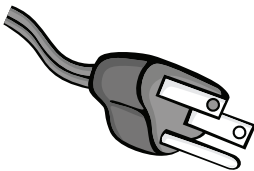
### EXIGENCES ÉLECTRIQUES

En cas de mauvais fonctionnement ou de panne, la mise à la terre fournit un chemin de moindre résistance pour le courant électrique afin de réduire le risque de choc électrique. L'appareil doit être connecté à un cordon doté d'un conducteur de mise à la terre de l'équipement et d'une fiche de mise à la terre. La fiche doit être branchée dans une prise appropriée qui est correctement installée et mise à la terre conformément à tous les codes et ordonnances locaux.

**⚠ DANGER** - Une mauvaise connexion du conducteur de mise à la terre de l'équipement peut entraîner un risque de choc électrique. Le conducteur avec isolation ayant une surface extérieure verte avec ou sans rayures jaunes est le conducteur de mise à la terre de l'équipement. Si la réparation ou le remplacement du cordon ou de la fiche est nécessaire, ne connectez pas le conducteur de mise à la terre de l'équipement à une borne sous tension. Vérifiez auprès d'un électricien ou d'un technicien qualifié si les instructions de mise à la terre ne sont pas complètement comprises, ou en cas de doute quant à savoir si [l'outil/l'appareil] est correctement mis à la terre. Ne modifiez pas la fiche connectée à [l'outil/l'appareil] - si elle ne s'adapte pas à la prise, faites installer une prise appropriée par un électricien qualifié.

POUR [OUTIL/APPAREIL] MISE À LA TERRE, CONNECTÉ À UN CORDON ÉVALUÉ À MOINS DE 15A ET CONÇU POUR UNE UTILISATION SUR UN CIRCUIT D'ALIMENTATION NOMINAL DE 120V

L'appareil est destiné à être utilisé sur un circuit nominal de 120V et doit être connecté à une prise de terre qui ressemble à celle illustrée ci-dessous. L'utilisation d'un adaptateur temporaire n'est pas recommandée.



# CONFIGURATION ET UTILISATION

## ALIMENTATION ÉLECTRIQUE

1. Évitez d'utiliser une rallonge électrique à cause des risques potentiels pour la sécurité dans certaines conditions. Demandez à un électricien ou à un technicien qualifié d'installer une prise à proximité de l'appareil.
2. S'il est absolument nécessaire d'utiliser une rallonge, une extrême prudence doit être exercée.
  - a) Utilisez uniquement une rallonge électrique à 3 fils de type mise à la terre dotée d'une fiche de mise à la terre à 3 broches et d'une prise à 3 fentes qui accepte la fiche de l'appareil.
  - b) La puissance électrique indiquée sur la rallonge doit être égale ou supérieure à la puissance électrique de l'appareil. Le cordon le plus long doit être disposé de façon à ce qu'il ne tombe pas sur le comptoir ou la table où il pourrait être tiré par des enfants ou trébucher dessus par inadvertance.

**REMARQUE:** Ni **BLACK + DECKER** ni le marchand ne peut accepter aucune responsabilité pour les dommages au produit ou les blessures résultant du non-respect des procédures de connexion électrique.

# CONFIGURATION ET UTILISATION

## GUIDE D'INSTALLATION

1. Déballez votre congélateur en enlevant tous les matériaux d'emballage comme le carton, la base, les mousses, le ruban adhésif, etc.
2. Enlevez tous les accessoires, le matériel d'emballage interne utilisé pour maintenir les tablettes, le bac à glace, etc. en place.
3. Nettoyez les restes de tout ruban adhésif utilisé et enlevez tout le matériel imprimé fourni.
4. Installez le congélateur dans un endroit pratique à l'abri de la chaleur et du froid extrêmes. Laissez suffisamment d'espace entre le congélateur et la paroi latérale pour que la ou les portes s'ouvrent sans obstruction. Le congélateur n'est pas conçu pour une installation encastrée.
5. Le plancher sur lequel le congélateur doit être placé doit être plat, dur, solide et uniforme. Le congélateur ne doit pas être placé sur un matériau souple comme mousse, plastique, moquette, etc.
6. Les distances minimales recommandées autour du congélateur sont les suivantes pour une bonne circulation de l'air:  
Côtés:  $\frac{3}{4}$ " (19mm)  
Arrière: 2" (50mm)  
Une bonne circulation d'air aidera votre congélateur à fonctionner avec une efficacité maximale.

**REMARQUE:** L'appareil doit être correctement connecté à l'alimentation électrique.

### ATTENTION

Des précautions doivent être prises lors de la manipulation, du déplacement et de l'utilisation du congélateur pour éviter d'endommager la tuyauterie de réfrigérant ou d'augmenter le risque de fuite.

### AVERTISSEMENT

Il est important de garder le cordon d'alimentation éloigné du compresseur à l'arrière du congélateur car pendant le fonctionnement, le compresseur peut atteindre une température élevée et pourrait endommager gravement le cordon d'alimentation.

# CONFIGURATION ET UTILISATION

## PROTECTION CONTRE LA CHALEUR ET L'HUMIDITÉ

- N'installez pas votre congélateur dans un endroit où l'humidité est importante ou si l'emplacement n'est pas correctement isolé. Ce congélateur n'est pas conçu pour fonctionner à une température inférieure à 55° Fahrenheit.
- L'emplacement du congélateur doit être sur une surface dure et à l'abri de la lumière directe du soleil et des sources de chaleur, par exemple radiateurs, plinthes chauffantes, appareils de cuisson, etc.

## DÉMARRAGE DE VOTRE NOUVEAU CONGÉLATEUR

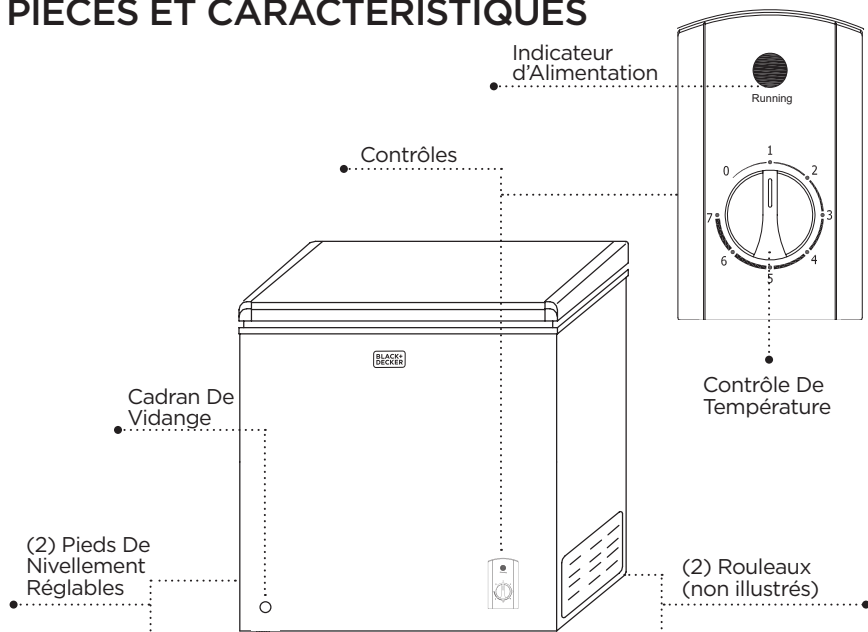
1. Après avoir soigneusement nettoyé votre congélateur, essuyez l'extérieur avec un chiffon doux et sec, l'intérieur avec un chiffon propre et humide.
2. Insérez le cordon d'alimentation dans la prise électrique.
3. Tournez le cadran du thermostat sur un réglage initial de "7" pendant 24 heures, puis réglez le congélateur sur le réglage voulu.

**REMARQUE:** Au fur et à mesure que la porte est enfoncée pendant le transport, le joint peut devoir être réinitialisé. Ceci est fait pour empêcher l'air réfrigéré froid de s'échapper. S'il y a un espace entre le joint de la porte et le boîtier, placez le joint en le tirant doucement hors de l'espace du joint.



# CONFIGURATION ET UTILISATION

## PIÈCES ET CARACTÉRISTIQUES



## MODE D'EMPLOI

### CONTRÔLE DE TEMPÉRATURES

**REMARQUE:** Si le congélateur a été placé en position horizontale ou inclinée pendant un certain temps, attendez 24 heures avant de brancher l'appareil.

- Les réglages du contrôle de température sont "0, 1, 2, 3, 4, 5, 6, 7". Réglez le contrôle de la température sur le réglage qui convient le mieux à vos besoins.
- Tourner la température à la position "0" arrêtera le cycle de refroidissement, mais ne coupera pas l'alimentation électrique de l'unité.

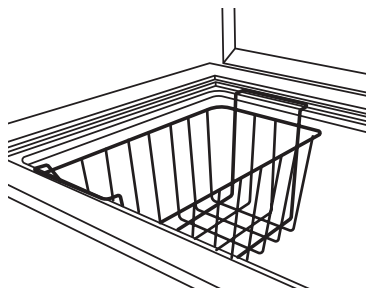
**REMARQUE:**

- Attendez 3 à 5 minutes avant de redémarrer si vous débranchez le congélateur. L'unité peut ne pas fonctionner correctement si elle est redémarrée trop rapidement.
- Si la température ambiante est trop élevée, le congélateur peut ne pas atteindre la température cible voulue.
- De grandes quantités d'aliments réduiront l'efficacité de refroidissement de l'appareil.
- Ne placez pas les aliments sur la sortie d'air et laissez des espaces pour la circulation de l'air.
- Si vous choisissez de modifier le réglage du thermostat, réglez la commande du thermostat un incrément à la fois. Attendez plusieurs heures pour que la température se stabilise entre les réglages.

# CONFIGURATION ET UTILISATION

## RANGEMENT ALIMENTAIRE

- Votre congélateur dispose d'un panier amovible pour mieux ranger et organiser le contenu.



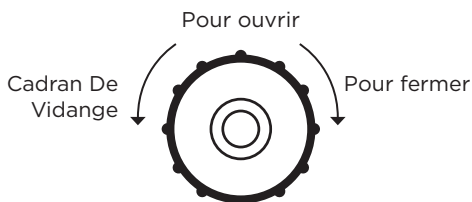
## DÉGIVRAGE & DRAINAGE

- Dégivrer chaque fois que le givre atteint 1/8" d'épaisseur. N'utilisez jamais d'instrument tranchant ou métallique pour enlever le givre car cela pourrait endommager les serpentins de refroidissement.  
**REMARQUE:** Un serpentin perforé annulera la garantie.
- Tournez la commande de température en position OFF et débranchez l'appareil. Enlevez le bouchon de vidange de l'intérieur du congélateur. Le dégivrage prend généralement quelques heures. Pour dégivrer plus rapidement, gardez la porte ouverte.

### ⚠ DANGER

Risque de piégeage des enfants. Éloignez les enfants du congélateur pendant le dégivrage. Laissez les tablettes en place afin que les enfants ne puissent pas facilement grimper à l'intérieur.

- Pour la vidange, placez un plateau sous le cadran de vidange externe. Tournez le cadran de vidange dans le sens antihoraire pour l'enlever (voir fig. ci-dessous). Ceci permettra à l'eau de s'écouler dans le bac. Une fois terminé, remplacez le cadran de vidange et tournez dans le sens horaire pour fermer.
- REMARQUE:** Surveiller le récipient sous le drain pour éviter tout débordement.
- Essuyez l'intérieur du congélateur et remettez la fiche électrique dans la prise électrique.
  - Remettez la commande de température au réglage voulu.



# NETTOYAGE ET ENTRETIEN

## NETTOYAGE ET MAINTENANCE

Le congélateur doit être nettoyé et entretenu une fois par mois. Avant cela, vous devez débrancher le congélateur.

### ⚠ ATTENTION

Pour éviter les blessures ou dommages du produit toujours lire et suivre les instructions et avertissements du fabricant avant d'utiliser des produits de nettoyage.

### ⚠ AVERTISSEMENT

Débranchez toujours votre congélateur avant de le nettoyer pour éviter les chocs électriques. Ignorer cet avertissement peut entraîner la mort ou des blessures.

## INTERRUPTION DE COURANT

En cas d'interruption/panne de courant, débranchez le cordon d'alimentation de la prise murale. Rebranchez le cordon d'alimentation à la prise murale une fois le courant rétabli. En cas de panne de courant prolongée, inspectez et jetez les aliments avariés ou décongelés du congélateur et des compartiments de congélation. Nettoyez soigneusement le congélateur avant de le réutiliser.

## MÉTHODE DE NETTOYAGE

Préparez une solution de nettoyage de 3 à 4 cuillères à soupe de bicarbonate de soude mélangée à de l'eau tiède. Utilisez une éponge ou un chiffon doux, humidifié avec la solution de nettoyage pour essuyer votre congélateur.

- Rincez à l'eau tiède propre et séchez avec un chiffon doux.
- N'utilisez pas de produits chimiques agressifs, d'abrasifs, d'ammoniaque, d'agent de blanchiment au chlore, de détergents concentrés, de solvants ou de tampons à récurer en métal. Certains de ces produits chimiques peuvent dissoudre, endommager et/ou décolorer votre congélateur.

## JOINT DE PORTE

Nettoyez les joints de porte tous les trois mois conformément aux instructions générales. Le joint doit être maintenu propre et souple pour assurer une bonne étanchéité.

- La gelée de pétrole appliquée légèrement sur les côtés charnières des joints gardera le joint souple et assurera une bonne étanchéité.

# NETTOYAGE ET ENTRETIEN

## VACANCES ET DÉMÉNAGEMENT

- Quand vous partez en vacances, il est préférable de vider toute la nourriture de votre congélateur et de votre congélateur. Réglez le cadran de température à "0" et débranchez le congélateur. Nettoyez l'appareil conformément à la "Méthode de Nettoyage" et laissez la porte ouverte pour éliminer toute odeur.

Quand vous voyagez ou déplacez le congélateur, transportez toujours l'unité verticalement. Déplacer l'unité sur ses côtés peut endommager le congélateur et/ou son compresseur.

**⚠ AVERTISSEMENT:** N'ESSAYEZ PAS DE RÉPARER LE CONGÉLATEUR VOUS-MÊME.

## CONSEILS D'ÉCONOMIE D'ÉNERGIE

- Le congélateur doit être situé dans la zone la plus fraîche de la pièce, loin des appareils produisant de la chaleur ou des conduits de chauffage, et à l'abri de la lumière directe du soleil.
- Laissez les aliments chauds refroidir à température ambiante avant de les placer au congélateur. La surcharge du congélateur force le compresseur à fonctionner plus longtemps et donc augmenter la consommation d'énergie. Les aliments qui se réfrigèrent trop lentement peuvent perdre en qualité ou se gâter.
- Assurez-vous d'emballer les aliments correctement et essuyez les contenants avant de les placer dans le congélateur.
- Les tablettes ne doivent pas être recouvertes de papier d'aluminium, de papier ciré ou d'essuie-tout. Ceci interférera avec la circulation de l'air froid, rendant le congélateur moins efficace.

- Organisez la nourriture pour réduire les ouvertures de porte et les recherches prolongées. Enlevez autant d'articles que nécessaire à la fois et fermez la porte dès que possible.

## COMMENT DÉGIVRER

- Dégivrez le compartiment congélateur quand le givre accumulé a une épaisseur d'environ ¼".
- Réglez le sélecteur de température à "0" avant le dégivrage. Enlevez tout le contenu du compartiment congélateur et laissez le couvercle supérieur ouvert jusqu'à ce que la glace et le givre se dissolvent complètement. Assurez-vous que le bac d'égouttage est en place et débranchez l'appareil. Après le dégivrage, videz l'eau du bac d'égouttage et essuyez le compartiment avec un chiffon doux, puis réglez le bouton de réglage de la température sur la position voulue.

### REMARQUE:

- Au cas où vous voudriez accélérer le dégivrage, vous pouvez mettre un bol d'eau tiède (environ 122°F) dans le congélateur.
- Ne chauffez pas l'évaporateur directement avec de l'eau chaude ou un séchoir pendant le dégivrage. Ceci endommagerait le compartiment congélateur.
- N'utilisez jamais d'instrument tranchant ou métallique pour enlever le givre car cela pourrait endommager le congélateur et perforer les serpentins de refroidissement. Ceci annulera également la garantie. Nous vous recommandons d'utiliser un grattoir en plastique.

## DÉPANNAGE ET GARANTIE

### AVANT D'APPELER POUR LE SERVICE

SI LE CONGÉLATEUR NE FONCTIONNE PAS:

- A) Assurez-vous que le congélateur est bien branché. Si ce n'est pas le cas, enlevez la fiche de la prise, attendez 10 secondes et rebranchez-la correctement.
- B) Recherchez un fusible de circuit grillé ou un disjoncteur principal déclenché. S'ils semblent fonctionner correctement, testez la prise avec un autre appareil.

SI AUCUNE DES SOLUTIONS CI-DESSUS NE RÉSOUT LE PROBLÈME, CONTACTEZ UN TECHNICIEN QUALIFIÉ. N'ESSAYEZ PAS DE RÉGLER OU DE RÉPARER LE CONGÉLATEUR VOUS-MÊME.

### SERVICE À LA CLIENTÈLE

## IMPORTANT

#### NE PAS RETOURNER CE PRODUIT AU MAGASIN

Si vous avez un problème avec ce produit, veuillez contacter le Centre de Satisfaction Client BLACK+DECKER au 844-299-0879 ou [service@appliance.com](mailto:service@appliance.com).

**PREUVE D'ACHAT DATÉE, NUMÉRO DE MODÈLE ET NUMÉRO DE SÉRIE REQUIS POUR LE SERVICE DE GARANTIE**

# DÉPANNAGE ET GARANTIE

## DÉPANNAGE

Résolvez votre problème en utilisant le tableau ci-dessous. Si le congélateur ne fonctionne toujours pas correctement, contactez le service client BLACK+DECKER ou le centre de service agréé le plus proche. Les clients ne doivent jamais dépanner les composants internes.

TROUBLE	CAUSE POSSIBLE	RECOURS POSSIBLE
Le congélateur ne fonctionne pas.	<ul style="list-style-type: none"> <li>A. Le congélateur n'est pas allumé.</li> <li>B. L'unité n'est pas branchée ou est lousse.</li> <li>C. Le fusible a sauté ou est défectueux.</li> <li>D. La prise murale est défectueuse.</li> </ul>	<ul style="list-style-type: none"> <li>A. Allumez le cadran de contrôle de la température. Il peut être en position OFF, "0".</li> <li>B. Branchez le congélateur.</li> <li>C. Vérifiez le fusible, remplacez-le si nécessaire.</li> <li>D. A corriger par un électricien qualifié.</li> </ul>
La nourriture est trop chaude.	<ul style="list-style-type: none"> <li>A. La température n'est pas correctement réglée.</li> <li>B. Le couvercle supérieur a été ouvert pendant une période prolongée.</li> <li>C. Une grande quantité d'aliments chauds a été placée dans le congélateur au cours des dernières 24 heures.</li> <li>D. Le congélateur est à proximité d'une source de chaleur.</li> </ul>	<ul style="list-style-type: none"> <li>A. Réglez le cadran de contrôle de la température sur un réglage plus froid.</li> <li>B. N'ouvrez le couvercle supérieur qu'aussi longtemps que nécessaire. Vérifiez le joint de porte pour une bonne étanchéité.</li> <li>C. Réglez temporairement le cadran de contrôle de la température sur un réglage plus froid.</li> <li>D. Veuillez consulter la section "Protection Contre La Chaleur et l'Humidité".</li> </ul>
Forte accumulation de givre, éventuellement aussi sur le joint supérieur du couvercle. <b>REMARQUE:</b> Ceci est normal pendant les périodes de forte humidité. Les ouvertures fréquentes des portes causeront également une forte accumulation de givre.	<ul style="list-style-type: none"> <li>A. Le joint du couvercle supérieur n'est pas étanche à l'air.</li> </ul>	<ul style="list-style-type: none"> <li>A. Réchauffez soigneusement les sections qui fuient du joint du couvercle supérieur avec un séchoir (à température froide). En même temps, façonnez à la main le joint du couvercle supérieur réchauffé de façon à ce qu'il repose correctement.</li> </ul>
Bruits de claquement ou de craquement.	<ul style="list-style-type: none"> <li>A. Quand le compresseur s'allume.</li> </ul>	<ul style="list-style-type: none"> <li>A. Il s'agit d'un bruit normal de liquide de refroidissement circulant dans les serpents du condenseur.</li> </ul>
La porte du congélateur ne ferme pas correctement.	<ul style="list-style-type: none"> <li>A. Obstruction possible par les contenants de nourriture ou paniers.</li> </ul>	<ul style="list-style-type: none"> <li>A. Assurez-vous que rien ne bloque la porte.</li> </ul>
Le congélateur a une odeur.	<ul style="list-style-type: none"> <li>A. Aliments mal scellés.</li> <li>B. L'intérieur a besoin d'être nettoyé.</li> </ul>	<ul style="list-style-type: none"> <li>A. Enlevez tous les aliments contaminés.</li> <li>B. Veuillez vous référer à la section "Nettoyage et Entretien".</li> </ul>

# DÉPANNAGE ET GARANTIE

## GARANTIE LIMITÉE

Toute réparation, remplacement ou service de garantie, et toutes les questions sur ce produit doivent être adressées à BLACK+DECKER au **844-299-0879** des États-Unis ou de Porto Rico.

BLACK+DECKER garantit à l'acheteur d'origine que le produit sera exempt de défauts de matériaux, de pièces et de fabrication pendant la période désignée pour ce produit. La garantie commence le jour de l'achat du produit et couvre jusqu'à une période de **1 an (12 mois) pour la main-d'œuvre / 1 an (12 mois) pour les pièces (défauts de fabrication uniquement)**. BLACK+DECKER accepte de remplacer, à son gré, le produit défectueux par une unité neuve ou réusinée équivalente à votre achat d'origine pendant la période de garantie.

**Exclusions:** Cette garantie ne s'applique pas aux éléments suivants:

1. Si l'apparence ou l'extérieur du produit a été endommagé ou dégradé, altéré ou modifié dans sa conception ou sa construction.
2. Si le numéro de série d'origine du produit a été modifié ou supprimé ou ne peut pas être facilement déterminé.
3. S'il est endommagé en raison d'une surtension, endommagement de l'utilisateur du cordon d'alimentation ou connexion à une source de tension incorrecte.
4. Si les dommages sont dus à une mauvaise utilisation générale, accidents ou catastrophes naturelles.
5. Si des tentatives de réparation sont effectuées par des agents de service non autorisés, l'utilisation de pièces autres que des pièces d'origine ou obtenues auprès de personnes autres que des compagnies de service autorisées.
6. Sur les unités qui ont été transférées du propriétaire d'origine.
7. Sur les produits achetés comme remis à neuf, comme neuf, d'occasion, en conditions "Tel Quel" ou "Vente Finale".
8. Aux produits utilisés dans un cadre commercial ou de location.
9. Aux produits utilisés dans des conditions autres que usage domestique ordinaire ou utilisé autrement que conformément aux instructions fournies.
10. Aux dommages-intérêts pour les appels de service pour installations incorrectes.
11. Frais de transport et d'expédition associés au remplacement de l'unité.
12. Appels de service pour vous expliquer comment utiliser votre produit.
13. Appels de service pour réparer ou remplacer le fusible de la maison, réinitialiser le disjoncteur ou corriger le câblage dans la maison.

LA RÉPARATION OU LE REMPLACEMENT TELS QUE PRÉVUS DANS LA PRÉSENTE GARANTIE SONT LE RECOURS EXCLUSIF DU CLIENT; BLACK+DECKER NE SERA PAS RESPONSABLE DES DOMMAGES ACCESSOIRES OU INDIRECTS POUR LA VIOLATION DE TOUTE GARANTIE EXPRESSE OU IMPLICITE SUR CE PRODUIT, SAUF DANS LA MESURE INTERDITE PAR LA LOI APPLICABLE. TOUTE GARANTIE IMPLICITE DE QUALITÉ MARCHANDE D'ADÉQUATION À UN USAGE PARTICULIER SUR CE PRODUIT EST LIMITÉE À LA DURÉE DE LA GARANTIE.

Certains états n'autorisent pas l'exclusion ou la limitation des dommages accessoires ou indirects, ni la limitation de la durée de la garantie. Dans ces cas, les exclusions ou limitations ci-dessus peuvent ne pas s'appliquer à vous. Cette garantie vous donne des droits légaux spécifiques et vous pouvez également avoir d'autres droits qui varient d'un état à l'autre.

**Obtention Du Service:** Pour obtenir du service, de la documentation sur les produits, des fournitures ou des accessoires, veuillez appeler au **844-299-0879** pour créer un ticket pour échange / réparation. Veuillez vous assurer de fournir la date d'achat, le numéro de modèle et une brève description du problème. Notre représentant du service client vous contactera ou enverra des instructions de retour détaillées.

BLACK+DECKER ne garantit pas que l'appareil fonctionnera correctement dans toutes les conditions environnementales et n'offre aucune garantie ni représentation, implicite ou explicite, en ce qui concerne la qualité, les performances, la qualité marchande ou l'adéquation à un usage particulier autre que celui identifié dans ce manuel d'utilisation. BLACK+DECKER a fait tout son possible pour garantir l'exactitude de ce manuel d'utilisation et décline toute responsabilité en cas d'inexactitudes ou d'omissions éventuelles. Les informations contenues dans ce manuel d'utilisation sont sujettes à modification sans préavis et ne représentent pas un engagement de la part de BLACK+DECKER. BLACK+DECKER se réserve le droit d'apporter des améliorations à ce manuel d'utilisation et / ou aux produits décrits dans ce manuel d'utilisation à tout moment et sans préavis. Si vous trouvez dans ce manuel des informations incorrectes, trompeuses ou incomplètes, veuillez nous contacter au **844-299-0879**.

W Appliance Co.  
1356 Broadway  
New York, NY 10018

BLACK & DECKER, BLACK+DECKER, les logos et noms de produits BLACK & DECKER et

BLACK + DECKER, ainsi que le schéma de couleurs orange et noir sont des marques déposées de The Black & Decker Corporation, utilisées sous licence. Tous droits réservés.

Le produit dans cette boîte peut différer légèrement de celui illustré. N'affecte pas la fonction. Tous les accessoires illustrés en photographie ne sont pas inclus dans cet emballage.

Importé par W Appliance, Inc., 1356 Broadway, New York, NY 10018



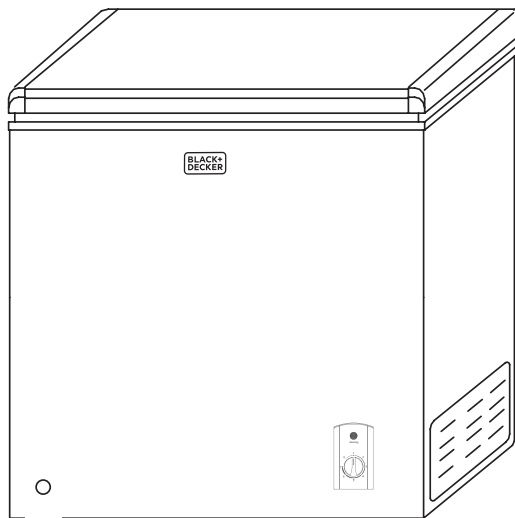
# BLACK+<sup>®</sup> DECKER

## CONGELADOR HORIZONTAL MANUAL DE INSTRUCCIONES

NÚMERO DE CATÁLOGO

**BCFK35, BCFK51, BCFK70**

**BCFK356, BCFK516, BCFK706**



**¡Gracias por elegir BLACK+DECKER!**

**POR FAVOR, LEA ESTE MANUAL ANTES DE DEVOLVER ESTE PRODUCTO POR CUALQUIER MOTIVO.**

Si tiene una pregunta o sufre un problema con su compra de BLACK+DECKER, diríjase a [www.blackanddecker.com/instantanswers](http://www.blackanddecker.com/instantanswers)

Si no puede encontrar la respuesta o no tiene acceso a Internet, llame al 844-299-0879 desde 10:30 a.m. a 6:30 p.m. EST, de lunes a viernes para hablar con un agente. Por favor, tenga el número de catálogo a mano cuando llame.

**GUARDE ESTE MANUAL PARA CONSULTARLO NUEVAMENTE MAS ADELANTE.**

# CONTENIDO

## INFORMACIÓN DE SEGURIDAD

Instrucciones Importantes de Seguridad.....	35-36
Refrigerante.....	36
Instrucciones de Conexión A Tierra.....	37

## CONFIGURACIÓN Y USO

Guía de Instalación.....	39
Puesta en Marcha de Su Nuevo Congelador.....	40
Partes y Características.....	41
Instrucciones de Operación.....	41-42

LIMPIEZA Y CUIDADO.....	43-44
-------------------------	-------

## RESOLUCIÓN DE PROBLEMAS Y GARANTÍA

Antes de Llamar al Servicio Técnico.....	45
Servicio al Cliente.....	45
Solución de problemas.....	45-46
Garantía Limitada.....	47

# REGISTRO DEL PRODUCTO

Gracias por comprar nuestro producto BLACK+DECKER. Este manual fácil de usar le guiará para hacer el mejor uso de su congelador.

Recuerde anotar los números de modelo y de serie. Están en una etiqueta en la parte posterior del producto.

Grape o adjunte su recibo de compra a este manual. Lo necesitará para acceder el servicio de garantía.

\_\_\_\_\_  
Número de modelo

\_\_\_\_\_  
Número de serie

\_\_\_\_\_  
Fecha de compra

# INFORMACIÓN DE SEGURIDAD

## ⚠ PELIGRO

**PELIGRO** - Amenazas inmediatas que resultarán en lesiones personales graves o la muerte

## ⚠ ADVERTENCIA

**ADVERTENCIA** - Peligros o prácticas inseguras que pueden resultar en lesiones personales graves o la muerte

## ⚠ PRECAUCIÓN

**PRECAUCIÓN** - Peligros o prácticas inseguras que PODRÍAN resultar en lesiones personales menores

# INSTRUCCIONES IMPORTANTES DE SEGURIDAD

## ⚠ ADVERTENCIA

Quando utilice electrodomésticos, debe seguir algunas medidas básicas de seguridad, entre las que se incluyen:  
LEA TODAS LAS INSTRUCCIONES ANTES DE USAR LA UNIDAD

**NOTA:** Si el congelador ha sido colocado en una posición horizontal o inclinada por cualquier período de tiempo, espere 24 horas antes de enchufarlo.

1. Use este aparato solamente para su propósito previsto como se describe en esta guía de uso y cuidado.
2. Este congelador debe ser instalado debidamente de acuerdo con las instrucciones de instalación antes de que sea utilizado. Vea las instrucciones de conexión a tierra en la sección de instalación.
3. Nunca desconecte el congelador tirando del cable de alimentación. Siempre tome el enchufe firmemente y tire hacia afuera de la toma.
4. No utilice ningún aparato con un cable o enchufe dañado. Lleve el aparato al taller de servicio técnico autorizado más cercano para examinarlo, repararlo o ajustarlo.
5. Desconecte su congelador antes de limpiarlo o realizar cualquier reparación.  
**NOTA:** Si por alguna razón este producto requiere servicio, le recomendamos encarecidamente que un técnico certificado lo lleve a cabo. Los componentes y partes deberán ser remplazados con componentes afines y el servicio deberá ser llevado a cabo por personal autorizado de la fábrica, para minimizar el riesgo de un posible incendio debido al uso de partes incorrectas o servicio inadecuado.
6. No use ningún aparato eléctrico u objeto corto-punzante para descongelar su congelador.
7. Una vez que su congelador esté en funcionamiento, no toque las superficies frías del compartimiento congelador, particularmente con las manos húmedas o mojadas. La piel puede adherirse a estas superficies extremadamente frías.
8. No vuelva a congelar alimentos que hayan sido descongelados completamente. El Departamento de Agricultura de los Estados Unidos dice en el Home and Garden Bulletin Nro. 69 dice: "Puede volver a congelar con seguridad los alimentos congelados que se han descongelado si todavía contienen cristales de hielo o si todavía están fríos; por debajo de los 40°F.  
"... Las carnes picadas, aves, o peces que hayan sido descongelados y presenten cualquier olor o color extraño no deben ser re-congelados o ingeridos." Los helados descongelados deben ser descartados. Si el olor o color de cualquier alimento es malo o cuestionable, deséchelo. Puede ser peligroso ingerir el alimento. Incluso el descongelamiento parcial y el recongelamiento reducen la calidad de los alimentos, particularmente de las frutas, los vegetales y los

## SAFETY INFORMATION

alimentos preparados. La calidad alimenticia de las carnes rojas se ve menos afectada que la de otros alimentos. Utilice alimentos re-congelados tan pronto como sea posible para preservar tanto como sea posible su calidad alimenticia.”

9. Una vez que su congelador esté en funcionamiento, no toque las superficies frías del compartimiento congelador, particularmente con las manos húmedas o mojadas. La piel puede adherirse a estas superficies extremadamente frías.
10. No use su congelador en la presencia de gases explosivos.

## CONSERVE ESTAS INSTRUCCIONES SOLO PARA USO DOMÉSTICO

### PELIGRO

Riesgo de atrapamiento de niños. Antes de desechar cualquier congelador o refrigerador, retire la(s) puerta(s). Deje los estantes en su lugar para que los niños no puedan meterse dentro.

## REFRIGERANTE



### ADVERTENCIAS SOBRE GASES



**PELIGRO** - Riesgo de incendio o explosión. Se utiliza un refrigerante inflamable. NO utilice aparatos mecánicos para descongelar el refrigerador. NO perfore el tubo del refrigerante.



**PELIGRO** - Riesgo de incendio o explosión. Se utiliza un refrigerante inflamable. puede ser reparado solamente por personal de servicio capacitado. NO perfore el tubo del refrigerante.



**PRECAUCIÓN** - Riesgo de incendio o explosión. Se utiliza un refrigerante inflamable. Consulte el manual de reparación/guía de usuario antes de intentar darle servicio a este producto. Se deben seguir todas las precauciones de seguridad.



**PRECAUCIÓN** - Riesgo de incendio o explosión. Descártese de acuerdo a las regulaciones federales o locales. Se utiliza un refrigerante inflamable.



**PRECAUCIÓN** - Riesgo de incendio o explosión debido a la perforación del tubo del refrigerante; siga las instrucciones de manipulación cuidadosamente. Se utiliza un refrigerante inflamable.

# INFORMACIÓN DE SEGURIDAD

## INSTRUCCIONES DE CONEXIÓN A TIERRA

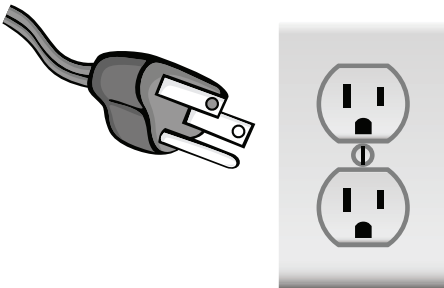
### REQUISITOS ELÉCTRICOS

En caso de falla o avería, la conexión a tierra proporciona una ruta de menor resistencia para la corriente eléctrica para reducir el riesgo de descarga eléctrica. Este aparato debe estar conectado con un cable que posea un conductor de conexión a tierra y enchufe con conexión a tierra. El enchufe debe ser insertado en una toma de corriente que esté instalada y conectada a tierra, cumpliendo todos los códigos y ordenanzas locales.

**⚠ PELIGRO** - Una conexión incorrecta del conductor para la conexión a tierra puede causar una descarga eléctrica. El conductor con aislamiento de color verde con o sin franjas amarillas es el conductor de puesta a tierra del equipo. Si es necesario reparar o reemplazar el cable o el enchufe, no conecte el conductor de puesta a tierra del equipo a un terminal activo. Consulte a un electricista calificado o personal de servicio si las instrucciones de conexión a tierra no se comprenden completamente o si tiene dudas sobre si el electrodoméstico está conectado a tierra correctamente. No modifique el enchufe que viene con el electrodoméstico. Si este no encaja en la toma de corriente, pida a un electricista que instale una toma de corriente adecuada.

PARA ELECTRODOMÉSTICOS CON CONEXIÓN A TIERRA MEDIANTE CABLE CON CONSUMO NOMINAL INFERIOR A 15 AMPERIOS Y DISEÑADOS PARA SU USO EN UNA RED ELÉCTRICA DE 120V NOMINALES

El aparato se debe usar en circuito eléctrico con tensión nominal de 120V y debe estar conectado a una toma con tierra que se parece a la que se ilustra a continuación. No se recomienda el uso de un adaptador inclusive de forma temporal.



# CONFIGURACIÓN Y USO

## CABLE DE ALIMENTACIÓN

1. Evite el uso de un cable de extensión debido a los potenciales riesgos de seguridad bajo ciertas condiciones. Pida a un electricista o técnico calificado que instale una toma de corriente cerca del electrodoméstico.
2. Si fuese absolutamente necesario utilizar un alargue o una regleta, se debe tener cuidado extremo.
  - a) Utilice solamente un cable de extensión con 3 hilos conectado a tierra que tenga un enchufe de tres clavijas conectado a tierra en una toma que acepte el tipo de enchufe del aparato.
  - b) La capacidad eléctrica marcada en el alargue o regleta debe ser igual a, o mayor que, la capacidad eléctrica del aparato. El cable más largo debe estar dispuesto de manera tal que no cuelgue de la mesada o la mesa para evitar que los niños tiren de él o que alguien se tropiece accidentalmente.

**NOTA:** Ni **BLACK + DECKER** ni el distribuidor pueden aceptar ninguna responsabilidad por daños al producto o lesiones personales que resulten del incumplimiento de los procedimientos de conexión eléctrica.

# CONFIGURACIÓN Y USO

## GUÍA DE INSTALACIÓN

1. Desempaque su congelador quitando todo el material de embalaje como cartón, base, espumas, cinta adhesiva, etc.
2. Quite todos los accesorios, material de embalaje interno para sostener los estantes, la bandeja cubitera, etc.
3. Limpie los restos de toda la cinta adhesiva y quite todo el material impreso que se proporciona.
4. Instale el congelador en un lugar conveniente lejos del calor y frío extremos. Deje un espacio suficiente entre el refrigerador y las paredes laterales para que la(s) puerta(s) abran sin obstrucciones. El congelador no está diseñado para su instalación empotrada.
5. El piso donde el congelador ha de ser colocado debe ser plano, duro, sólido y nivelado. El congelador no debe ser colocado sobre ningún material blando como espuma, plástico, etc.
6. Los siguientes son los espacios mínimos recomendados alrededor del congelador para una circulación de aire adecuada:  
Lados:  $\frac{3}{4}$ " (19mm)  
Atrás: 2" (50mm)  
La circulación de aire adecuada ayudará a que su congelador trabaje con la máxima eficiencia.

**NOTA:** El electrodoméstico debe estar correctamente conectado a la fuente de alimentación.

### PRECAUCIÓN

Se debe tener especial cuidado al manipular, mover y usar el congelador para evitar dañar el tubo del refrigerante o incrementar el riesgo de una pérdida.

### ADVERTENCIA

Es importante mantener el cable alejado del compresor en la parte posterior del congelador ya que, durante la operación, el compresor puede alcanzar altas temperaturas que pueden causar daños serios al cable de alimentación.

# CONFIGURACIÓN Y USO

## PROTECCIÓN DEL CALOR Y LA HUMEDAD

- No instale su congelador en ningún lugar donde haya gran humedad o si el lugar no se encuentra debidamente aislado. El refrigerador no ha sido diseñado para operar en temperaturas menores a 55°F (12,8°C).
- La ubicación del refrigerador deberá ser en una superficie dura y alejada de la luz directa del sol y de fuentes de calor, como por ejemplo, radiadores, calentadores, aparatos de cocina, etc.

## PUESTA EN MARCHA DE SU NUEVO CONGELADOR

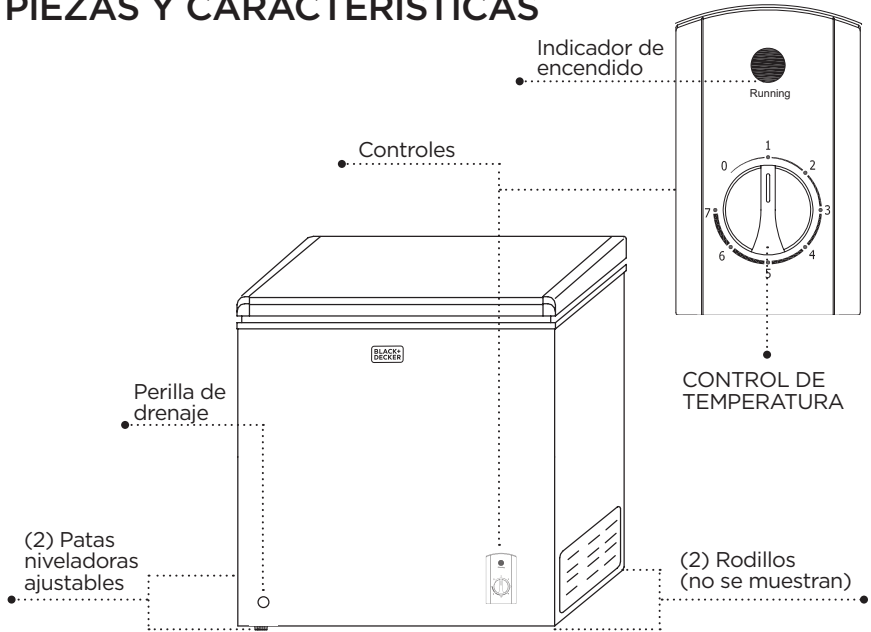
1. Luego de limpiar su congelador a fondo, limpie el exterior con un paño seco y suave, y el interior con un paño limpio y húmedo.
2. Enchufe el cable de alimentación en la toma de corriente.
3. Gire la perilla del termostato a un nivel inicial de "7" durante 24 horas y luego ajuste el congelador al nivel de temperatura deseado.

**NOTA:** Como la puerta es presionada durante el envío, es posible que los burletes tengan que ser ajustados. Esto se hace para evitar que el aire fresco refrigerado se escape. Si hay una brecha entre el burlete de la puerta y el cuerpo del congelador, ajuste el burlete tirando suavemente de él hacia afuera de la brecha.



# CONFIGURACIÓN Y USO

## PIEZAS Y CARACTERÍSTICAS



## INSTRUCCIONES DE OPERACIÓN

### CONTROL DE TEMPERATURA

**NOTA:** Si el congelador ha sido colocado en una posición horizontal o inclinada por cualquier período de tiempo, espere 24 horas antes de enchufarlo.

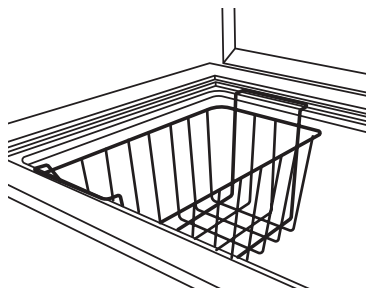
- Los niveles de temperatura son "0, 1, 2, 3, 4, 5, 6, 7". Ajuste el control de temperatura al nivel que mejor se ajuste a sus necesidades.
- Colocar la temperatura en el nivel "0" interrumpirá el ciclo de frío, pero no cortará el suministro eléctrico a la unidad.

- NOTA:**
- Espere de 3 a 5 minutos antes de reiniciarlo si desenchufa el congelador. La unidad puede fallar al operar si es reiniciada muy rápidamente.
  - Si la temperatura ambiente es muy elevada, el congelador puede no llegar a alcanzar la temperatura deseada.
  - Colocar grandes cantidades de alimentos reducirán la eficiencia de enfriamiento del electrodoméstico.
  - No coloque alimentos en la salida de aire y deje espacio para la circulación del mismo.
  - Si decide cambiar el nivel del termostato, ajuste el nivel de a uno a la vez. Permita que la temperatura se establezca por varias horas entre cada ajuste de nivel.

# CONFIGURACIÓN Y USO

## ALMACENAMIENTO DE ALIMENTOS

- Su congelador tiene una canasta extraíble para almacenar y organizar mejor el contenido.



## DESCONGELACIÓN Y DRENAJE

- Descongele siempre que la escarcha alcance  $\frac{1}{8}$ " (3mm) de espesor. Nunca use una herramienta afilada o de metal para remover la escarcha ya que puede dañar las bobinas de enfriamiento.

**NOTA:** A Una bobina perforada anulará la garantía.

- Gire el control de temperatura a la posición OFF y desenchufe la unidad. Retire el tapón de drenaje del interior del congelador. La descongelación generalmente toma algunas horas. Para descongelar más rápido, mantenga la puerta abierta.

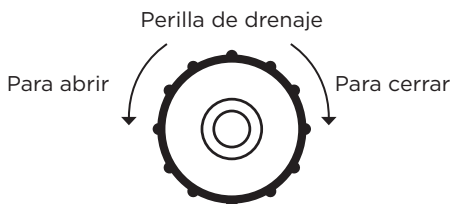
## ⚠ PELIGRO

Riesgo de atrapamiento de niños. Mantenga a los niños alejados del congelador mientras este se descongela. Deje los estantes en su lugar para que los niños no puedan meterse dentro.

- Para drenarlo, coloque una bandeja debajo del desagüe de drenaje externo. Gire el tapón de drenaje en sentido antihorario para retirarlo (vea la figura a continuación). Esto permitirá que el agua fluya hacia la bandeja. Cuando acabe, vuelva a colocar el tapón de drenaje y gírelo en sentido horario.

**NOTA:** Vigile el recipiente debajo del drenaje para evitar su desbordamiento.

- Limpie el interior del congelador y vuelva a enchufar el cable en la toma de corriente.
- Restablezca el control de temperatura a la configuración deseada.



# LIMPIEZA Y CUIDADO

## LIMPIEZA Y MANTENIMIENTO

El congelador debe ser limpiado y mantenido una vez al mes. Antes de hacerlo, debe desenchufar el congelador.

### PRECAUCIÓN

Para evitar lesiones personales o daños al producto, siempre lea y siga las instrucciones y advertencias del fabricante antes de usar cualquier producto de limpieza.

### ADVERTENCIA

Siempre desenchufe su congelador antes de limpiarlo para evitar descargas eléctricas. Ignorar esta advertencia puede provocar la muerte o lesiones.

## INTERRUPCIÓN DEL SUMINISTRO ELÉCTRICO

Ante una interrupción del suministro eléctrico/corte, desconecte el cable de alimentación de la toma en la pared. Reconecte el cable de alimentación a la toma en la pared una vez que se haya restablecido el suministro. Tras períodos largos de interrupción del suministro eléctrico, inspeccione y deseche los alimentos del congelador que se hayan echado a perder o se hayan descongelado. Limpie bien el congelador antes de volver a usarlo.

## MÉTODO DE LIMPIEZA

Prepare una solución de limpieza de 3 o 4 cucharadas de bicarbonato de sodio en agua tibia. Utilice una esponja o paño suave mojado con la solución de limpieza para asear su congelador.

- Enjuague con agua limpia y tibia y seque con un paño seco y suave.
- No use químicos fuertes, abrasivos, amoníaco, lejía, detergentes concentrados, solventes o esponjas de fibras metálicas. Algunos de estos químicos pueden disolver, dañar y/o decolorar su congelador.

## BURLETE DE LA PUERTA

Limpie los burletes de la puerta cada tres meses, de acuerdo a las instrucciones generales. El burlete debe mantenerse limpio y flexible para asegurar un sellado adecuado.

- Aplicar una leve cantidad de vaselina en los lados flexibles del burlete lo mantendrá flexible y asegurará un sellado adecuado.

# LIMPIEZA Y CUIDADO

## CUIDADOS DURANTE VACACIONES Y MUDANZAS

- Cuando se vaya de vacaciones, es mejor que vacíe el congelador por completo. Ajuste el dial de temperatura a “0” y desenchufe el congelador. Limpie el aparato de acuerdo con el “Método de Limpieza” y deje la puerta abierta para quitar cualquier olor.

Cuando traslade o mueva el congelador, siempre transporte la unidad en posición vertical. Colocar la unidad de lado puede dañar el congelador y/o su compresor.

 **ADVERTENCIA:** NO INTENTE REPARAR EL CONGELADOR USTED MISMO.

## CONSEJOS DE AHORRO DE ENERGÍA

- El congelador debe ser colocado en la zona más fresca de la habitación, lejos de cualquier aparato que genere calor y alejado de la luz del sol.
- Permita que las comidas calientes alcancen la temperatura ambiente antes de colocarlas en el congelador. Sobrecargar el congelador obliga al compresor a funcionar por más tiempo y así aumenta el consumo de energía. Los alimentos que se refrigeren muy lentamente pueden perder su calidad o echarse a perder.
- Asegúrese de envolver los alimentos adecuadamente, y seque los contenedores antes de colocarlos en el congelador.
- Los estantes no deben ser cubiertos con papel de aluminio, papel encerado, o toallas de papel. Esto interferirá con la circulación del aire frío, haciendo que el congelador sea menos eficiente.

- Organice su comida para reducir la cantidad de veces que abre y cierra la puerta durante largas búsquedas. Retire tantos artículos como sea necesario de una vez y cierre la puerta lo antes posible.

## CÓMO DESCONGELAR

- Descongele el compartimiento del congelador cuando la escarcha alcance  $\frac{1}{8}$ " o 3 mm de espesor.
- Ajuste el dial de temperatura a “0” antes de descongelar. Quite todos los contenidos del congelador y deje la puerta abierta hasta que el hielo y la escarcha se derritan completamente. Asegúrese de que la bandeja de goteo esté en su lugar y desenchufe la unidad. Luego de descongelar, vacíe el agua de la bandeja de goteo, pase un paño suave y luego coloque el dial de temperatura en el nivel deseado.

**NOTA:** • Si quiere acelerar el descongelamiento, puede colocar un bol con agua tibia (122°F/50°C) en el congelador.

- No caliente el evaporador directamente con agua caliente o un secador de pelo durante el descongelamiento. Hacerlo dañaría el compartimiento del congelador.
- Nunca use una herramienta afilada o de metal para remover la escarcha ya que puede dañar el congelador y perforar las bobinas de enfriamiento. También anulará la garantía. Recomendamos utilizar una espátula de plástico.

# RESOLUCIÓN DE PROBLEMAS Y GARANTÍA

## ANTES DE LLAMAR AL SERVICIO TÉCNICO

SI EL CONGELADOR NO FUNCIONA:

- A) Verifique para asegurarse que el congelador esté enchufado de forma segura. Si no lo está, retire el enchufe de la toma de corriente, espere 10 segundos y vuelva a conectarlo firmemente.
- B) Compruebe si hay algún fusible quemado o un disyuntor disparado. Si éstos funcionan correctamente, pruebe el enchufe con otro electrodoméstico.

SI NINGUNO DE LOS RESULTADOS ANTERIORES RESUELVE EL PROBLEMA, COMUNÍQUESE CON UN TÉCNICO CALIFICADO. NO INTENTE AJUSTAR O REPARAR EL CONGELADOR USTED MISMO.

## SERVICIO AL CLIENTE

# IMPORTANTE

## NO DEVUELVA ESTE PRODUCTO A LA TIENDA

Si tiene un problema con este producto, comuníquese con el Centro de Satisfacción del Cliente de BLACK+DECKER al 844-299-0879 o [service@appliance.com](mailto:service@appliance.com).

UNA PRUEBA DE COMPRA CON FECHA, No. DE MODELO Y No. DE SERIE SON OBLIGATORIOS PARA EL SERVICIO DE GARANTÍA

# RESOLUCIÓN DE PROBLEMAS Y GARANTÍA

## SOLUCIÓN DE PROBLEMAS

Solucionese su problema utilizando el cuadro a continuación. Si el congelador aún no funciona correctamente, comuníquese con el centro de servicio al cliente de BLACK+DECKER o con el centro de servicio autorizado más cercano. Los clientes nunca deben solucionar problemas de componentes internos.

PROBLEMA	CAUSA POSIBLE	SOLUCIÓN POSIBLE
El congelador no funciona.	<ul style="list-style-type: none"> <li>A. El congelador no está encendido.</li> <li>B. El aparato no está enchufado o el enchufe está flojo.</li> <li>C. Se ha quemado un fusible o está defectuoso.</li> <li>D. La toma de corriente está defectuosa.</li> </ul>	<ul style="list-style-type: none"> <li>A. Encienda el control de temperatura. Puede que esté en la posición "0" o OFF.</li> <li>B. Enchufe el congelador.</li> <li>C. Verifique el fusible, rémplacelo de ser necesario.</li> <li>D. A ser corregido por un electricista calificado.</li> </ul>
Los alimentos no están fríos.	<ul style="list-style-type: none"> <li>A. La temperatura no está debidamente ajustada.</li> <li>B. La tapa superior estuvo abierta por un período prolongado.</li> <li>C. Una gran cantidad de alimentos fue colocada en el congelador en las últimas 24 horas.</li> <li>D. El refrigerador está cerca de una fuente de calor.</li> </ul>	<ul style="list-style-type: none"> <li>A. Ajuste el control de temperatura a un nivel menor.</li> <li>B. Abra la puerta solo cuando sea necesario. Compruebe que el burlete de la puerta selle bien.</li> <li>C. Ajuste el control de temperatura a un nivel menor momentáneamente.</li> <li>D. Mire la sección "Protección del calor y la humedad".</li> </ul>
Gran acumulación de escarcha, posiblemente también en los burletes. <b>NOTA:</b> Esto es normal durante los períodos de alta humedad. Abrir la puerta frecuentemente causará gran acumulación de escarcha.	<ul style="list-style-type: none"> <li>A. El burlete de la puerta no está hermético.</li> </ul>	<ul style="list-style-type: none"> <li>A. Caliente cuidadosamente las secciones con pérdidas del burlete con un secador de pelo (en un nivel tibio). Al mismo tiempo, dele forma con la mano al burlete tibio para que se acomode correctamente.</li> </ul>
Ruidos de golpeteo.	<ul style="list-style-type: none"> <li>A. Cuando el compresor se enciende.</li> </ul>	<ul style="list-style-type: none"> <li>A. Este es el sonido normal del refrigerante fluyendo por las bobinas del condensador.</li> </ul>
La puerta del congelador no se cierra correctamente.	<ul style="list-style-type: none"> <li>A. Posible bloqueo a causa de contenedores de comida, cestas, etc..</li> </ul>	<ul style="list-style-type: none"> <li>A. Asegúrese de que nada esté bloqueando la puerta.</li> </ul>
El congelador tiene olor.	<ul style="list-style-type: none"> <li>A. Los alimentos no están debidamente sellados.</li> <li>B. El interior necesita ser limpiado.</li> </ul>	<ul style="list-style-type: none"> <li>A. Quite cualquier alimento contaminado.</li> <li>B. Mire la sección "Limpieza y cuidado".</li> </ul>

# RESOLUCIÓN DE PROBLEMAS Y GARANTÍA

## GARANTÍA LIMITADA

La marca Coby se utiliza bajo licencia. Cualquier reparación, recambio, o servicio de garantía, y todas las preguntas sobre este producto deben ser dirigidas a W Appliance Co. al **844-299-0879** desde EE.UU. o Puerto Rico.

W Appliance Co. garantiza al comprador original que el producto estará libre de defectos de material, piezas y mano de obra durante el período designado para este producto. La garantía comienza el día en el que el producto es comprado y cubre un período de hasta 1 año (12 meses) por la mano de obra/**1 año (12 meses) por las partes (solamente defectos de fabricación)/y un total de 2 años (24 meses) únicamente por el compresor.** W Appliance Co. acuerda que, a su opción, reemplazará el producto defectuoso con uno nuevo o refabricado equivalente a su compra original durante el período de la garantía.

**Exclusiones:** Esta garantía no aplica a lo siguiente:

1. Si la apariencia o el exterior del producto ha sido dañado o desfigurado, alterado o modificado en el diseño o la construcción.
2. Si el número de serie original del producto ha sido alterado o removido o no puede ser determinado fácilmente.
3. Si hay daños debido a sobretensión en la línea eléctrica, daño por parte del usuario al cable de alimentación o conexión a una fuente de voltaje no adecuada.
4. Si el daño se debe a mal uso general, accidentes o actos de Dios.
5. Si existen intentos de reparación por parte de agentes de servicio no autorizados, uso de partes que no sean originales u obtenidas de personas que no sean las compañías de servicio autorizadas.
6. En unidades que han sido transferidas desde el propietario original.
7. A productos que hayan sido comprados como renovados, como nuevos, de segunda mano, en términos de venta final o "como se ve".
8. A productos usados en un entorno comercial o de alquiler.
9. A productos usados en entornos que no sean el doméstico ordinario o usados de otra manera que no sea de acuerdo con las instrucciones brindadas.
10. A los daños por servicios e instalaciones incorrectas.
11. Piezas de vidrio y otros artículos accesorios que se incluyen con el aparato.
12. Costos de transporte y envío asociados con el reemplazo del aparato.
13. Pérdida de alimentos o pérdidas debidas a la falla del producto o una demora en el servicio, reparación o reemplazo.
14. Visitas técnicas para darle instrucciones de cómo usar su producto.
15. Visitas técnicas para reparar o cambiar el fusible de la casa, reiniciar el disyuntor o corregir el cableado de la casa.

LA REPARACIÓN O EL REEMPLAZO SEGÚN LO DISPUESTO BAJO ESTA GARANTÍA ES EL RECURSO EXCLUSIVO DEL CLIENTE; W Appliance Co. NO SERÁ RESPONSABLE POR NINGÚN DAÑO INCIDENTAL O CONSECUCIONAL POR INCUMPLIMIENTO DE CUALQUIER GARANTÍA EXPRESA O IMPLÍCITA DE ESTE PRODUCTO, EXCEPTO EN LA MEDIDA EN QUE LO PROHIBA LA LEY APLICABLE. CUALQUIER GARANTÍA IMPLÍCITA DE COMERCIABILIDAD O IDONEIDAD PARA UN DETERMINADO PROPÓSITO DE ESTE PRODUCTO ESTÁ LIMITADO A LA DURACIÓN DE LA GARANTÍA.

Algunos estados no permiten la exclusión o limitaciones de daños incidentales o consecuentes, o limitaciones en la duración de la garantía. En estos casos, las exclusiones o limitaciones anteriores pueden no aplicarse en su caso. Esta garantía le otorga derechos legales específicos, y también puede tener otros derechos que varían de estado a estado.

**Obtención de servicio:** Para obtener servicio, literatura del producto, suministros y accesorios, por favor llame al **844-299-0879** para crear un ticket de cambio o reparación. Asegúrese de proporcionar la fecha de compra, el número de modelo y una breve descripción del problema. Un representante de nuestro servicio de atención al cliente lo contactará o le enviará instrucciones detalladas para la devolución.

W Appliance Co. no garantiza que el aparato funcionará adecuadamente en todas las condiciones ambientales, y no otorga garantía alguna ni defensa, ya sea implícita o expresada, con respecto a la calidad, desempeño, comerciabilidad, o aptitud para un propósito particular más allá del propósito identificado en este manual de usuario. W Appliance Co. ha hecho todos los esfuerzos posibles para garantizar que este manual del usuario sea preciso y se exime de toda responsabilidad por cualquier inexactitud u omisión que pueda haber ocurrido. La información en este manual del usuario está sujeta a cambios sin previo aviso y no representa un compromiso por parte de W Appliance Co. W Appliance Co. se reserva el derecho de realizar mejoras en este manual del usuario y/o en los productos descritos en este manual del usuario en cualquier momento sin previo aviso. Si encuentra información en este manual que es incorrecta, engañosa o incompleta, comuníquese con nosotros al **844-299-0879**.

W Appliance Co.  
1356 Broadway  
New York, NY 10018

BLACK & DECKER, BLACK+DECKER, y los logos y nombres de productos de BLACK & DECKER y

BLACK + DECKER, los logotipos y nombres de productos y el esquema de color naranja y negro son marcas comerciales de The Black & Decker Corporation, utilizados bajo licencia. Todos los derechos reservados.

El producto en esta caja puede diferir ligeramente del representado en las imágenes. No afecta su función. No todos los accesorios que se muestran en la fotografía están incluidos en este paquete.

Importado por W Appliance, Inc., 1356 Broadway, Nueva York, NY 10018