

# BLACK+<sup>®</sup> DECKER

## COMPACT DISHWASHER

### INSTRUCTION MANUAL

CATALOG NUMBER

**BCD6W**



**Thank you for choosing BLACK+DECKER!**

**PLEASE READ BEFORE RETURNING THIS PRODUCT FOR ANY REASON.**

If you have a question or experience a problem with your BLACK+DECKER purchase, go to [www.blackanddecker.com/instantanswers](http://www.blackanddecker.com/instantanswers)

If you can't find the answer or do not have access to the Internet, call 844-299-0879 from 10:30 a.m. to 6:30 p.m. EST Mon. - Fri. to speak with an agent. Please have the catalog number available when you call.

**SAVE THIS MANUAL FOR FUTURE REFERENCE.**



# CONTENTS

## SAFETY INFORMATION

Important Safety Instructions.....	4-6
Electrical Requirements.....	6

## SET UP & USE

Parts & Features.....	13
Operation & Use .....	14-21

CLEANING & CARE.....	22-25
----------------------	-------

## TROUBLESHOOTING & WARRANTY

Before You Call For Service .....	26
Customer Service.....	26
Troubleshooting.....	27-29
Limited Warranty .....	30

# PRODUCT REGISTRATION

Thank you for purchasing our BLACK+DECKER product. This easy-to-use manual will guide you in getting the best use of your product.

\_\_\_\_\_

Model number

\_\_\_\_\_

Serial number

Remember to record the model and serial numbers. They are on a label on the rear.

\_\_\_\_\_

Date of purchase

Staple your receipt to your manual. You will need it to obtain warranty service.

# SAFETY INFORMATION



## DANGER

**DANGER** - Immediate hazards which **WILL** result in severe personal injury or death



## WARNING

**WARNING** - Hazards or unsafe practices which **COULD** result in severe personal injury or death



## CAUTION

**CAUTION** - Hazards or unsafe practices which **COULD** result in minor personal injury

# IMPORTANT SAFETY INSTRUCTIONS



## WARNING

When using electrical appliances, basic safety precautions should be followed, including the following

1. READ ALL INSTRUCTIONS BEFORE USE
2. Do not abuse, sit on, stand on or place any heavy objects on the door or dish rack of the dishwasher when it is open. The appliance could tip forward.
3. Do not operate your dishwasher unless all enclosure panels are properly in place. Open the door very carefully if the dishwasher is operating, there is a risk of water squirting out.
4. When loading items to be washed:
  - 1) Locate sharp items so that they are not likely to damage the door seal;
  - 2) Warning: Knives and other utensils with sharp points must be loaded in the basket with their points down or placed in a horizontal position.
5. Check that the detergent receptacle is empty after completion of the wash cycle.
6. Use only detergent and rinse additives designed for an automatic dishwasher.
7. Never use soap, laundry detergent, or hand washing detergent in your dishwasher. Keep these products out of the reach of children.
8. Keep children away from detergent and rinse aid. Keep children away from the open door of the dishwasher, there could still be some detergent left inside.
9. This appliance is not intended for use by persons (including children) with reduced physical, sensory or mental capabilities, or lack of experience and knowledge, unless they have been given supervision or instruction concerning use of the appliance by a person responsible for their safety.
10. Children should be supervised to ensure that they do not play with the appliance.

## SAFETY INFORMATION

11. Dishwasher detergents are strongly alkaline, they can be extremely dangerous if swallowed. Avoid contact with skin and eyes and keep children away from the dishwasher when the door is open.
12. The door should not be left in the open position since this could present a tripping hazard.
13. If the supply cord is damaged, it must be replaced by the manufacturer or its service agent or a similarly qualified person in order to avoid a hazard.
14. Remove the door to the washing compartment when removing an old dishwasher from service or discarding it.
15. Please dispose of packing materials properly.
16. Use the dishwasher only for its intended function.
17. During installation, the power supply must not be excessively or dangerously bent or flattened. Do not tamper with controls.
18. The appliance is to be connected to the water mains using new hose sets and that old hose-sets should not be reused.
19. The maximum number of place settings to be washed is 6.
20. The maximum permissible inlet water pressure is 14.5 psi (1 MPa).
21. The minimum permissible inlet water pressure is 5.8 psi (0.04 MPa).
22. Do not use this dishwasher outdoors.
23. This appliance must be properly installed in accordance with the installation instructions before its use.
24. This appliance must be connected to a proper electrical outlet with the correct electrical supply.
25. Disconnect electrical power and water intake hose to dishwasher before cleaning and/or servicing.
26. Under certain conditions, hydrogen gas may be produced in a hot-water system that has not been used for two weeks or more. **HYDROGEN GAS IS EXPLOSIVE.** If the hot-water system has not been used for such a period, before using the dishwasher turn on all hot-water faucets and let the water flow from each for several minutes. This will release any accumulated hydrogen gas. As the gas is flammable, do not smoke or use an open flame during this time.

**SAVE THESE INSTRUCTIONS**  
**HOUSEHOLD USE ONLY**

# SAFETY INFORMATION

## GROUNDING INSTRUCTIONS

### ELECTRICAL REQUIREMENTS

This appliance must be grounded. In the event of a malfunction or breakdown, grounding will reduce the risk of electric shock by providing a path of least resistance for electric current. This appliance is equipped with a cord having an equipment-grounding conductor and a grounding plug. The plug must be plugged into an appropriate outlet that is installed and grounded in accordance with all local codes and ordinances.

### WARNING

Improper connection of the equipment-grounding conductor can result in a risk of electric shock. Check with a qualified electrician or service representative if you are in doubt whether the appliance is properly grounded. Do not modify the plug provided with the appliance, if it will not fit the outlet, have a proper outlet installed by a qualified electrician.

### POWER SUPPLY CORD

1. If the power supply cord is too short, do not use an extension cord. Have a qualified electrician or serviceman install an outlet near the appliance.
2. If it is absolutely necessary to use longer cord sets or an extension cord, extreme care must be exercised.
  - a) The marked electrical rating of the cord set or extension cord must be equal to or greater than the electrical rating of the appliance. The longer cord should be arranged so that it will not drape over the counter top or table top where it can be pulled on by children or tripped over unintentionally.

**NOTE:** Neither BLACK+DECKER nor the dealer can accept any liability for damage to the product or personal injury resulting from failure to observe the electrical connection procedures.

# SET UP & USE

## INSTALLATION INSTRUCTIONS

### **WARNING**


Electrical Shock Hazard - Disconnect electrical power before installing dishwasher.  
Failure to do so can result in death or electric shock.

**CAUTION:** The installation of the pipes and electrical equipment should be done by professionals.

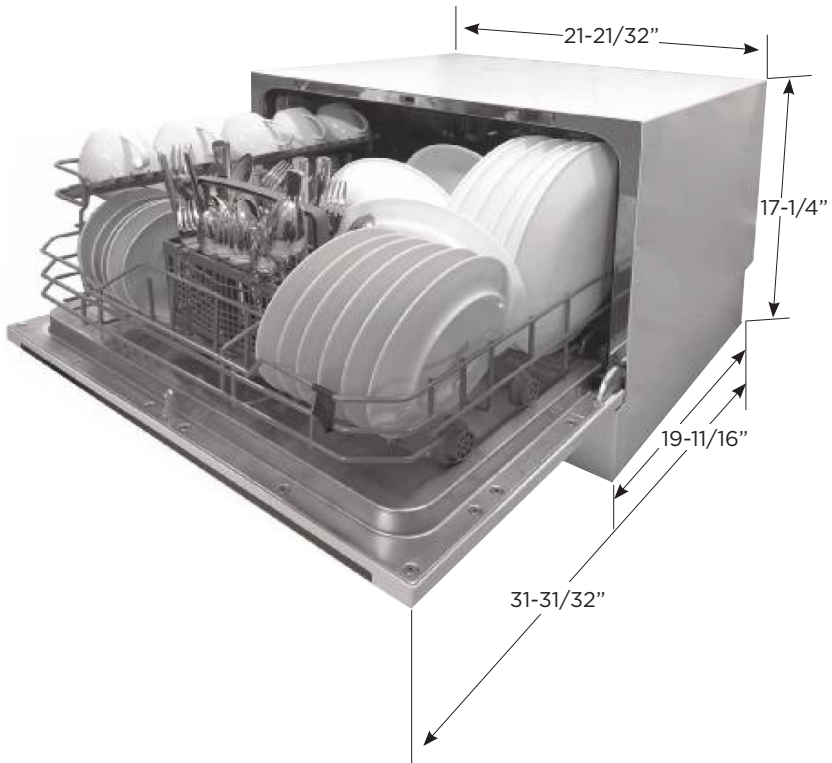
The installation position of dishwasher should be near the existing inlet and drain hoses and power cord.

One side of the cabinet sink should be chosen to facilitate the connection of drain hoses of the dishwasher.

Position the appliance in the desired location. The back should rest against the wall behind it, and the sides, along the adjacent cabinets or wall. The dishwasher is equipped with water supply and drain hoses that can be positioned to the right or the left to facilitate proper installation.

 **WARNING:** DO NOT USE AN EXTENSION CORD OR AN ADAPTER PLUG WITH THIS APPLIANCE.  
DO NOT, UNDER ANY CIRCUMSTANCES, CUT OR REMOVE THE GROUND CONNECTION FROM THE POWER CORD.

# SET UP & USE



Height	17-1/4" (43.8 cm)
Width	21-21/32" (55 cm)
Depth	19-11/16" (50 cm)
Voltage connected load	See Rating Label
Water pressure	5.8 psi - 14.5 psi (0.04 MPa - 1.0 MPa)
Hot water connection	should be 120°
Power supply	See Rating Label
Capacity	6 place settings



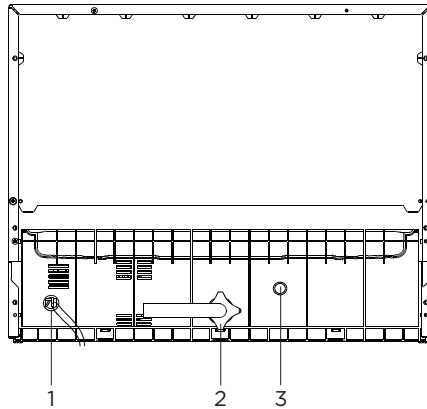
# SET UP & USE

## WATER CONNECTION

Your dishwasher comes equipped with a 'quick connect' assembly (includes inlet and drain hose). The faucet adapter must be installed on the faucet before you can connect the dishwasher. This adapter is included inside your dishwasher. The faucet adapter is compatible with faucets inclusive of either male (outside) or female (inside) threaded faucet connections.

Rear of Dishwasher

1. Power cord
2. Inlet port
3. Drain port



# SET UP & USE

## QUICK CONNECT ASSEMBLY

### Drain Hose:

1. Drain port connection
2. Quick connect connection

### Inlet Hose:

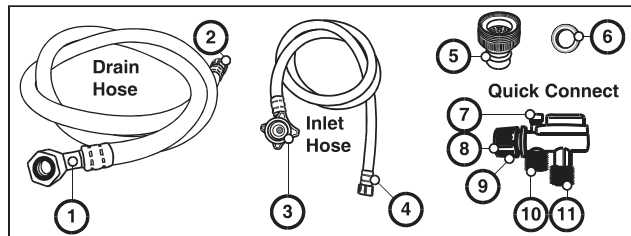
3. Inlet port connection
4. Quick connect connection

### Faucet Adapter

5. Faucet adapter
6. Faucet washer

### Quick Connect

7. Pressure relief valve
8. Faucet adapter connection
9. Locking collar
10. Inlet hose connection
11. Drain hose connection



## WARNING

In order to avoid water staying in the inlet hose, please close the faucet after using.

1. Screw the faucet adapter onto (or into) the faucet tap. Check for leaks (use Teflon tape to eliminate if necessary).
2. Connect the six-sided connection of the drain hose to the drain port connection on the back of the dishwasher cabinet. Do not over-tighten (to avoid damage to threads).
3. Connect the star-shaped connection of the inlet hose to the inlet port on the back of the dishwasher cabinet. Do not over-tighten (to avoid damage to threads).
4. Connect the circular connection of the drain hose onto the longer (bottom) male connection on the quick connect.
5. Connect the circular connection of the inlet hose onto the shorter (top) male connection on the quick connect.
6. Attach the quick connect onto the faucet adapter, by pulling down the outer locking collar on the quick connect, while pushing the quick connect upward onto the faucet adapter.
7. When the quick connect snaps onto the faucet adapter, release the locking collar. Verify the connection is secure.
8. Slowly open the hot water line and check for any sign of water leaks at all hose connections. If leaks are located, immediately close the water supply and repair the hose connections.

# SET UP & USE

## IMPORTANT!

1. Once you open the water supply line, (even if it is closed immediately thereafter), the inlet hose will be pressurized.
2. To relieve water pressure from inside the inlet hose, (make sure the water line (faucet) is closed): press and hold the red pressure relief button on the quick connect until the flow of water stops.

## WARNING

FAILURE TO RELIEVE WATER PRESSURE, BEFORE DISCONNECTING THE QUICK-CONNECT FROM THE FAUCET, WILL RESULT IN BACK-PRESSURE OVER-SPRAY. THE TEMPERATURE OF INCOMING WATER CAN BE VERY HOT, AND BACK-PRESSURE OVER-SPRAY COULD CAUSE SEVERE BURNS AND/OR SCALDING.

## DANGER

DO NOT LET CHILDREN DISCONNECT THE DISHWASHER; CLOSE SUPERVISION OF CHILDREN IS ALWAYS IMPORTANT AROUND APPLIANCES.

**NOTE:** Hard water conditions will adversely affect the washing performance of your dishwasher. Hard water conditions will also contribute to 'lime' (white film substance) deposits and/or 'scaling' on the stainless steel surface of the dishwasher tub and heater element, located in the sump underneath the removable filter screen. To assist in minimizing these conditions, it is recommended to periodically operate/rinse the inside of the dishwasher (empty) using 1 cup of white vinegar at least once a week.

## DISCONNECTING YOUR DISHWASHER

1. Shut off the water supply at the faucet.
2. Disconnect the power supply cord.

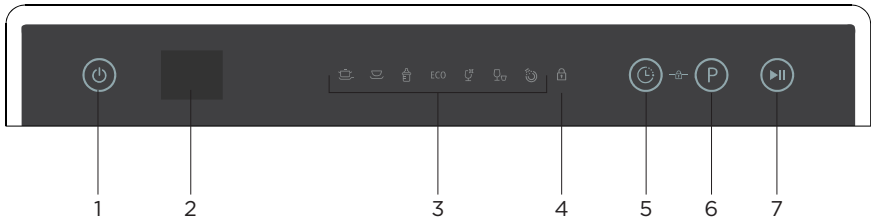
## START OF DISHWASHER

The following things should be checked before starting the dishwasher:

1. The dishwasher is level and fixed properly.
2. The inlet valve is open.
3. There is no leakage at the connections of the conducts.
4. The wires are tightly connected.
5. The power is switched on.
6. The inlet and drain hoses are unknotted.
7. All packing materials and printings should be taken out from the dishwasher.

# SET UP & USE

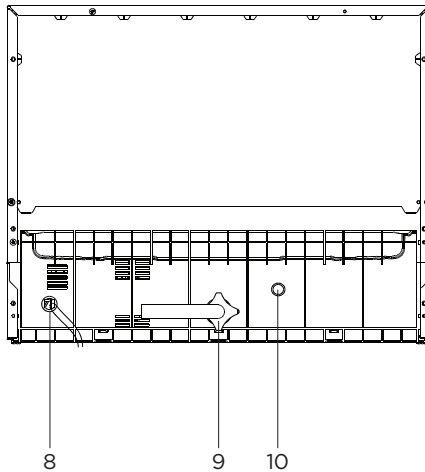
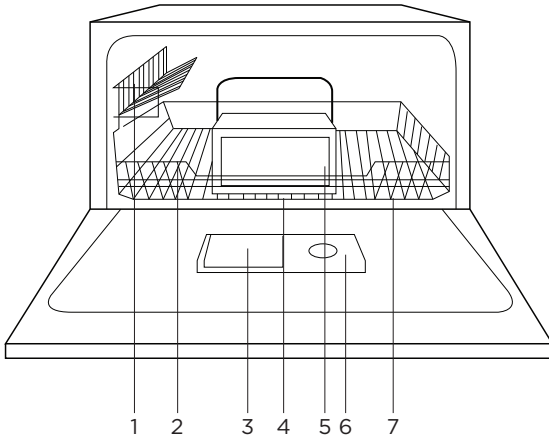
## CONTROL PANEL



1. Power Button: Turns the machine ON/OFF.
2. Display: Indicates delay time, rinse-aid warming and Error codes.
3. Program indicator lights: Identifies the selected program.
4. Child lock indicator light: Press Delay Button and Washing Program Selector Button at the same time to activate.
5. Delay Button: Press the button to delay the washing time.
6. Washing Program Selector: Press the button to select a washing program.
7. Start/Pause Button: Press this button to start or pause the dishwasher.

# SET UP & USE

## PARTS AND FEATURES



1. Cup shelf
2. Basket
3. Detergent dispenser
4. Filter assembly
5. Cutlery basket

6. Rinse aid dispenser
7. Spray arms
8. Power cord
9. Inlet pipe connector
10. Drain pipe connector

# SET UP & USE

## RINSE AID DISPENSER

The rinse aid is released during the final rinse to prevent water from forming droplets that can leave spots and streaks on your dishes. It also improves drying by allowing water to sheathe off the dishes. Your dishwasher is designed to use liquid rinse aids. The rinse aid dispenser is located inside the door next to the detergent dispenser. To fill the dispenser, open the cap and pour the rinse aid into the dispenser until the level indicator turns completely black. The volume of the rinse aid container is about 110ml.


## FUNCTION OF RINSE AID

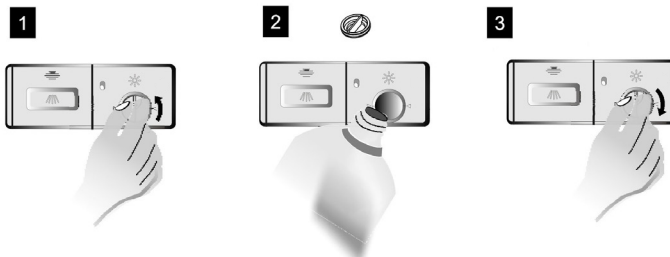
Rinse aid is automatically added during the last rinse, ensuring thorough rinsing, and spot and streak free drying.

## ATTENTION!

Only use branded rinse aid for dishwasher. Never fill the rinse aid dispenser with any other substances. (e.g. Dishwasher cleaning agent, liquid detergent). This would damage the appliance.

## WHEN TO REFILL THE RINSE AID DISPENSER

Add rinse aid into the dispenser, when the rinse aid symbol  is illuminated on the LED Display.



1. To open the dispenser, turn the cap to the “open” (left) arrow and lift it out.
2. Pour the rinse aid into the dispenser, being careful not to overfill.
3. Replace the cap by inserting it aligned with “open” arrow and turning it to the closed (right) arrow.

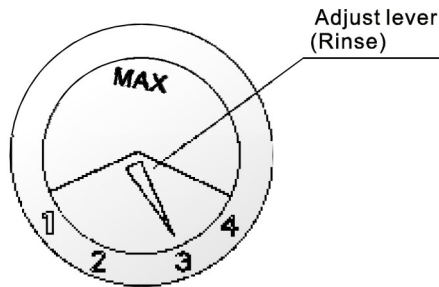
**NOTE:** Clean up any rinse aid spilled during filling with an absorbent cloth to avoid excessive foaming during the next wash. Do not forget to replace the cap before you close dishwasher door.

# SET UP & USE

## ADJUSTING RINSE AID DISPENSER

The rinse aid dispenser has four settings. The recommended setting is on “3”. If the dishes still are not drying properly or are spotted, adjust the dial to the next higher number on “4”.

**NOTE:** Increase the dose if there are drops of water or lime spots on the dishes after washing. Reduce it if there are sticky whitish stains on your dishes or a bluish film on glassware or knife blades.



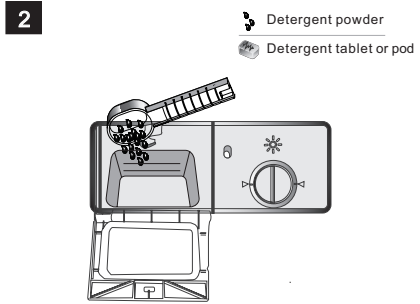
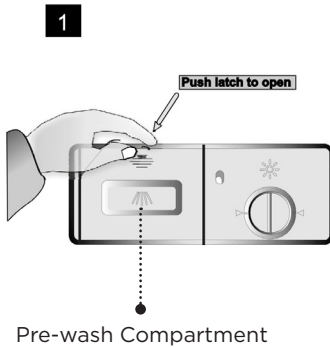
## DETERGENT DISPENSER

The dispenser must be refilled before the start of each wash cycle following the instructions provided in the Wash Cycle Table. Your dishwasher uses less detergent and rinse aid than a conventional dishwasher. Always add the detergent just before starting the dishwasher, otherwise it could get damp and will not dissolve properly.

# SET UP & USE

## USING THE DETERGENT DISPENSER

**NOTE:** If the lid is closed: press release button. The lid springs open.  
Always add the detergent just before starting each wash cycle.  
Only use branded detergent for dishwasher.



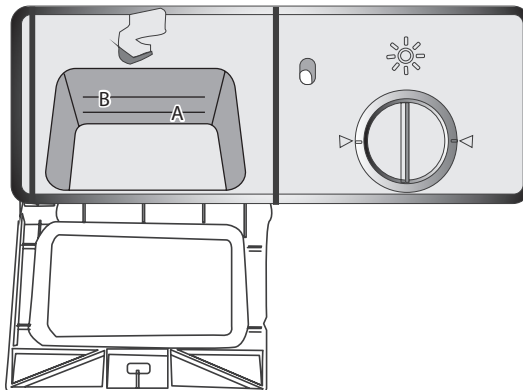
A detergent tablet or pod can be used in the detergent dispenser. If using powdered detergent, use the below guidelines as reference.

A: Fill detergent to the lower fill line A. (15 grams) for lightly soiled dishes such as glassware.

B: For a normal soil level fill to the MAX fill line B (25 grams)

Close the lid and press until it locks in place.

If the dishes are heavily soiled, place additional detergent in the pre-wash detergent compartment. This detergent will take effect during the pre-wash phase.





# SET UP & USE

## LOADING THE DISHWASHER BASKETS

### RECOMMENDATIONS

1. Consider buying utensils which are identified as dishwasher-proof.
2. Use a mild dishwasher detergent and detergents listed as 'kind to dishes'. If necessary, seek further information from detergent manufacturers.
3. For particular items, select a program with a low temperature.
4. To prevent damage, do not take glass and cutlery out of the dishwasher immediately after the program has ended.

### USE DISHWASHER FOR CLEANING THE FOLLOWING ITEMS:

#### SUITABLE

- Cutlery with wooden, horn, china or mother-of-pearl handles
- Plastic items that are not heat resistant
- Older cutlery with glued parts that are not temperature resistant
- Bonded cutlery items or dishes
- Pewter or copper items
- Crystal glass
- Steel items subject to rusting
- Wooden platters
- Items made from synthetic fibres

#### LIMITED SUITABILITY

- Some types of glasses can become dull after a large number of washes
- Silver and aluminum parts have a tendency to discolor during washing
- Glazed patterns may fade if machine washed frequently

### ATTENTION BEFORE OR AFTER LOADING THE DISHWASHER BASKETS

Scrape off any large amounts of leftover food. Soften remnants of burnt food in pans. It is not necessary to rinse the dishes under running water.

Place objects in the dishwasher in following way:

1. Items such as cups, glasses, pots/pans, etc. are face down.
2. Curved items, or those with recesses, should be loaded at a slant so that water can run off.
3. All utensils are stacked securely and can not tip over.
4. All utensils are placed in the way that the spray arms can rotate freely during washing.

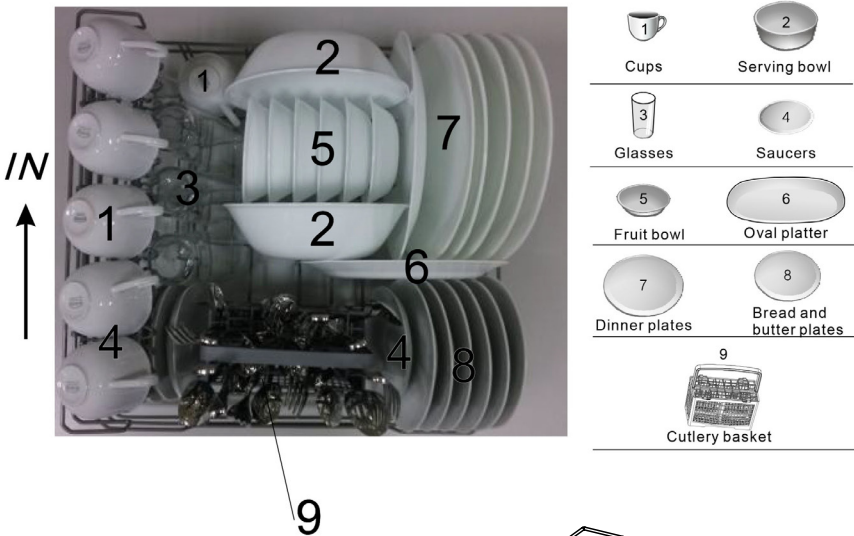
**NOTE:** Very small items should not be washed in the dishwasher as they could easily fall out of the basket.

# SET UP & USE

- Load hollow items such as cups, glasses, pans etc. with the opening downwards so that water cannot collect in the container or a deep base.
- Dishes and items of cutlery must not lie inside one another, or cover each other.
- To avoid damage to glasses, they must not touch.
- Load large items which are most difficult to clean into the basket.
- Long bladed knives stored in an upright position are a potential hazard!
- Long and/or sharp items of cutlery such as carving knives must be positioned horizontally in the basket.
- To ensure best results and reasonable energy consumption, do not overload dishwasher.

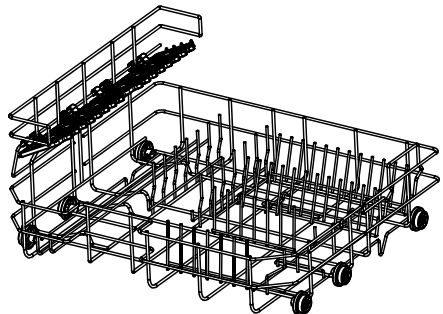
## LOADING THE BASKET

Position the dishes and cookware so that they will not get moved by the spray of water. Below is the suggested loading pattern.



### PLATE RACKS OF BASKET

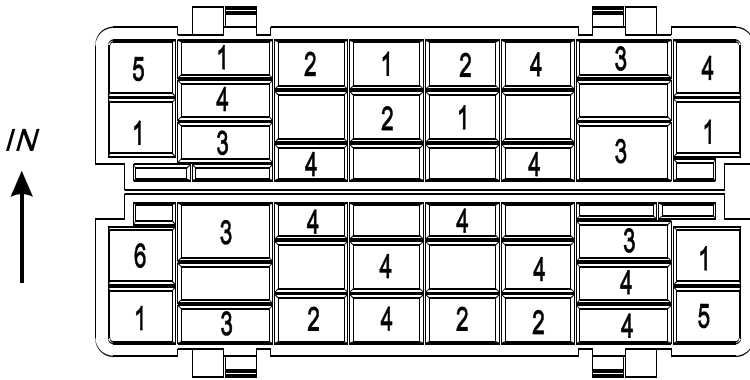
The basket is fitted with plate racks which can be stowed horizontal if required.



# SET UP & USE

## CUTLERY BASKET

Cutlery should be placed in the cutlery basket with handles at the bottom. If the rack has side baskets, the spoon should be loaded individually into the appropriate slots, especially long utensils should be placed in the horizontal position at the front of the upper basket as shown.



- |   |                |  |
|---|----------------|--|
| 1 | Dinner forks   |  |
| 2 | Salad forks    |  |
| 3 | Knives         |  |
| 4 | Teaspoons      |  |
| 5 | Serving spoons |  |
| 6 | Serving forks  |  |







## WARNING

DO NOT LET ANY ITEM EXTEND THROUGH BOTTOM.  
ALWAYS LOAD SHARP UTENSILS WITH THE SHARP POINT DOWN!



# SET UP & USE

## WASH CYCLE TABLE

Program	Cycle Selection Information	Description of Cycle	Detergent pre/main	Running time(min)	Energy (Kwh)	Water (l)	Rinse Aid
 Heavy	For the heaviest soiled loads, such as pots, pans, casserole dishes and dishes that have been sitting with dried food on them for a while.	Pre-wash Pre-wash(50" ) Wash (55" ) Wash (50" ) Rinse Rinse (68" ) Drying	0.635 oz (18g)	100	0.49	12.5	★
 Normal <small>(*AHAM DW-1-2005 )</small>	For normally soiled loads, such as pots, plates, glasses and lightly soiled pans. standard daily cycle.	Pre-wash Pre-wash Wash (52" ) Rinse Rinse (65" ) Drying	0.635 oz (18g)	110	0.36	10.8	★
 BabyCare	For lightly soiled loads, such as glasses, crystal and fine china	Pre-wash Pre-wash (50" ) Wash (55" ) Rinse Rinse Rinse(70" ) Drying	0.635 oz (18g)	90	0.51	12.5	★
ECO ECO	For lightly soiled loads, such as glasses, crystal and fine china.	Pre-Wash Pre-Wash(50" ) Wash(50" ) Rinse Rinse(60" ) Drying	0.635 oz (18g)	75	0.27	10	★
 Glass	For lightly soiled crockery and glass.	Pre-Wash Wash(50" ) Rinse Rinse(60" ) Drying	0.53002 oz (15g)	70	0.28	8.5	★
 Speed	A shorter wash for lightly soiled loads that do not need drying.	Pre-wash Pre-wash(50" ) Wash (50" ) Rinse Rinse(55" )	0.53002 oz (15g)	45	0.31	10.5	★
 Rinse	Use for rinsing dishes# glasses and silverware that will not be wash right away.	Pre-wash Main-wash	/	24	0.03	4.3	

## TURNING ON THE APPLIANCE

Starting a wash cycle.

1. Draw out the basket (see the section entitled Loading the Dishwasher).
2. Pour in the detergent (see the section entitled Detergent and Rinse Aid).
3. Insert the plug into the socket. The power supply is 120V/60 Hz.
4. Make sure that the water supply is turned on to full pressure.
5. Close the door and press the button on/off to turn on the power supply.
6. Press the program button to select wash program you need:  
Heavy->Normal->BabyCare->ECO->Glass->Speed->Rinse->Mini-party
7. Then press the Start/Pause button, the dishwasher begins to start.

**NOTE:** When you press the Start/Pause button to pause during washing, the display time will stop blinking and the program will pause and remain this cycle till you restart it again.

# SET UP & USE

## CHANGE THE PROGRAM

You can modify the washing program when the dishwasher runs for a short time. Otherwise, the detergent may have already been released, and the appliance may have already drained the wash water. If this is the case, the detergent dispenser must be refilled (see the section entitled "Loading the Detergent").

To change the washing program, press the program button more than three seconds the machine will be in stand by state, then you can change the program to the desired cycle setting (see the section entitled "Starting a wash cycle")

**NOTE:** If you open the door when washing, the machine will pause. When you close the door, you need press start/pause button to restart the machine.

## FORGOT TO ADD A DISH

A forgotten dish can be added any time before the detergent cup opens.

1. Press the start/pause button.
2. Open the door a little to stop the washing.
3. After the spray arms stop working, you can open the door completely.
4. Add dishes.
5. Close the door.
6. Press the start/pause button, the dishwasher will run after 10 seconds.

## AT THE END OF THE WASH CYCLE

When the working cycle has finished, the buzzer of dishwasher will sound 8 seconds, then stop. Turn off the appliance using the ON/OFF button, shut off the water supply and open the door of the dishwasher. Wait a few minutes before unloading the dishwasher to avoid handling the dishes and utensils while they are still hot and more susceptible to breakage. They will also dry better. Since the appliance is standing by, it will power off automatically after 30 minutes without any operation.

### Switch Off the Dishwasher


All the phase lights are off, only in this case, the program has ended.

1. Switch off the dishwasher by pressing the ON/OFF button.
2. Turn off the water tap!
3. **Allow time for your dishes to dry before opening the door.**

**Condensing Drying Method** Your dishwasher uses a non-vented drying method. After the final rinse the water is pumped out and the unit shuts off. The remaining water on the hot dishes will eventually evaporate, condense and run off into the bottom of the unit. To ensure that your dishes dry well, it is highly recommended that a rinse aid be used. Be advised that items such as cups and glasses, which have a concave bottom, may retain droplets of water.

**Open the door carefully** Hot dishes are sensitive to knocks. The dishes should therefore be allowed to cool down around 15 minutes before removing from the appliance. Open the dishwasher's door, leave it ajar and wait a few minutes before removing the dishes. By doing this, the contents will be cooler and easier to dry.

**Unloading the dishwasher** It is normal that the dishwasher is wet inside.

 **WARNING:** Due to scalding hot water temperatures, it is dangerous to open the door during operation.

# CLEANING & CARE

## FILTERING SYSTEM

The filter prevents larger remnants of food or other objects from getting inside the pump.

The filter system consists of a coarse filter, a flat (Main filter) and a micro filter (fine filter).

### A. Main Filter

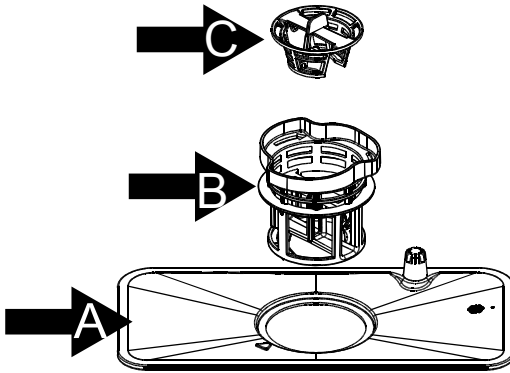
Food and soil particles trapped by this filter are pulverized by a special jet on the spray arm and washed down to drain.

### B. Fine Filter

This filter holds soil and food residue in the sump area and prevents it from being deposited on the dishes during wash cycle.

### C. Coarse Filter

Larger items, such as pieces of bone or glass, that could block the drain are trapped in the coarse filter. To remove the items caught by the filter, gently squeeze the tap on the top of this filter and lift out.



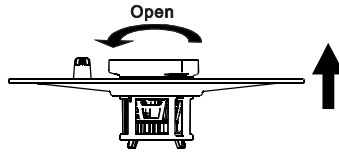
## FILTER ASSEMBLY

The filter efficiently removes food particles from the wash water, allowing it to be recycled during the cycle. For best performance and results, the filter assembly must be cleaned regularly. For this reason, it is a good idea to remove the larger food particles trapped in the filter after each wash cycle by rinsing the filter and cup under running water. To remove the filter assembly, pull on the cup handle in an upward direction.

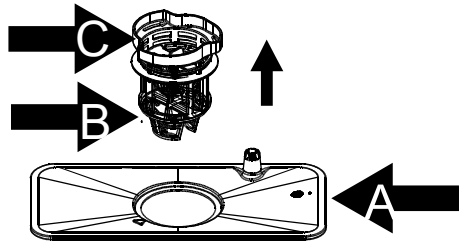
# CLEANING & CARE

**⚠ WARNING:** Never run the dishwasher without the filters in place. The dishwasher must never be used without the filters. Improper replacement of the filter may reduce the performance level of the appliance and damage dishes and utensils.

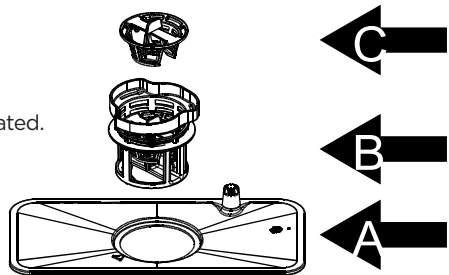
**STEP 1:** Rotate the filter assembly (A, B and C) counterclockwise, then lift it up.



**STEP 2:** lift B and C up from A.



**STEP 3:** All filters should now be separated. Reverse the steps after cleaning to reinstall filters.



**NOTE:** Inspect the filters for blockage every time the dishwasher has been used by unscrewing the coarse filter. You can remove the filter system. Remove any food remnants and clean the filters under running water.

**NOTE:** The entire filter assembly should be cleaned once a week.

# CLEANING & CARE

## CLEANING THE FILTER

To clean the coarse filter and the fine filter, use a cleaning brush. Reassemble the filter parts as shown in the figures in the previous page and reinsert the entire assembly in the dishwasher, positioning in its seat and pressing downward.

**⚠ WARNING:** When cleaning the filters, don't knock on them. Otherwise, the filters could be contorted and the performance of dishwasher could be debased.

## CARING FOR THE DISHWASHER

The control panel can be cleaned by using a lightly dampened cloth and dry thoroughly.

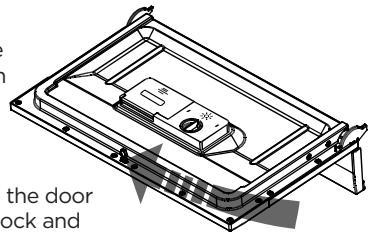
For the exterior, use a good appliance polish wax.

Never use sharp objects, scouring pads or harsh cleaners on any part of the dishwasher.

## CLEANING THE DOOR

To clean the edge around the door, you should use only a soft warm, damp cloth. To avoid penetration of water into the door lock and electrical components, do not use a spray cleaner of any kind.

**⚠ WARNING:** Never use a spray cleaner to clean the door panel as it may damage the door lock and electrical components. Abrasive agent or paper towel should not be used because of the risk of scratching or leaving spots on the stainless steel surface.



## PROTECT AGAINST FREEZING

Please take frost protection measures on dishwasher in winter. Each time after washing cycles, please operate as follows:

1. Cut off electrical power to the dishwasher.
2. Turn off the water supply and disconnect the water inlet pipe from the water valve.
3. Drain water from the inlet pipe and water valve. (Use a pan to catch the water)
4. Reconnect the water inlet pipe to the water valve.
5. Remove the filter at the bottom of the tub and use a sponge to soak up water in sump.

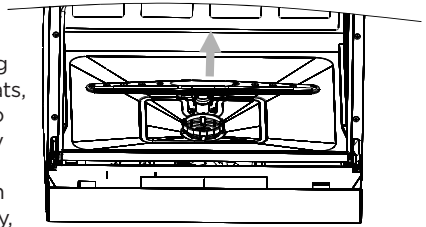
**NOTE:** If your dishwasher cannot work because of the ice, please contact professional servicemen.



## CLEANING & CARE

### CLEANING THE SPRAY ARMS

The spray arms can be easily removed for periodic cleaning of the nozzles, to prevent possible clogging. Wash them under running water and carefully replace them in their seats, checking that their rotary movement is in no way impeded. Grasp the middle of the spray arm, pull it upwards to remove it. Wash the arms under a jet of running water and return them carefully to their seat. After reassembly, check that the spray arms turn freely. Otherwise, check that they have been installed correctly.



### TO MAINTAIN OPTIMAL PERFORMANCE

- After every wash, turn off the water supply to the appliance and leave the door slightly open so that moisture and odors are not trapped inside.
- Before cleaning or performing maintenance, always remove the plug from the socket.
- To clean the exterior and rubber parts of the dishwasher, do not use solvents or abrasive cleaning products. Only use a cloth with warm soapy water. To remove spots or stains from the surface of the interior, use a cloth dampened with water and a little vinegar, or a cleaning product made specifically for dishwashers.
- It is recommended that you run a wash cycle with the dishwasher empty and then remove the plug from the socket, turn off the water supply and leave the door of the appliance slightly open. This will help the door seals to last longer and prevent odors from forming within the appliance.
- If the appliance must be moved, try to keep it in the vertical position. If absolutely necessary, it can be positioned on its back.
- One of the factors that cause odors to form in the dishwasher is food that remains trapped in the seals. Periodic cleaning with a damp sponge will prevent this from occurring.

# TROUBLESHOOTING & WARRANTY

## BEFORE YOU CALL FOR SERVICE

IF THE APPLIANCE FAILS TO OPERATE:

- A) Check to make sure that the appliance is plugged in securely. If it is not, remove the plug from the outlet, wait 10 seconds and plug it in again securely.
- B) Check for a blown circuit fuse or a tripped main circuit breaker. If these seem to be operating properly, test the outlet with another appliance.

IF NONE OF THE ABOVE SOLVES THE PROBLEM, CONTACT A QUALIFIED TECHNICIAN. DO NOT TRY TO ADJUST OR REPAIR THE APPLIANCE YOURSELF.

## IMPORTANT

### DO NOT RETURN THIS PRODUCT TO THE STORE

If you have a problem with this product, please contact the W Appliance Co. Customer Satisfaction Center at 844-299-0879 or [service@appliance.com](mailto:service@appliance.com).

**DATED PROOF OF PURCHASE, MODEL # AND SERIAL #  
REQUIRED FOR WARRANTY SERVICE**

# TROUBLESHOOTING & WARRANTY

Troubleshoot your problem by using the chart below. If the appliance still does not work properly, contact W Appliance Co. customer service center or the nearest authorized service center. Customers must never troubleshoot internal components.

TROUBLE	POSSIBLE CAUSE	POSSIBLE REMEDY
Dishwasher doesn't start	Fuse blown, or the circuit breaker tripped.	Replace fuse or reset circuit breaker. Remove any other appliances sharing the same circuit with the dishwasher
	Power supply is not turned on.	Make sure the dishwasher is turned on and the door is closed securely. Make sure the power cord is properly plugged into the wall socket.
	Door of dishwasher not properly closed.	Closed dishwasher making sure that door latches.
Water not pumped from dishwasher	Kink in drain hose.	Check drain hose.
	Filter clogged.	Check the coarse filter.
	Kitchen sink clogged.	Check kitchen sink to make sure it is draining well. If problem is kitchen sink not draining, you may need a plumber rather than a serviceman for dishwasher.
Suds in the tub	Improper detergent	Use only the special dishwasher detergent to avoid suds. If this occurs, open the dishwasher and let suds evaporate. Add 1 gallon of cold water to the tub. Close and latch the dishwasher, then Start the "soak" wash cycle to drain out the water . Repeat if necessary.
	Spilled rinse-aid	Always wipe up rinse-aid spills immediately.
Stained tub interior	Detergent with colorant or dye was used.	Make sure that the detergent is the one without colorant or dye.
White film on inside surface	Hard water minerals	To clean the interior, use a damp sponge with dishwasher detergent and wear rubber gloves. Never use any other cleaner than dishwasher detergent for the risk of foaming or suds.
Rust stains on cutlery	The affected items are not corrosion resistant.	
	A program was not run after dishwasher salt was added. Traces of salt have got into the wash cycle.	Always run the Quick wash program without any crockery in the dishwasher and without selecting the Turbo function (if present), after adding dishwasher salt.
	The lid of softer is loose.	Check the lip. Ensure the fix is fine.

# TROUBLESHOOTING & WARRANTY

TROUBLE	POSSIBLE CAUSE	POSSIBLE REMEDY
Knocking noise in the wash cabinet	The spray arm is knocking against an item in a basket.	Interrupt the program, and rearrange the items which are obstructing the spray arm.
Rattling noise in the wash cabinet	Item of crockery is insecure in the wash cabinet.	Interrupt the program and rearrange the items of crockery.
Knocking noise in the water pipes	This may be caused by on-site installation or the cross-section of the piping.	This has no influence on dishwasher function. If in doubt, contact a qualified plumber.
The dishes are not clean	The dishes were not loaded correctly.	See notes in "Loading the Dishwasher Baskets"
	The program was not powerful enough.	Select a more intensive program. See "Wash Cycle Table"
	Not enough detergent was dispensed.	Use more or change your detergent.
	Items are blocking the path of spray arms.	Rearrange the items so that the spray can rotate freely.
	The filter combination in the base of wash cabinet is not clean or is not correctly fitted. This may cause the spray arm jets to get blocked.	Clean and/or fit the filter combination correctly. Clean the spray arm jets. See "Cleaning the Spray Arms"
Cloudiness on glassware	Combination of soft water and too much detergent.	Use less detergent if you have soft water and select a shorter cycle to wash the glassware and to get them clean.
Black or gray marks on dishes	Aluminum utensils have rubbed against dishes.	Use a mild abrasive cleaner to eliminate those marks.
Detergent left in dispenser cups	Dishes block detergent cups.	Re-loading the dishes properly.

# TROUBLESHOOTING & WARRANTY

TROUBLE	POSSIBLE CAUSE	POSSIBLE REMEDY
The dishes are not drying	Improper loading	Load the dishwasher as suggested in the directions.
	Too little rinse-aid	Increase the amount of rinse-aid/Refill the rinse-aid dispenser.
	Dishes are removed too soon.	Do not empty your dishwasher immediately after washing. Open the door slightly so that the steam can escape. Begin unloading the dishwasher only once the dishes are barely warm to the touch. Empty the low basket first. This prevents water from dropping off dishes in the upper basket.
	Wrong program selection	In short program the washing temperature is lower. This also lowers cleaning performance. Choose a program with a long washing time.
	Using cutlery with a low-quality coating	Water drainage is more difficult with these items. Cutlery or dishes of this type are not suitable for washing in the dishwasher.

## ERROR CODES

When some malfunctions come on, the appliance will display error codes to warn you:

CODES	MEANINGS	POSSIBLE CAUSE
E1	Longer inlet time.	Faucets is not opened, or water intake is restricted, or water pressure is too low.
E3	Not reaching required temperature.	Malfunction of heating element.
E4	Overflow.	Some element of dishwasher leaks.
Ed	Failure of communication between main PCB with TFT PCB	Open circuit or break of wiring for the communication.

**⚠ WARNING:** If overflow occurs, turn off the main water supply before calling for service.

If there is water in the base pan because of an overflow or small leak, the water should be removed before restarting the dishwasher.

# TROUBLESHOOTING & WARRANTY

## LIMITED WARRANTY

Any repair, replacement, or warranty service, and all questions about this product should be directed to W Appliance Co. at **844-299-0879** from the USA or Puerto Rico.

W Appliance Co. warrants to the original purchaser that the product will be free from defects in material, parts and workmanship for the period designated for this product. The warranty commences the day the product is purchased and covers up to a period of **1 year (12 months) for labor/1 year (12 months) for parts (manufacturing defects only)**.

W Appliance Co. agrees that it will, at its option, replace the defective product with either a new or remanufactured unit equivalent to your original purchase during the warranty period.

**Exclusions:** This warranty does not apply to the below:

1. If the appearance or exterior of the product has been damaged or defaced, altered or modified in design or construction.
2. If the product original serial number has been altered or removed or cannot be readily determined.
3. If there is damaged due to power line surge, user damage to the AC power cord or connection to improper voltage source.
4. If damage is due to general misuse, accidents or acts of God.
5. If repair attempts are done by unauthorized service agents, use of parts other than genuine parts or parts obtained from persons other than authorized service companies.
6. On units that have been transferred from the original owner.
7. On products that have been purchased as refurbished, like new, second-hand, in a "As-Is" or "Final Sale" terms.
8. To products used in a commercial or rental setting.
9. To products used in settings other than ordinary household use or used other than in accordance with the provided instructions.
10. To damages for service calls for improper installations.
11. Transportation and shipping costs associated with the replacement of the unit.
12. Service calls to instruct you how to use your product.
13. Service calls to repair or replace the house fuse, reset the circuit breaker or correct the wiring in the house.

REPAIR OR REPLACEMENT AS PROVIDED UNDER THIS WARRANTY IS THE EXCLUSIVE REMEDY OF THE CUSTOMER; W Appliance Co. SHALL NOT BE LIABLE FOR ANY INCIDENTAL OR CONSEQUENTIAL DAMAGES FOR BREACH OF ANY EXPRESS OR IMPLIED WARRANTY ON THIS PRODUCT, EXCEPT TO THE EXTENT PROHIBITED BY APPLICABLE LAW. ANY IMPLIED WARRANTY OF MERCHANTABILITY OF FITNESS FOR A PARTICULAR PURPOSE ON THIS PRODUCT IS LIMITED TO THE DURATION OF THE WARRANTY.

Some states do not allow the exclusion or limitations of incidental or consequential damages, or limitations on how long the warranty lasts. In these cases the above exclusions or limitations may not apply to you. This warranty gives you specific legal rights and you may also have other rights which vary from state to state.

**Obtaining Service:** To obtain service, product literature, supplies or accessories please call **844-299-0879** to create a ticket for exchange/repair. Please make sure to provide the date of purchase, model number and a brief description of the problem. Our customer service representative will contact you or send detailed return instructions.

W Appliance Co. does not warrant that the appliance will work properly in all environmental conditions, and makes no warranty and representation, either implied or expressed, with respect to the quality, performance, merchantability, or fitness for a particular purpose other than the purpose identified within this user's manual. W Appliance Co. has made every effort to ensure that this user's manual is accurate and disclaims liability for any inaccuracies or omissions that may have occurred. Information in this user's manual is subject to change without notice and does not represent a commitment on the part of W Appliance Co.. W Appliance Co. reserves the right to make improvements to this user's manual and/or to the products described in this user's manual at any time without notice. If you find information in this manual that is incorrect, misleading, or incomplete, please contact us at **844-299-0879**.

W Appliance Co.  
1356 Broadway  
New York, NY 10018



BLACK & DECKER, BLACK+DECKER, the BLACK & DECKER and BLACK+DECKER logos and product names and the orange and black color scheme are trademarks of The Black & Decker Corporation, used under license. All rights reserved.

Product in this box may differ slightly from that pictured. Does not affect function. Not all accessories shown in photography are included in this package.

Imported by W Appliance, Inc., 1356 Broadway, New York, NY 10018